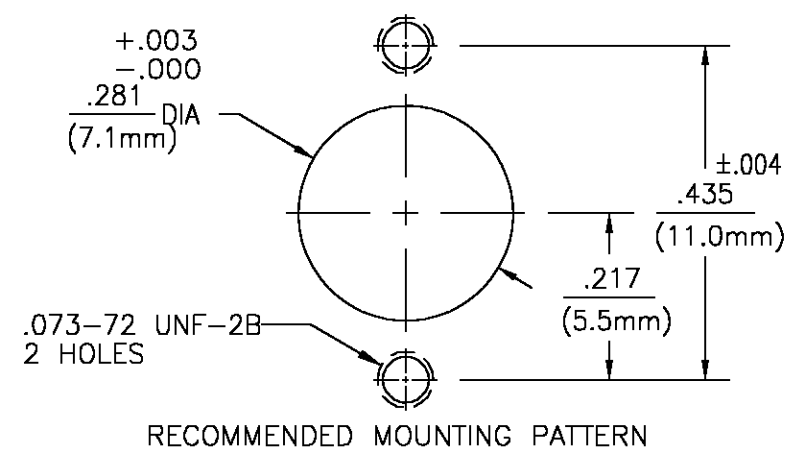
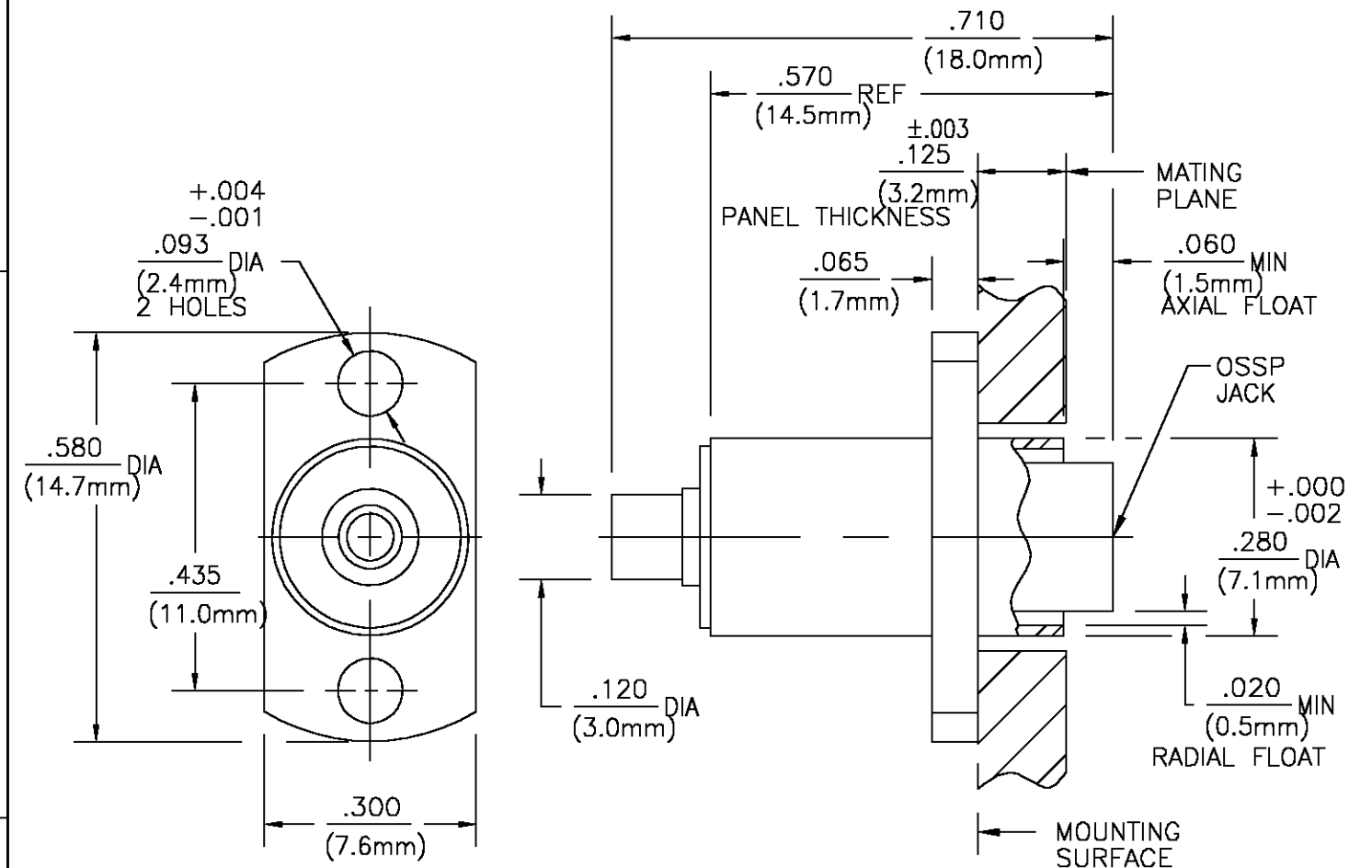


THIS DRAWING IS UNPUBLISHED. RELEASED FOR PUBLICATION
 © COPYRIGHT - BY TYCO ELECTRONICS CORPORATION. ALL RIGHTS RESERVED.

LOC	DIST	REVISIONS					
00	HC	P	LTR	DESCRIPTION	DATE	DWN	APVD
		B		REVISED PER 0S14-0174-03.	13AUG03	JGH	JGH



DESIGNED FOR USE WITH .085 SEMI-RIGID CABLE	
CABLE ENTRY DIAMETER MINIMUM	
CONTACT	.021
HOUSING	.089

ELECTRICAL	MECHANICAL	ENVIRONMENTAL
Nominal Impedance (Ohms) <u>50</u>	Interface Dimensions <u>SEE TYCO ELECTRONICS CATALOG</u>	TEMPERATURE RATING <u>-65° TO +105°C</u>
Frequency Range (GHz) <u>DC to 28</u>	Mating Characteristics:	Vibration MIL-STD-202, Method 204, Condition D
Volt Rating (VRMS MAX) @ Sea Level <u>335</u>	Insertion (MAX Lbs) <u>3</u>	Shock MIL-STD-202, Method 213, Condition I
VSWR <u>1.05+.01f(GHz)</u>	Withdrawal (MIN Oz) <u>0.5</u>	Thermal Shock MIL-STD-202, Method 107, Condition B
Insertion Loss (dB MAX) <u>.04x√f(GHz)</u>	Force to Engage (Lbs MAX) <u>3</u> & Disengage (Lbs MAX) <u>1.5</u>	Moisture Resistance MIL-STD-202, Method 106
RF Leakage (dB MIN) (Interface Only, Fully Mated) <u>-(90-f(GHz))</u>	Center Contact Captivation	Corrosion - MIL-STD-202, Method 101, Condition B
Corona, 70,000 Ft (VRMS MIN) <u>250</u>	Axial (Lbs) <u>4</u>	
Dielectric Withstanding Voltage (VRMS MIN) @ Sea Level <u>675</u>	Cable Retention	
Contact Resistance (Milliohms MAX)	Axial Force (Lbs MIN) <u>30</u>	
Center Contact <u>6.0</u>	Torque (In/Oz MIN) <u>16</u>	
Outer Contact <u>3.0</u>		
Cable to Housing <u>0.5</u>		
RF High Potential @ Sea Level (VRMS MIN @ 5 MHz) <u>675</u>		
I.R.(Megohms MIN) <u>5000</u>		

COMPONENT	MATERIAL	FINISH
OUTER HOUSING FLAT WASHER	STAINLESS STEEL PER ASTM-A484 AND ASTM-A582, TYPE 303	PASSIVATE PER ASTM-A380
INNER HOUSING	STAINLESS STEEL PER ASTM-A484 AND ASTM-A582,TYPE 303	GOLD PLATE PER MIL-G-45204 OVER NICKEL PLATE PER QQ-N-290
DIELECTRIC	TFE FLUOROCARBON PER ASTM-D-1457	N/A
CENTER CONTACT	BERYLLIUM COPPER PER ASTM B 196, ALLOY C17300, CONDITION H	GOLD PLATE PER MIL-G-45204 OVER COPPER PLATE PER MIL-C-14550
CONTACT SLEEVE	BERYLLIUM COPPER PER ASTM B 196, ALLOY C17300, CONDITION H	GOLD PLATE PER MIL-G-45204 OVER NICKEL PLATE PER QQ-N-290
SPRING	STAINLESS STEEL	PASSIVATED
RETAINING RING	STAINLESS STEEL	PASSIVATED
CONTACT RING	BERYLLIUM COPPER PER ASTM B 194, ALLOY C17200, CONDITION H	GOLD PLATE PER MIL-G-45204 OVER COPPER PLATE PER MIL-C-14550

THIS DRAWING IS A CONTROLLED DOCUMENT.		DWN P. VACCARO 8-10-85	Tyco Electronics Corporation Harrisburg, PA 17105-3608	
		CHK J. HAVENER 13AUG03		
		APVD J. HAVENER 13AUG03	NAME OOSP 2 HOLE FLANGE MOUNT FLOATING CABLE JACK - DIRECT SOLDER ATTACHMENT (4706-7985-02)	
DIMENSIONS: INCHES/mm (REF)		TOLERANCES UNLESS OTHERWISE SPECIFIED:		PRODUCT SPEC 408-8293
		0 PLC ± -		APPLICATION SPEC
		1 PLC ± -		WEIGHT -
MATERIAL SEE TABLE		FINISH SEE TABLE		SIZE A3
				CAGE CODE 00779
				DRAWING NO C-1059868-1
				RESTRICTED TO -
		CUSTOMER DRAWING		SCALE 4:1
				SHEET 1 OF 1
				REV B

单击下面可查看定价，库存，交付和生命周期等信息

[>>TE Connectivity\(泰科\)](#)