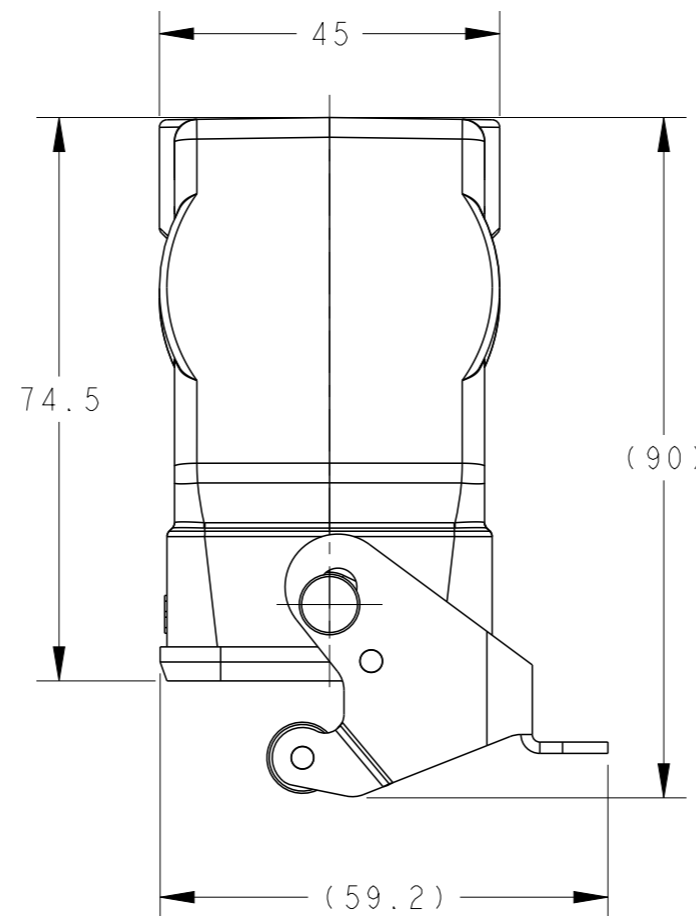
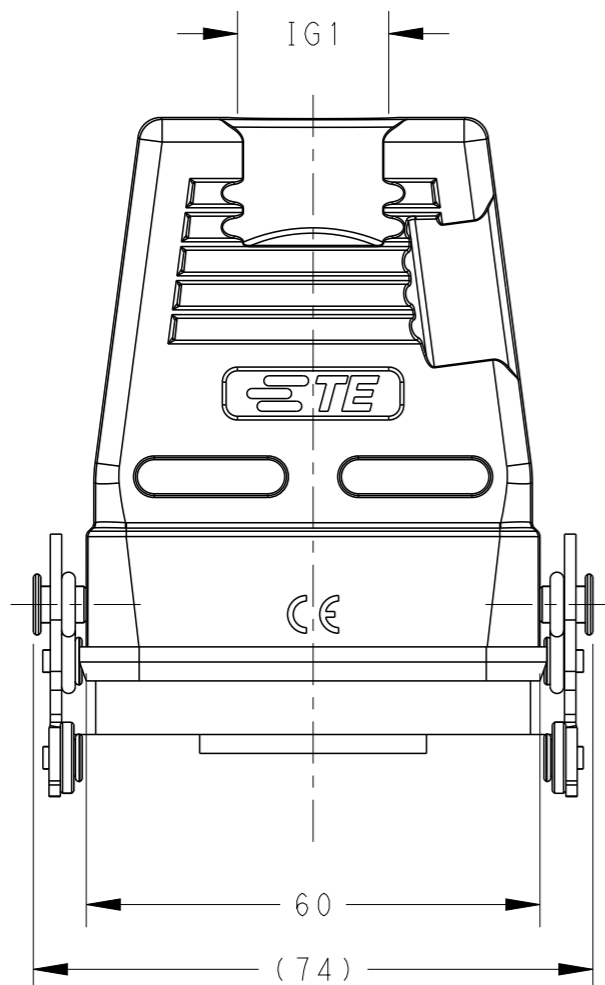


THIS DRAWING IS UNPUBLISHED. RELEASED FOR PUBLICATION 20
 © COPYRIGHT 20 BY - ALL RIGHTS RESERVED.

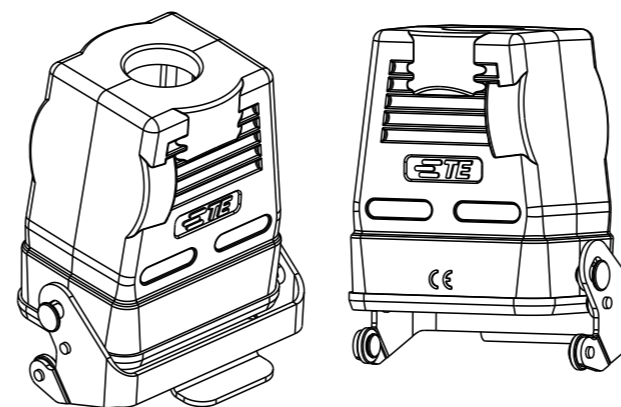
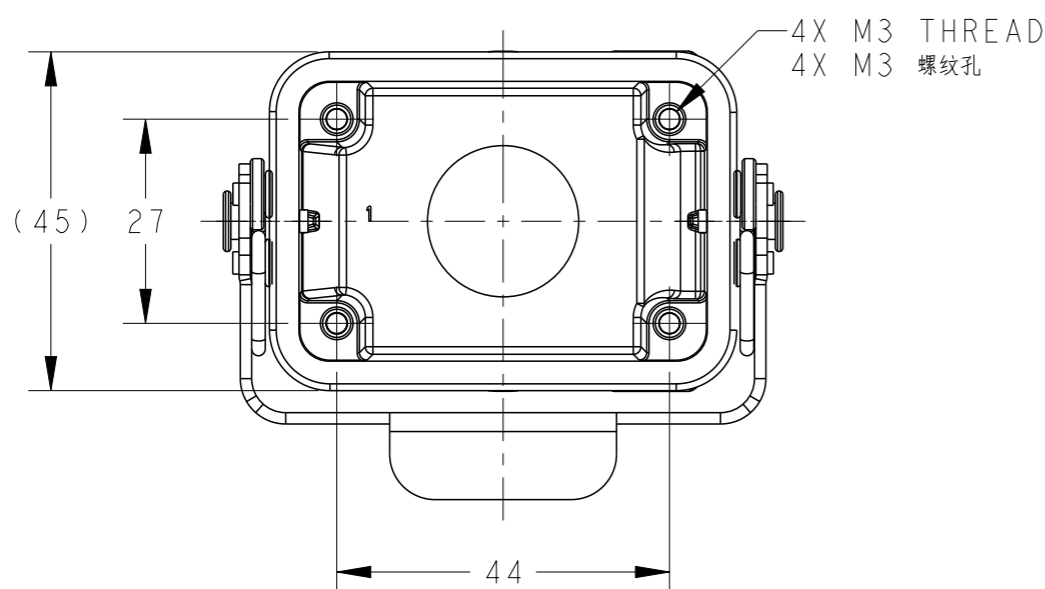
REVISIONS

P	LTR	DESCRIPTION	DATE	DWN	APVD
	A	INITIAL	23JUN2015	DW	CW
	A1	ECR-15-012067	10AUG2015	DW	CW
	B	ECR-20-007968	22JUN2020	WQR	CW




NOTES:
 1. TECHNICAL CHARACTERISTICS:
 HOOD MATERIAL: DIE CAST ALUMINIUM ALLOY
 SURFACE: POWDER COATED, GREY
 DEGREE OF PROTECTION: IP65 (MATED)

注释:
 1. 技术参数:
 电缆对接下壳材料: 铝合金
 表面处理: 粉末涂层, 灰色
 防护等级: IP65(配合)



SCALE 1:2

T1770062120-000	H6B-TBFHS-M20	M20
T1770062121-000	H6B-TBFHS-PG21	PG21
T1770062125-000	H6B-TBFHS-M25	M25
T1770062129-000	H6B-TBFHS-PG29	PG29
T1770062132-000	H6B-TBFHS-M32	M32
PART NUMBER	DESCRIPTION	IG1

THIS DRAWING IS A CONTROLLED DOCUMENT.		DWN 23JUN2015 David Wang	 TE Connectivity		
DIMENSIONS: mm		CHK 23JUN2015 Chris Wang			
TOLERANCES UNLESS OTHERWISE SPECIFIED:		APVD 23JUN2015 Xiang Xu	NAME H6B-TBFHS-M/PG		
0 PLC ±- 1 PLC ±- 2 PLC ±- 3 PLC ±- 4 PLC ±- ANGLES ±-		PRODUCT SPEC 108-137013	RESTRICTED TO		
MATERIAL		APPLICATION SPEC 114-137013	SIZE A3	CAGE CODE 00779	DRAWING NO T17700621XX000
FINISH		WEIGHT	SCALE 1:1		
		Customer Drawing	SHEET 1 OF 1		
			REV B		

单击下面可查看定价，库存，交付和生命周期等信息

[>>TE Connectivity\(泰科\)](#)