

THIS DRAWING IS UNPUBLISHED.

RELEASED FOR PUBLICATION

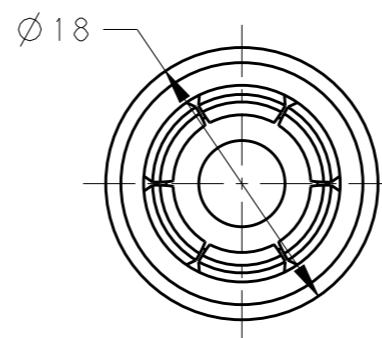
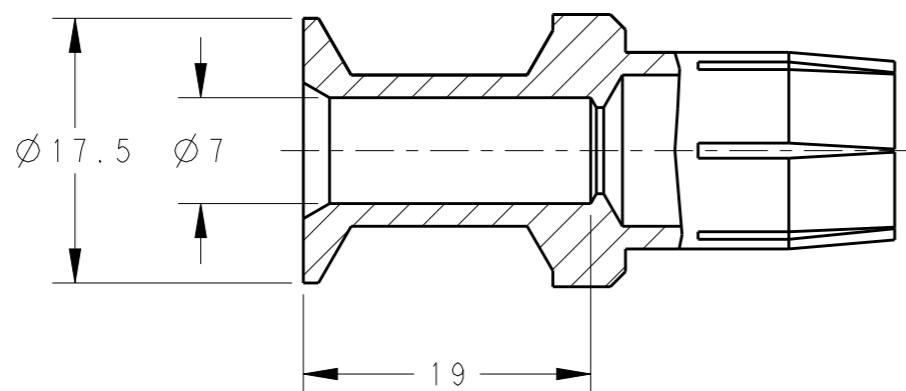
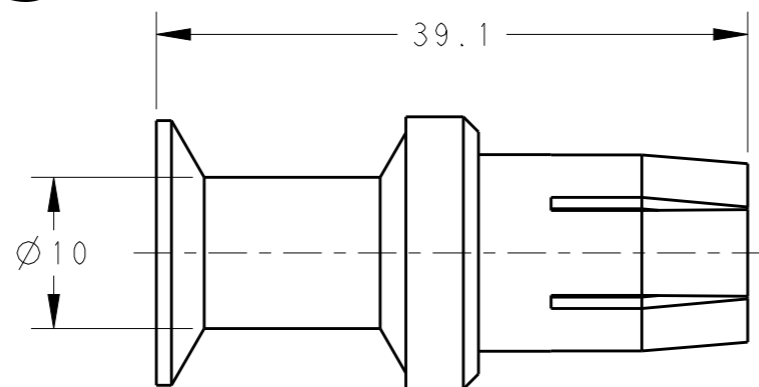
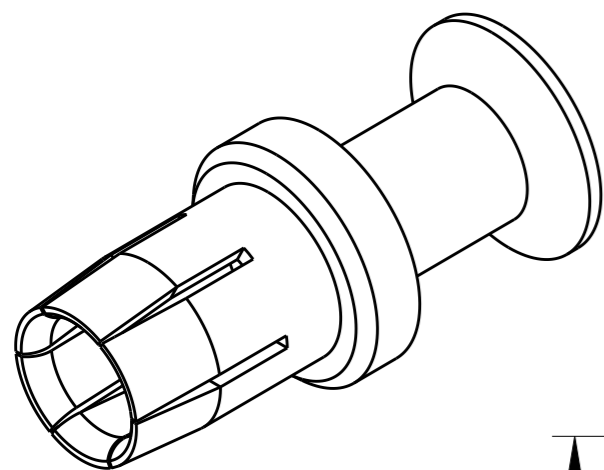
20

© COPYRIGHT 20 BY -

ALL RIGHTS RESERVED.

REVISIONS

P	LTR	DESCRIPTION	DATE	DWN	APVD
	A	INITIAL	11MAY2015	DW	CW
	A1	ECR-17-018349	14DEC2017	DW	CW



NOTES:

- 1. TECHNICAL CHARACTERISTICS:
 CONTACT MATERIAL: BRASS
 SURFACE PLATING:
 SILVER PLATING: $\geq 2\mu\text{m}$
 CONTACT RESISTANCE: $\leq 0.5\text{m}\Omega$
 WIRE RANGE: 25 mm²
 OPERATION TEMPERATURE: -40~+125°C

注释:

- 1. 技术参数:
 公针材料: 黄铜
 表面电镀:
 镀银: $\geq 2\mu\text{m}$
 接触电阻: $\leq 0.5\text{m}\Omega$
 接线范围: 25 mm²
 工作温度: -40~+125°C

T2060002025-000	CHF-25	CHF-25, SILVER PLATING HMN-001母针 25mm ² , 镀银	25	19
PART NUMBER 料号	PART DESCRIPTION 描述		WIRE GAUGE (mm ²) 线规 (mm ²)	STRIPPING LENGTH (mm) 剥线长度 (mm)
THIS DRAWING IS A CONTROLLED DOCUMENT.		DWN 11MAY2015 David Wang		
DIMENSIONS: mm		CHK 11MAY2015 Chris Wang		
TOLERANCES UNLESS OTHERWISE SPECIFIED:		APVD 11MAY2015 Xiang Xu	NAME CHF-25 HM SOCKET CONTACT	
0 PLC ±-		PRODUCT SPEC 108-137057	SIZE CAGE CODE DRAWING NO RESTRICTED TO	
1 PLC ±-		APPLICATION SPEC 114-137057	A300779 C-T2060002025000 -	
2 PLC ±-		WEIGHT -	SCALE 2:1 SHEET 1 OF 1 REV A1	
3 PLC ±-		Customer Drawing		
4 PLC ±-				
ANGLES ±-				
FINISH -				
MATERIAL -				

单击下面可查看定价，库存，交付和生命周期等信息

[>>TE Connectivity\(泰科\)](#)