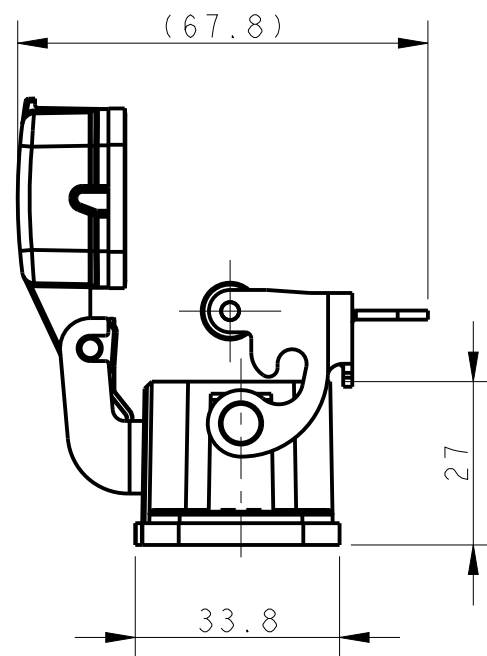
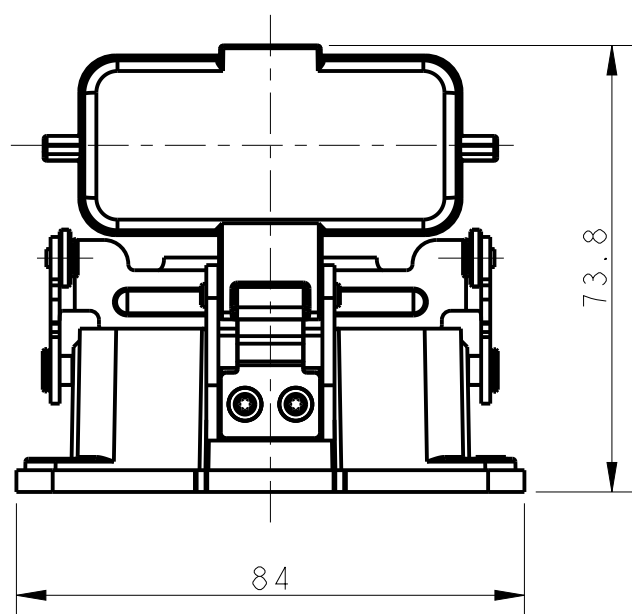


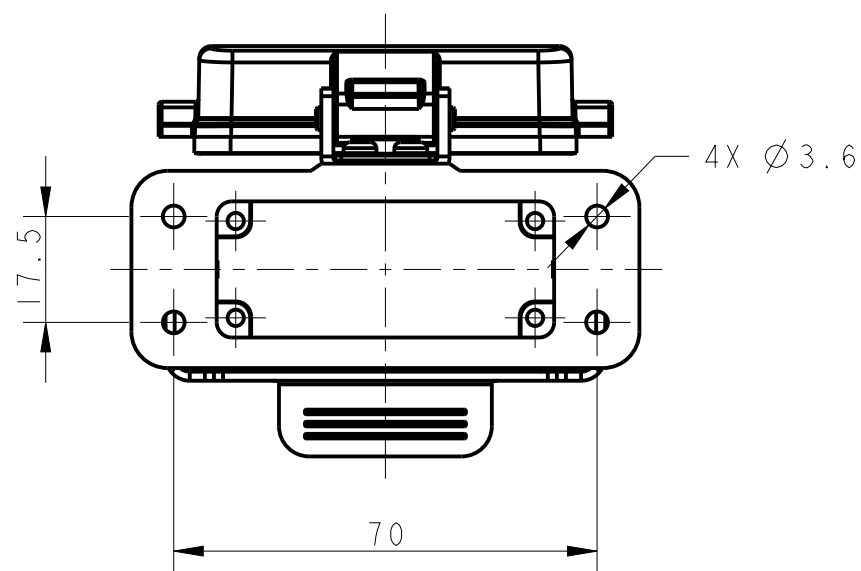
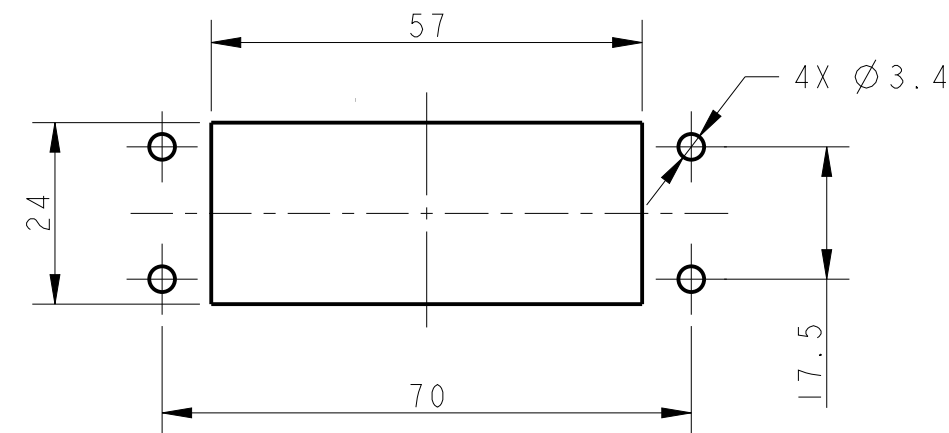
REVISIONS					
P	LTR	DESCRIPTION	DATE	DWN	APVD
A		INITIAL RELEASE	25JUN2019	WQR	CW
B		ECR-20-008424	14DEC2020	BS	CW

NOTES:
 1. TECHNICAL CHARACTERISTICS:
 HOUSING MATERIAL: DIE CAST ALUMINIUM ALLOY
 HOUSING SURFACE: CONDUCTIVE PAINTING
 HOUSING SURFACE COLOR: TRANSPARENCY
 DEGREE OF PROTECTION: IP65 (MATED)

注释:
 1. 技术参数:
 下壳材料: 铝合金
 下壳表面处理: 喷导电漆
 下壳表面处理颜色: 透明
 防护等级: IP65(配合)



PANEL CUT OUT
 布局定位参考尺寸图



T1516101000-000	H10A-ADMS-EMC	H10A EMC HOUSING, BULKHEAD MOUNTED, STAINLESS STEEL SINGLE LOCKING, METAL PROTECTION COVER H10A屏蔽下壳, 开孔安装, 不锈钢单扣, 带金属保护盖
PART NUMBER 零件料号	PART DESCRIPTION 零件描述	

THIS DRAWING IS A CONTROLLED DOCUMENT.		DWN WENQING RAO 25JUN2019		
DIMENSIONS: mm		CHK GINO YAO 25JUN2019		
TOLERANCES UNLESS OTHERWISE SPECIFIED:		APVD CHRIS WANG 25JUN2019	NAME H10A-ADMS-EMC	
0 PLC ±-		PRODUCT SPEC	SIZE	
1 PLC ±-		APPLICATION SPEC	CAGE CODE	
2 PLC ±-			DRAWING NO	
3 PLC ±-			RESTRICTED TO	
4 PLC ±-			A3 - C-T1516101000000	
ANGLES ±-			SCALE 1:1	
MATERIAL		WEIGHT	SHEET 1 OF 1	
FINISH		CUSTOMER DRAWING	REV B	

单击下面可查看定价，库存，交付和生命周期等信息

[>>TE Connectivity\(泰科\)](#)