

THIS DRAWING IS UNPUBLISHED.

RELEASED FOR PUBLICATION

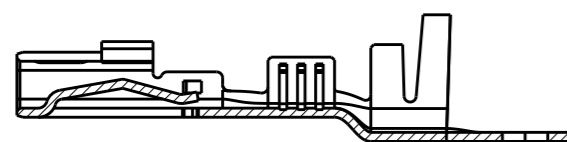
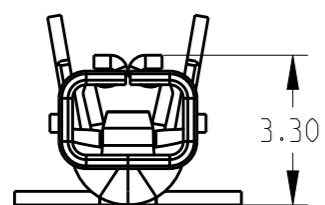
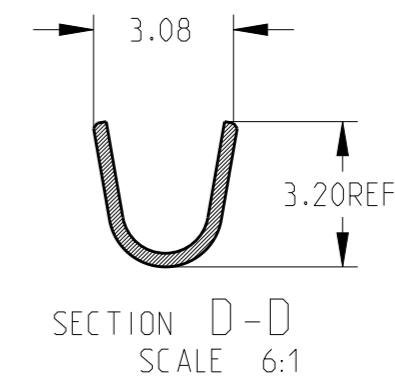
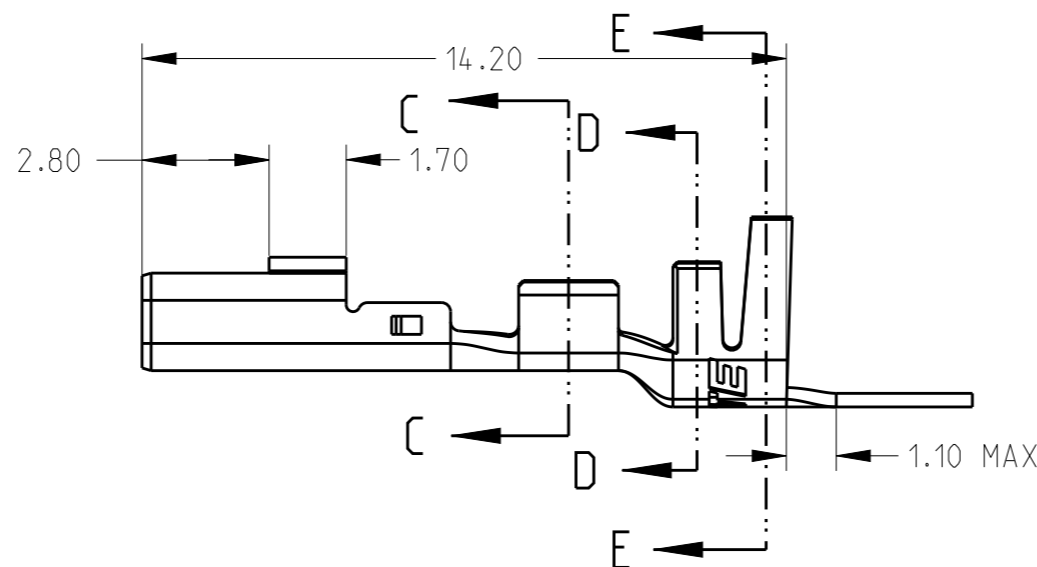
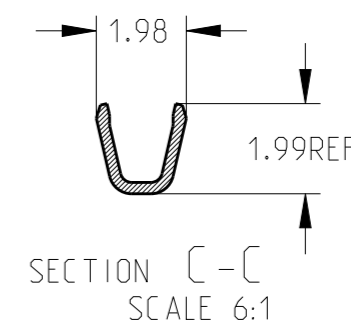
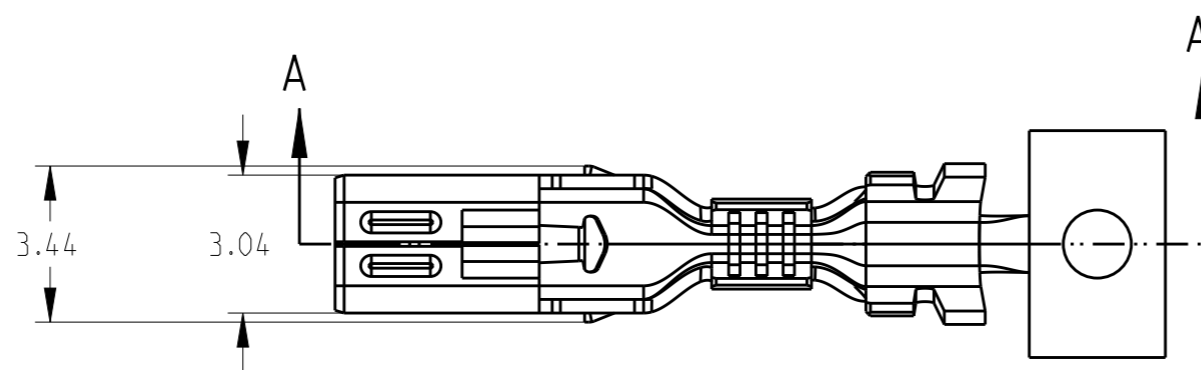
© COPYRIGHT 19 BY -

ALL RIGHTS RESERVED.

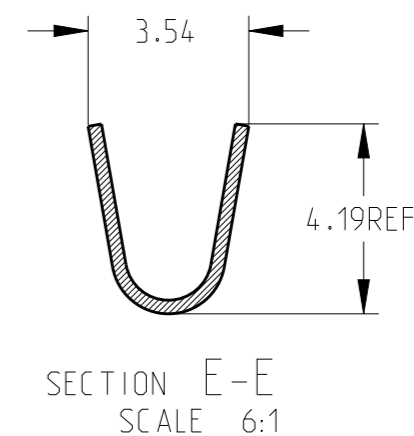
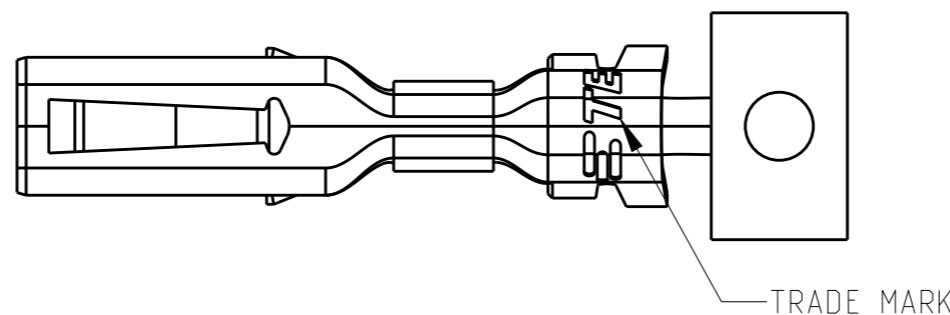
LOC ES DIST 00

REVISIONS

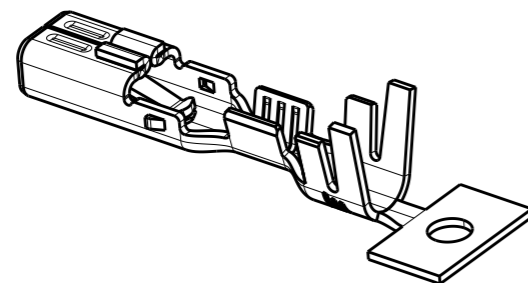
P	LTR	DESCRIPTION	DATE	DWN	APVD
	A2	REVISED PER ECR-19-003481	19JUN19	N.L	D.Z



SECTION A-A




SECTION E-E SCALE 6:1



NOTE:  
 1.MATERIAL:COPPER ALLOY,PRE-TINNED  
 2.APPLICABLE HOUSING P/N:1983658-\*, 1983659-\*, 1983660-  
 3.APPLICABLE WIRE RANGE:22-26AWG

4000PCS/REEL	3-1983664-1
5000PCS/REEL	1983664-1
UNIT PKG QTY	PART NO.

THIS DRAWING IS A CONTROLLED DOCUMENT.		DWN LEO LIU 24AUG2011	 TE Connectivity
DIMENSIONS: mm		CHK WU HAPYE 24AUG2011	
TOLERANCES UNLESS OTHERWISE SPECIFIED:		APVD FRIC KONG 24AUG2011	
0 PLC ±1.0 1 PLC ±1.0 2 PLC ±0.50 3 PLC ±0.300 4 PLC ±0.2000 ANGLES ±		NAME	
MATERIAL -		PRODUCT SPEC 108-106071	REC. CONTACT MULTI 6P CONNECTOR
FINISH -		APPLICATION SPEC 114-106071	SIZE A3
		WEIGHT -	CAGE CODE -
		CUSTOMER DRAWING	DRAWING NO C=1983664
			RESTRICTED TO
			SCALE N/A SHEET 1 OF 1 REV A2

单击下面可查看定价，库存，交付和生命周期等信息

[>>TE Connectivity\(泰科\)](#)