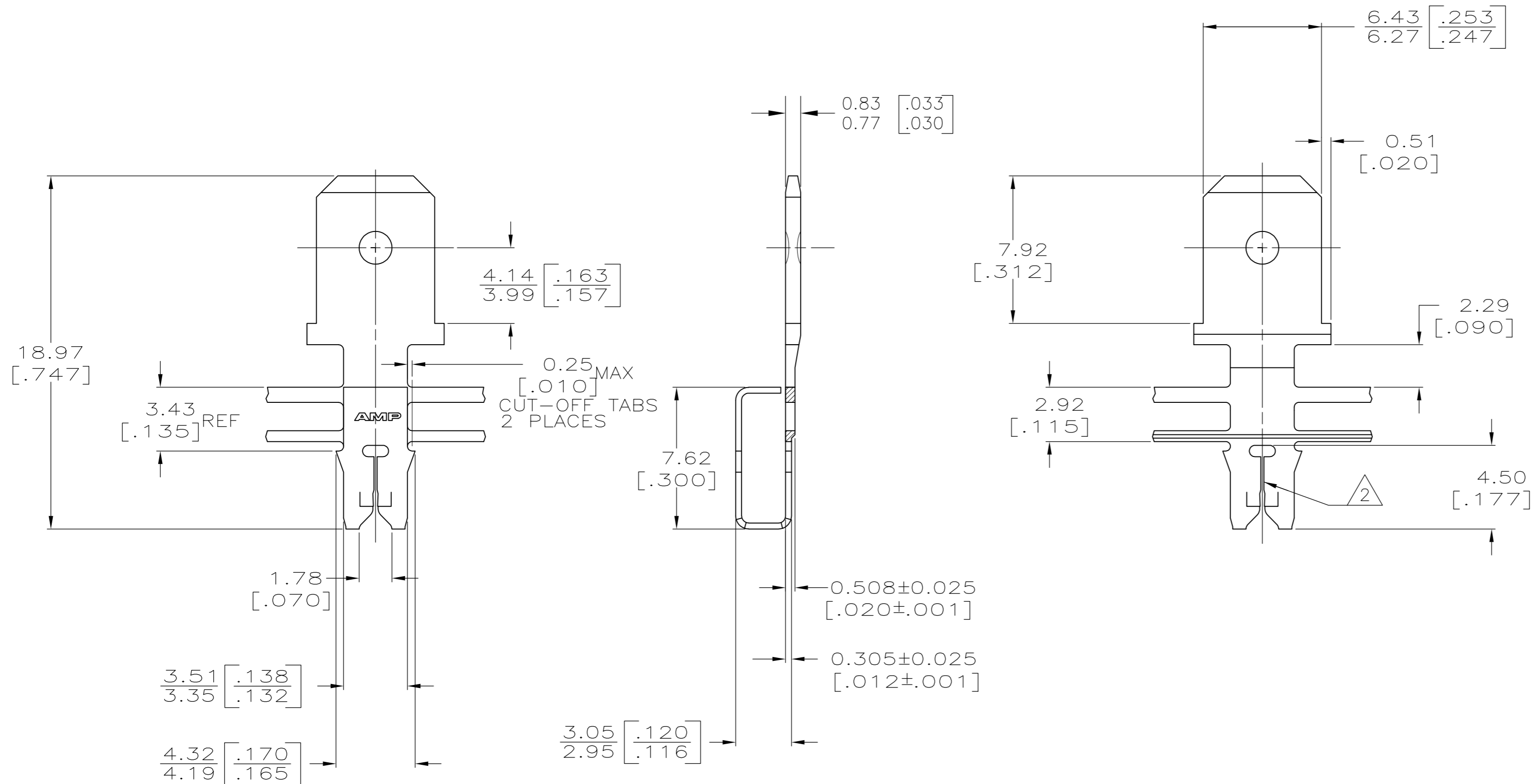


THIS DRAWING IS UNPUBLISHED. RELEASED FOR PUBLICATION
 © COPYRIGHT - By TE CONNECTIVITY ALL RIGHTS RESERVED.

REVISIONS				
P	LTR	DESCRIPTION	DATE	APVD
	AF	DRAWING CLARIFICATION	17NOV2016	SV PKS



- CONTINUOUS STRIP ON REELS WITH TERMINALS LOCATED ON 8.38 [.330] CENTERS.
- SLOT TERMINATES EITHER SINGLE OR DOUBLE MAGNET WIRES OF THE SAME TYPE AND SIZE, COPPER RANGE IS 0.25-0.36mm [#30-#27] AWG. ALUMINUM RANGE IS 0.32-0.45mm [#28-#25] AWG. ALUMINUM WIRE RANGE APPLIES FOR POST-TIN PLATED VERSIONS ONLY.
- AFTER INSERTION INTO PLASTIC HOLDER TAB PORTION MUST BE BENT OVER 45° TO 90° OR POTTED-IN TO PREVENT PULL-OUT WHEN MATING RECEPTACLE IS DISCONNECTED.



62651-1
PART NO

THIS DRAWING IS A CONTROLLED DOCUMENT.		DWN 12/12/90 MICHAEL S. FEHER		
		CHK 12/20/90 JEFF R. RUTH		
		APVD 12/20/90 NELSON E. NEFF	NAME	
DIMENSIONS: mm(INCHES)		PRODUCT SPEC		TAB, 6.35 [.250] FASTON™ MAG-MATE™
TOLERANCES UNLESS OTHERWISE SPECIFIED:		APPLICATION SPEC		
0 PLC ± -		108-2012		
1 PLC ± -		114-2046		
2 PLC ± 0.25 [.010]		WEIGHT 0		SIZE A2
3 PLC ± -		CUSTOMER DRAWING		CAGE CODE 00779
4 PLC ± -		SCALE 5:1		DRAWING NO C=62651
ANGLES ± -		SHEET 1 of 1		RESTRICTED TO -
FINISH TIN PLATE		REV AF		

单击下面可查看定价，库存，交付和生命周期等信息

[>>TE Connectivity\(泰科\)](#)