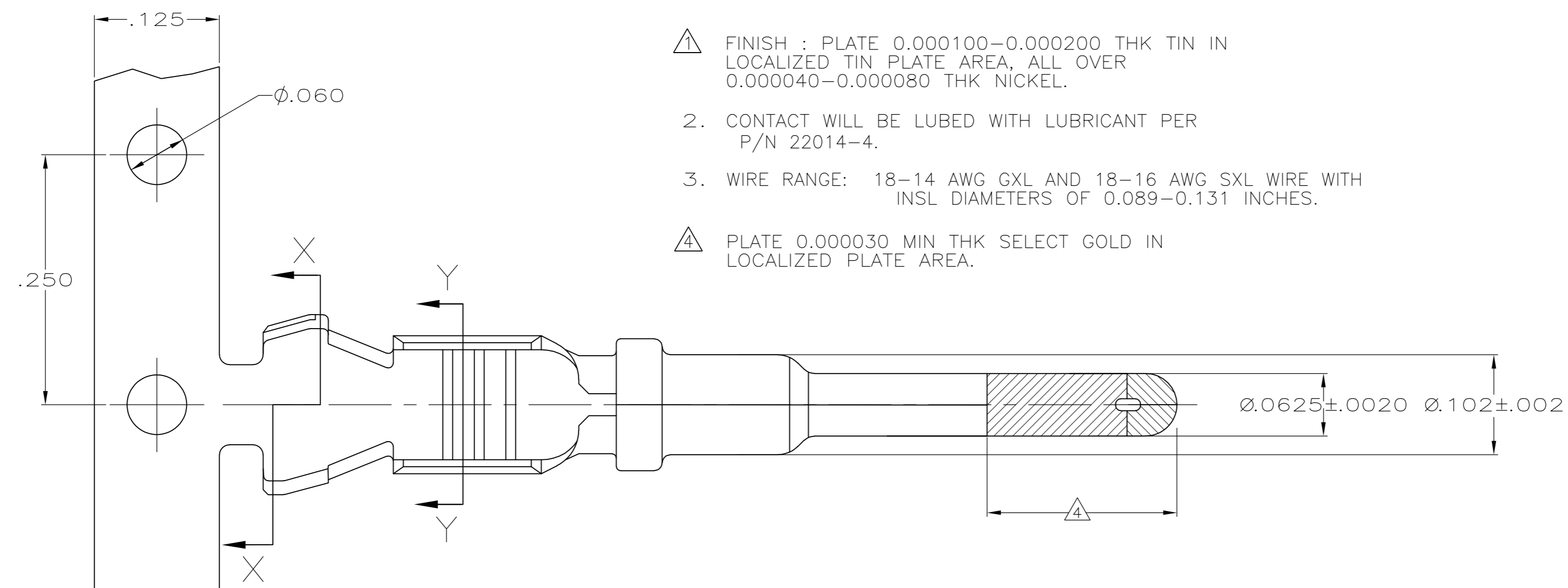
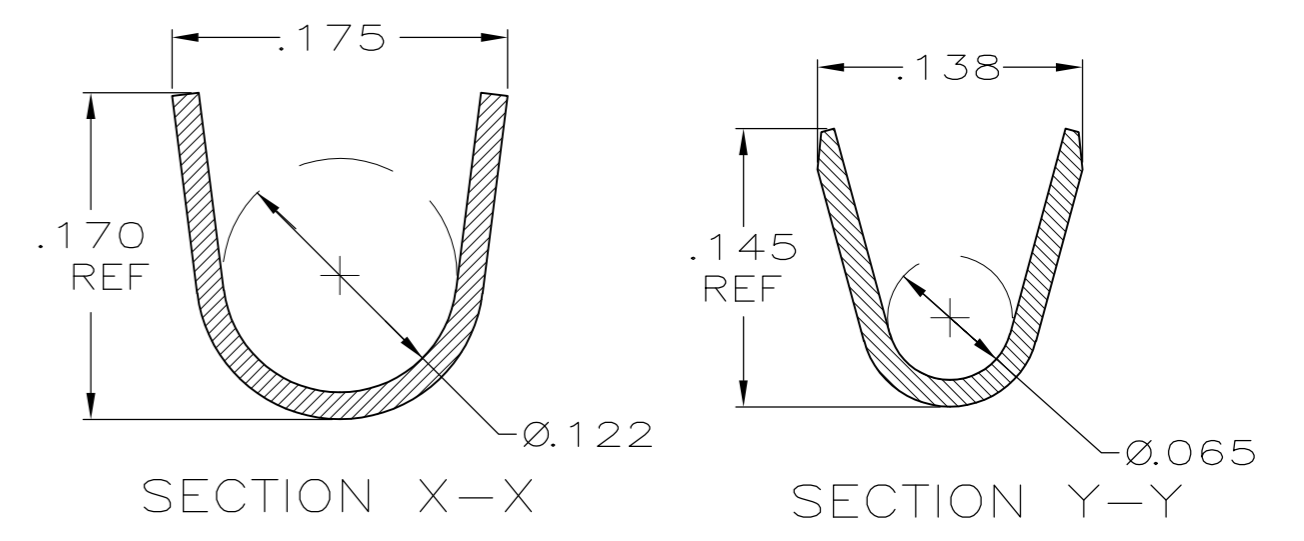
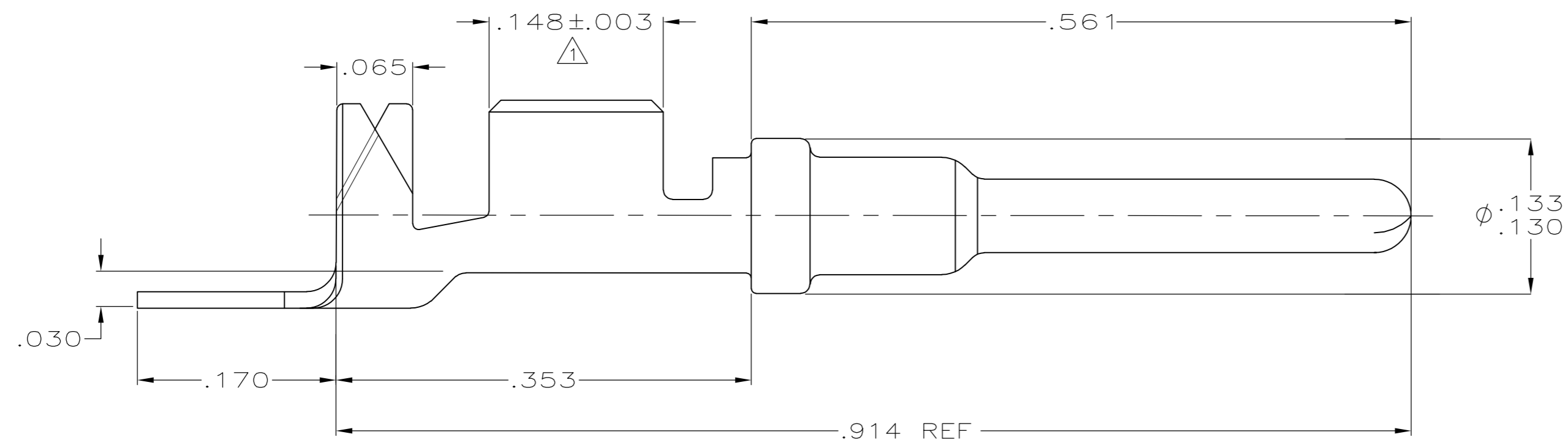


THIS DRAWING IS UNPUBLISHED. RELEASED FOR PUBLICATION
 © COPYRIGHT - By - ALL RIGHTS RESERVED.

LOC	DIST	REVISIONS					
GE	33	P	LTR	DESCRIPTION	DATE	DWN	APVD
		E2		REVISED PER ECO-11-005030	11MAR11	RK	HMR



- 1. FINISH : PLATE 0.000100-0.000200 THK TIN IN LOCALIZED TIN PLATE AREA, ALL OVER 0.000040-0.000080 THK NICKEL.
- 2. CONTACT WILL BE LUBED WITH LUBRICANT PER P/N 22014-4.
- 3. WIRE RANGE: 18-14 AWG GXL AND 18-16 AWG SXL WIRE WITH INSL DIAMETERS OF 0.089-0.131 INCHES.
- 4. PLATE 0.000030 MIN THK SELECT GOLD IN LOCALIZED PLATE AREA.



1	638078-3
1 4	638078-1

THIS DRAWING IS A CONTROLLED DOCUMENT.		DWN P. YEAGER 6-13-97	STE TE Connectivity	
DIMENSIONS: INCHES		CHK W LONG 6-13-97		
TOLERANCES UNLESS OTHERWISE SPECIFIED:		APVD W LONG 6-13-97	NAME PIN CONTACT	
0 PLC ± -		PRODUCT SPEC	-	
1 PLC ± -		APPLICATION SPEC	-	
2 PLC ± .02		WEIGHT -	SIZE A2	CAGE CODE 00779
3 PLC ± .005		CUSTOMER DRAWING	DRAWING NO C=638078	RESTRICTED TO -
4 PLC ± -		SCALE 10:1	SHEET 1 of 1	REV E2
ANGLES ± -				
FINISH -				
MATERIAL 0.014 TK CU ALLOY				

单击下面可查看定价，库存，交付和生命周期等信息

[>>TE Connectivity\(泰科\)](#)