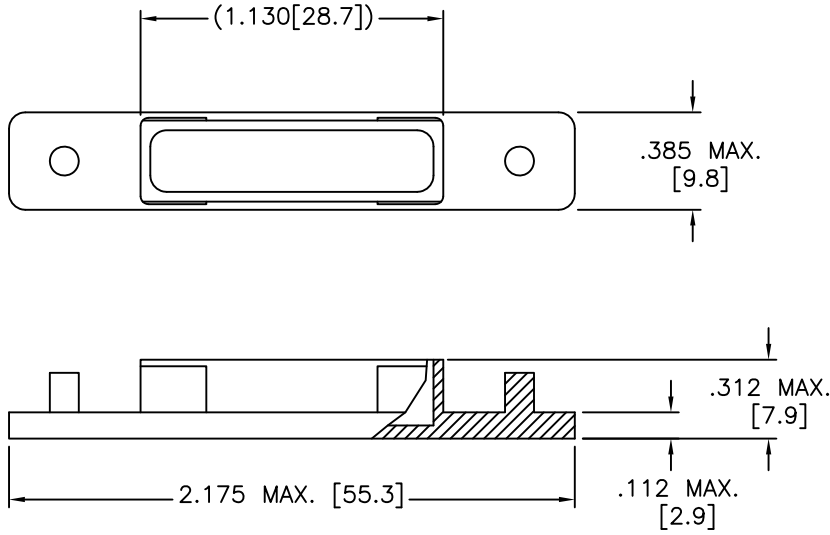
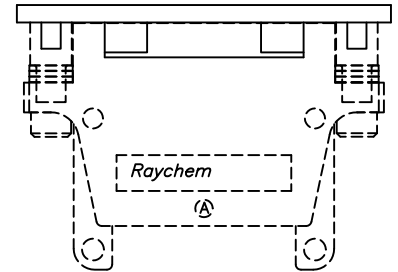


THIS DRAWING AND THE INFORMATION SET FORTH HEREON ARE THE PROPERTY OF TYCO ELECTRONICS CORPORATION AND ARE TO BE HELD IN TRUST AND CONFIDENCE. PUBLICATION, DUPLICATION, DISCLOSURE OR USE FOR ANY PURPOSE NOT EXPRESSLY AUTHORIZED IN WRITING BY TYCO ELECTRONICS CORPORATION IS PROHIBITED.

REVISIONS			
LTR	DESCRIPTION	DATE	APPROVED
N/C	INITIAL RELEASE	10-17-77	CRN
A	PER ECO-10-022842	Nov/8/2010	M.HIGGY



VIEW SHOWING TYPICAL
INSTALLATION



RECEPTACLE CONNECTOR

NOTES:

1. THIS PART IS USED WITH MTC SERIES 1 INCH RECEPTACLE CONNECTORS.
2. MATERIAL: PETROTHENE NA860008
LDPE POLYETHYLENE RESIN
COLOR RED.
3. WEIGHT: 0.003 Lbs. [1.34 gm.] MAXIMUM.

If this document is printed it becomes uncontrolled. Check for the latest revision

©2010 Tyco Electronics Corporation. All rights reserved.

CUSTOMER DRAWING

UNLESS OTHERWISE SPECIFIED
DIMENSIONS ARE IN INCHES.
METRIC DIMENSIONS ARE
IN BRACKETS.

DECIMALS

.XXX ± 0.005 [0.13 mm]
.XX ± [mm]
.X ± [mm]

ANGLES

.X ±

DRAWN	ZSOFIA.ORBAN	Oct/26/2010
CHECKED		
APPROVED	M.HIGGY	Oct/26/2010
FINISH:	AS MOLDED	
CAD NAME:	D-659-0059	

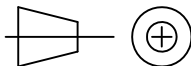


Tyco Electronics

Raychem Interconnect
300 Constitution Drive
Menlo Park, CA 94025 U.S.A

TITLE
CAP, DUST, 1 INCH RECEPTACLE
MTC SERIES CONNECTOR
POLYETHYLENE LOW DENSITY, RED

THIRD ANGLE
PROJECTION



SIZE	CAGE CODE:	DWG. NO.	REV:
A	06090	D-659-0059	A

单击下面可查看定价，库存，交付和生命周期等信息

[>>TE Connectivity\(泰科\)](#)