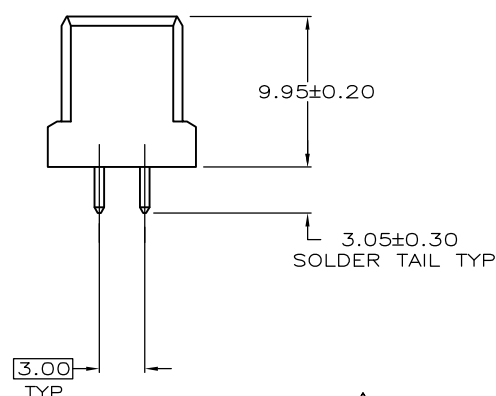
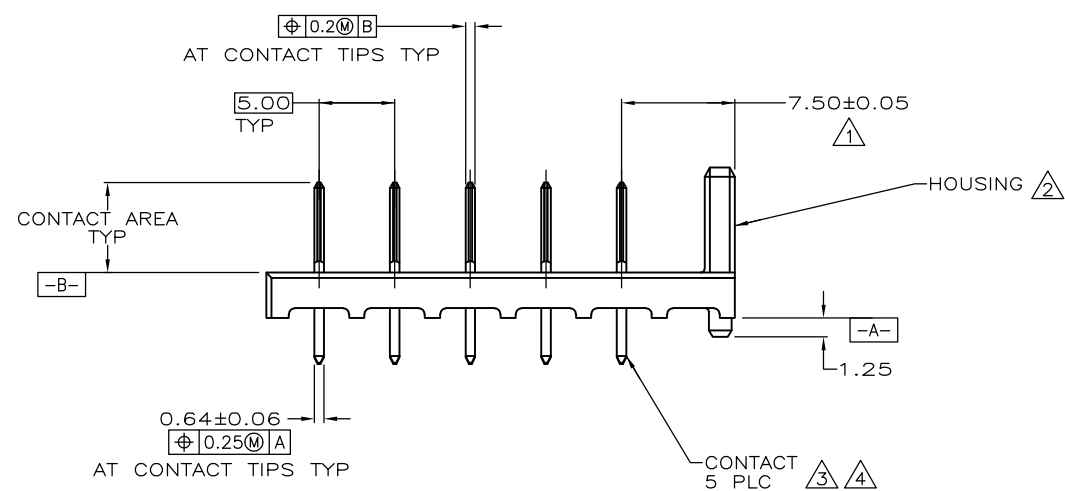
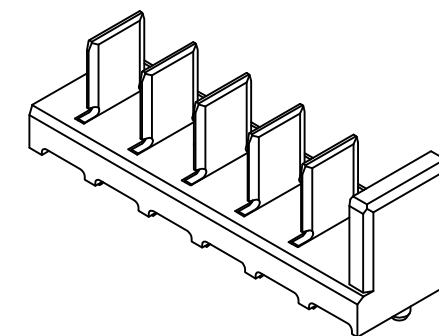
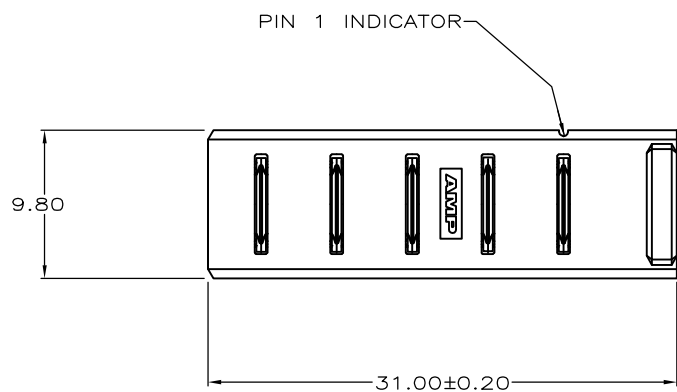
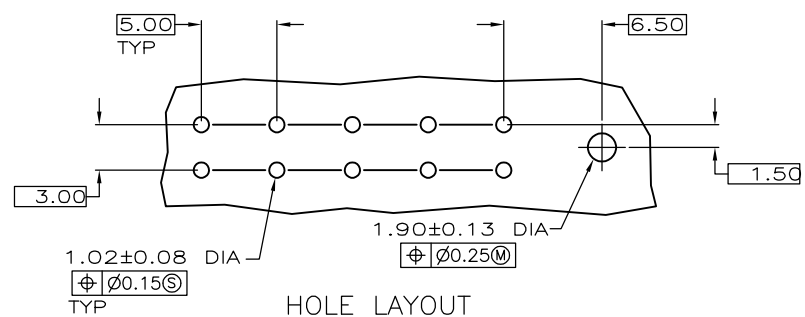


THIS DRAWING IS UNPUBLISHED. RELEASED FOR PUBLICATION
 © COPYRIGHT - By - ALL RIGHTS RESERVED.

LOC	DIST	REVISIONS			
P	LTR	DESCRIPTION	DATE	DWN	APVD
ES	00	A1	REVISED PER ECO-11-005033	29MAR11	RK HMR



- ① COORDINATE DIMENSION APPLIES FROM CENTER OF ACTUAL FEATURE.
- ② HOUSING: POLYPHTHALAMIDE, COLOR BLACK.
- ③ CONTACTS: BRASS
- ④ 2.54um MIN TIN ON SOLDER TAIL OVER 1.90um MIN NICKEL ALL OVER.



5787430-1
PART NO

THIS DRAWING IS A CONTROLLED DOCUMENT.		DWN S.KLINE 03/09/95	TE Connectivity				
DIMENSIONS: mm		CHK S.KLINE 03-15-95					
TOLERANCES UNLESS OTHERWISE SPECIFIED:		APVD S.KLINE 03-15-95	NAME				
0 PLC ± -		PRODUCT SPEC	HEADER ASSEMBLY, VERTICAL,				
1 PLC ± -		APPLICATION SPEC	5mm ϕ , 5 POSN, SINGLE KEY, STRAIGHT				
2 PLC ± 0.13		108-1501	SOLDER TAIL, 12V, BATTERY INTERCONNECT				
3 PLC ± -		114-24005	SIZE	CAGE CODE	DRAWING NO	RESTRICTED TO	
4 PLC ± -		FINISH	WEIGHT	A3	00779	C-5787430	-
ANGLES ± -	② ③		CUSTOMER DRAWING		SCALE 3:1	SHEET 1 OF 1	REV A1

单击下面可查看定价，库存，交付和生命周期等信息

[>>TE Connectivity\(泰科\)](#)