

THIS DRAWING IS UNPUBLISHED.

RELEASED FOR PUBLICATION

20

© COPYRIGHT 20 BY -

ALL RIGHTS RESERVED.

REVISIONS

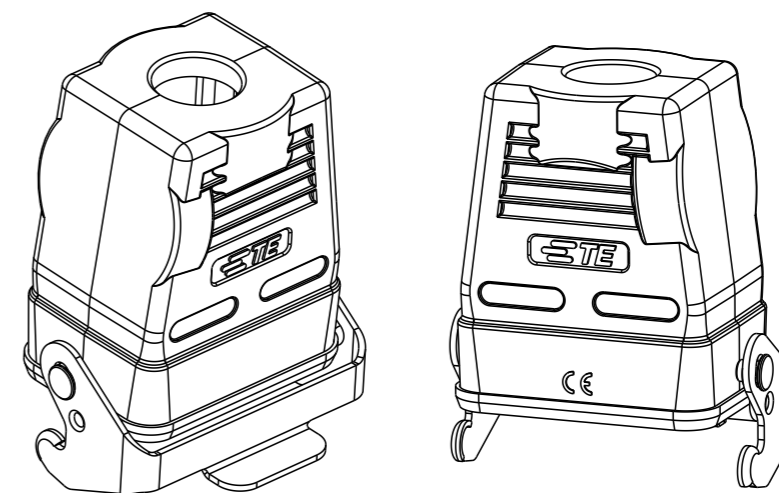
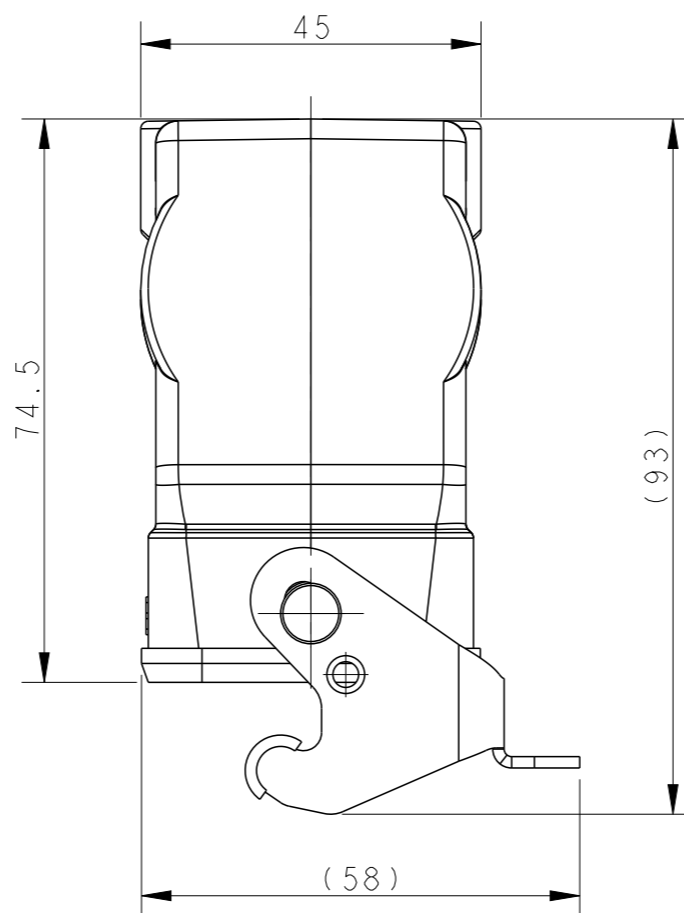
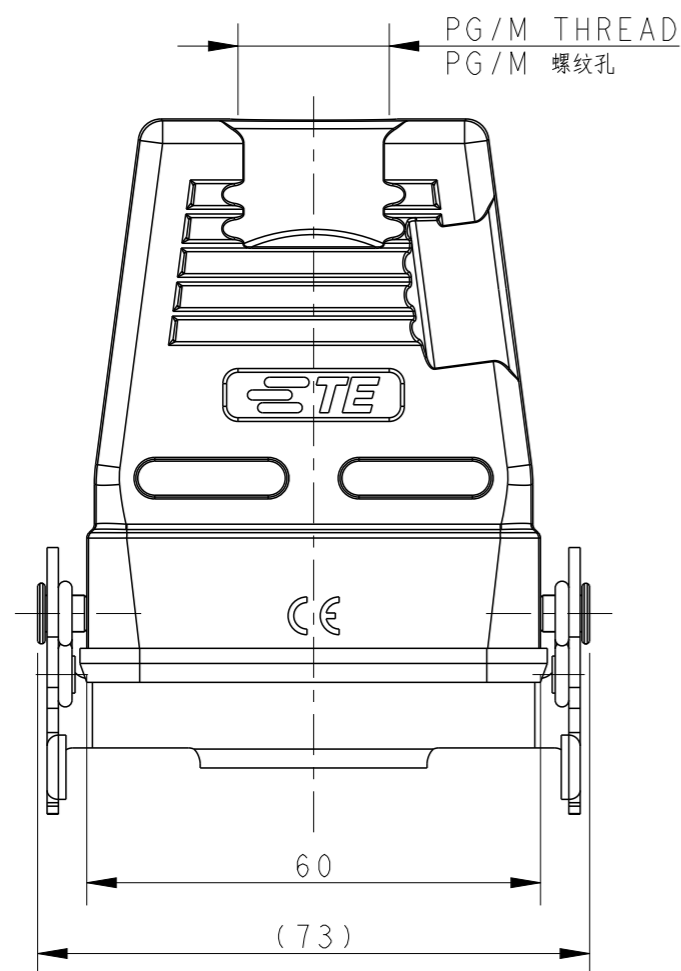
P	LTR	DESCRIPTION	DATE	DWN	APVD
	A	INITIAL	23JUN2015	DW	CW
	A1	ECR-15-012067	10AUG2015	DW	CW
	A2	ECR-18-017123	09NOV2018	KW	CW
	B	ECR-20-007968	23JUN2020	WQR	CW

NOTES:

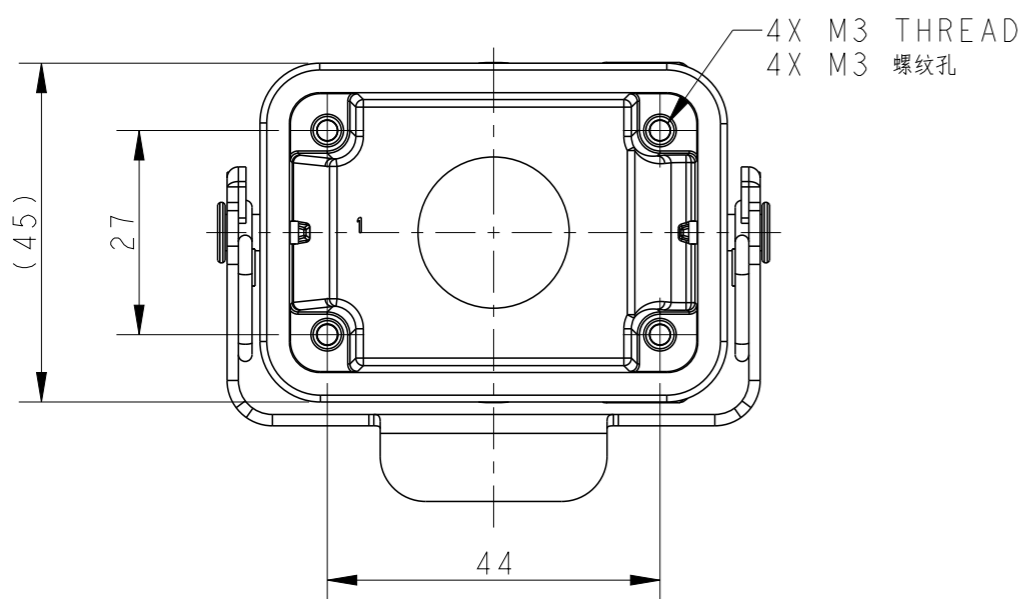
- 1. TECHNICAL CHARACTERISTICS:
HOUSING MATERIAL: DIE CAST ALUMINIUM ALLOY
SURFACE: POWDER COATED, GREY
DEGREE OF PROTECTION: IP65 (MATED)

注释:

- 1. 技术参数:
下壳材料: 铝合金
表面处理: 粉末涂层, 灰色
防护等级: IP65(配合)

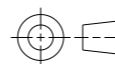


SCALE 3:5



THIS DRAWING IS A CONTROLLED DOCUMENT.

DIMENSIONS:
mm



TOLERANCES UNLESS OTHERWISE SPECIFIED:

- 0 PLC ±-
- 1 PLC ±-
- 2 PLC ±-
- 3 PLC ±-
- 4 PLC ±-
- ANGLES ±-
- FINISH -

MATERIAL

-

DWN 23JUN2015

David Wang

CHK 23JUN2015

Chris Wang

APVD 23JUN2015

Xiang Xu

PRODUCT SPEC

108-137013

APPLICATION SPEC

114-137013

WEIGHT

-

Customer Drawing

NAME
H6B-TBFH-M/PG

SIZE CAGE CODE DRAWING NO RESTRICTED TO

A300779 C-T17700631XX000

SCALE 1:1 SHEET 1 OF 2 REV B


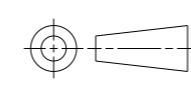


THIS DRAWING IS UNPUBLISHED. RELEASED FOR PUBLICATION 20
 © COPYRIGHT 20 BY - ALL RIGHTS RESERVED.

REVISIONS					
P	LTR	DESCRIPTION	DATE	DWN	APVD
	-	SEE SHEET 1	-	-	-

NOTES:
 SEE SHEET 1.
 注释:
 见第1页.

T1770063116-000	H6B-TBFH-PG16	H6B HOUSING,CABLE-TO-CABLE,METAL SINGLE LOCKING, HIGH CONSTRUCTION,PG16,POWDER COATED,GREY H6B下壳,电缆对接,彩锌单扣,高结构,PG16,灰色粉末喷涂	PG16
T1770063120-000	H6B-TBFH-M20	H6B HOUSING,CABLE-TO-CABLE,METAL SINGLE LOCKING, HIGH CONSTRUCTION,M20,POWDER COATED,GREY H6B下壳,电缆对接,彩锌单扣,高结构,M20,灰色粉末喷涂	M20
T1770063121-000	H6B-TBFH-PG21	H6B HOUSING,CABLE-TO-CABLE,METAL SINGLE LOCKING, HIGH CONSTRUCTION,PG21,POWDER COATED,GREY H6B下壳,电缆对接,彩锌单扣,高结构,PG21,灰色粉末喷涂	PG21
T1770063125-000	H6B-TBFH-M25	H6B HOUSING,CABLE-TO-CABLE,METAL SINGLE LOCKING, HIGH CONSTRUCTION,M25,POWDER COATED,GREY H6B下壳,电缆对接,彩锌单扣,高结构,M25,灰色粉末喷涂	M25
T1770063129-000	H6B-TBFH-PG29	H6B HOUSING,CABLE-TO-CABLE,METAL SINGLE LOCKING, HIGH CONSTRUCTION,PG29,POWDER COATED,GREY H6B下壳,电缆对接,彩锌单扣,高结构,PG29,灰色粉末喷涂	PG29
T1770063132-000	H6B-TBFH-M32	H6B HOUSING,CABLE-TO-CABLE,METAL SINGLE LOCKING, HIGH CONSTRUCTION,M32,POWDER COATED,GREY H6B下壳,电缆对接,彩锌单扣,高结构,M32,灰色粉末喷涂	M32
PART NUMBER 料号	PART DESCRIPTION 描述		PG/M THREAD PG/M 螺纹孔

THIS DRAWING IS A CONTROLLED DOCUMENT.		DWN 23JUN2015 David Wang	 TE Connectivity	
		CHK 23JUN2015 Chris Wang		
DIMENSIONS: mm 		APVD 23JUN2015 Xiang Xu	NAME H6B-TBFH-M/PG	
TOLERANCES UNLESS OTHERWISE SPECIFIED: 0 PLC ±- 1 PLC ±- 2 PLC ±- 3 PLC ±- 4 PLC ±- ANGLES ±-		PRODUCT SPEC 108-137013	RESTRICTED TO	
MATERIAL -		FINISH -	APPLICATION SPEC 114-137013	SIZE A3
		WEIGHT -	CAGE CODE 00779	
		Customer Drawing		DRAWING NO T17700631XX000
		SCALE 1:1		SHEET 2 OF 2
				REV B

单击下面可查看定价，库存，交付和生命周期等信息

[>>TE Connectivity\(泰科\)](#)