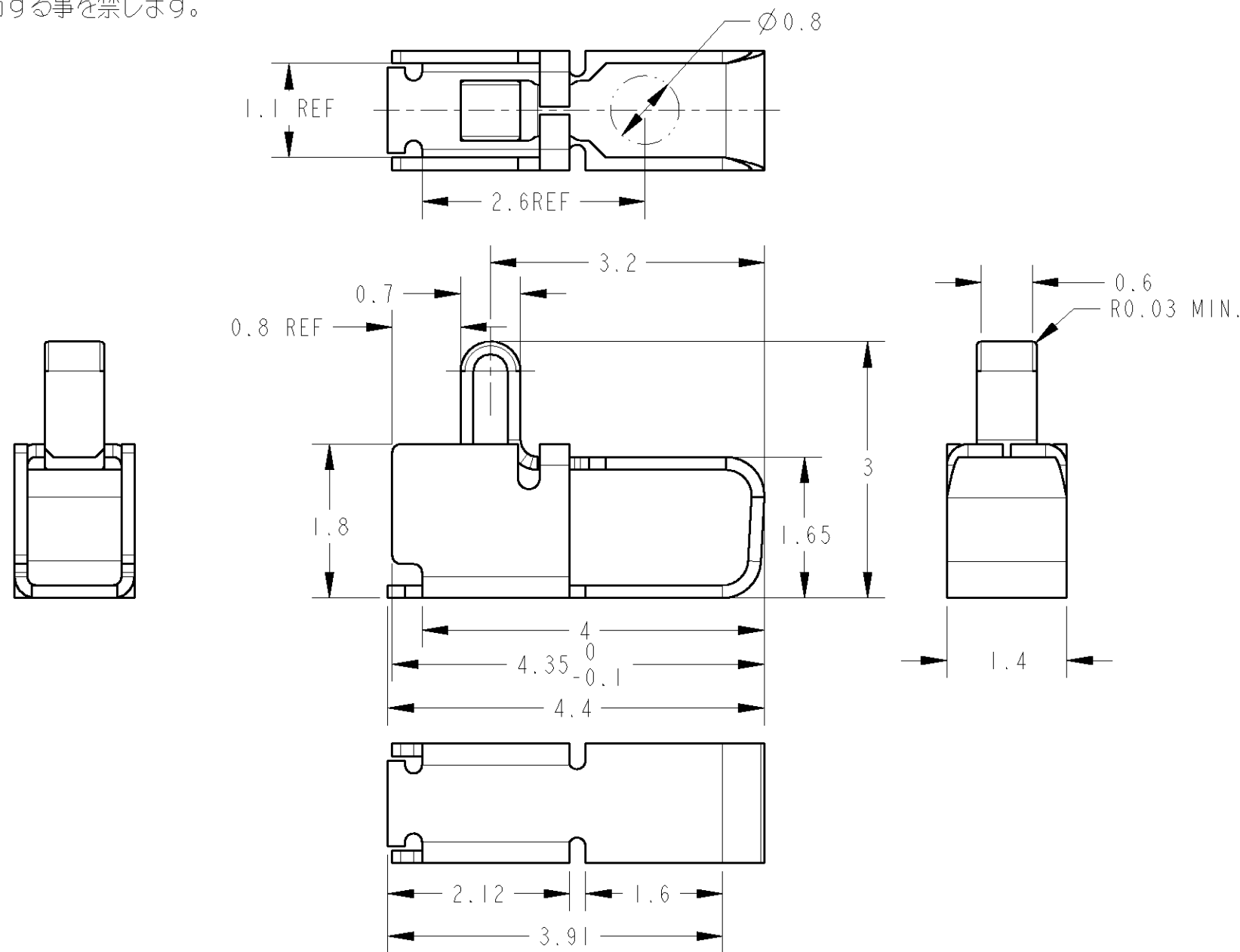


THIS DRAWING IS UNPUBLISHED. RELEASED FOR PUBLICATION 2006  
 © COPYRIGHT 2006 BY TYCO ELECTRONICS CORPORATION. ALL RIGHTS RESERVED.

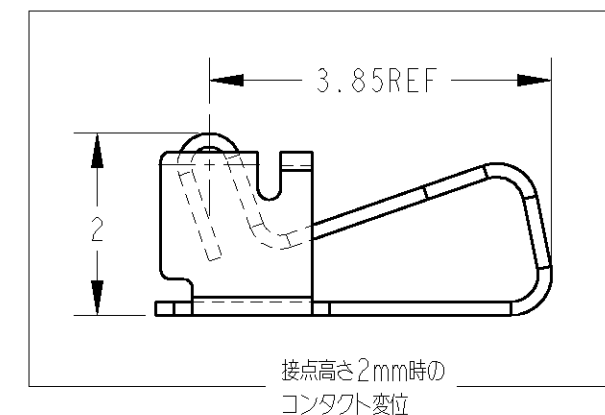
LOC	DIST	REVISIONS						
		P	LTR	DESCRIPTION	ECN	DATE	DWN	APVD
J	-		A2	REVISED		01FEB07	C.O	Y.N

本図面に記載された内容はタイコ エレクトロニクス アンブ(株)の所有する情報を開示しております。  
 無断で複写・配布する事を禁じます。

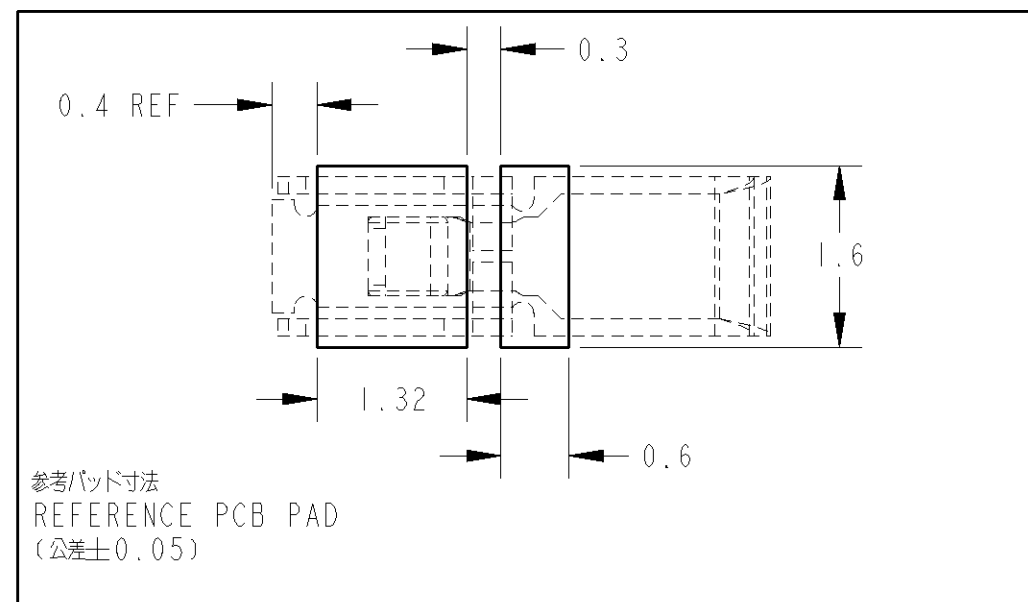
特許出願中



-1; 本図  
 -1; AS SHOWN



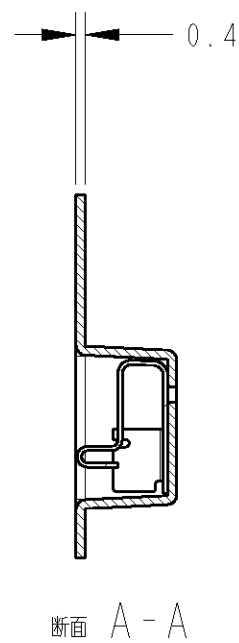
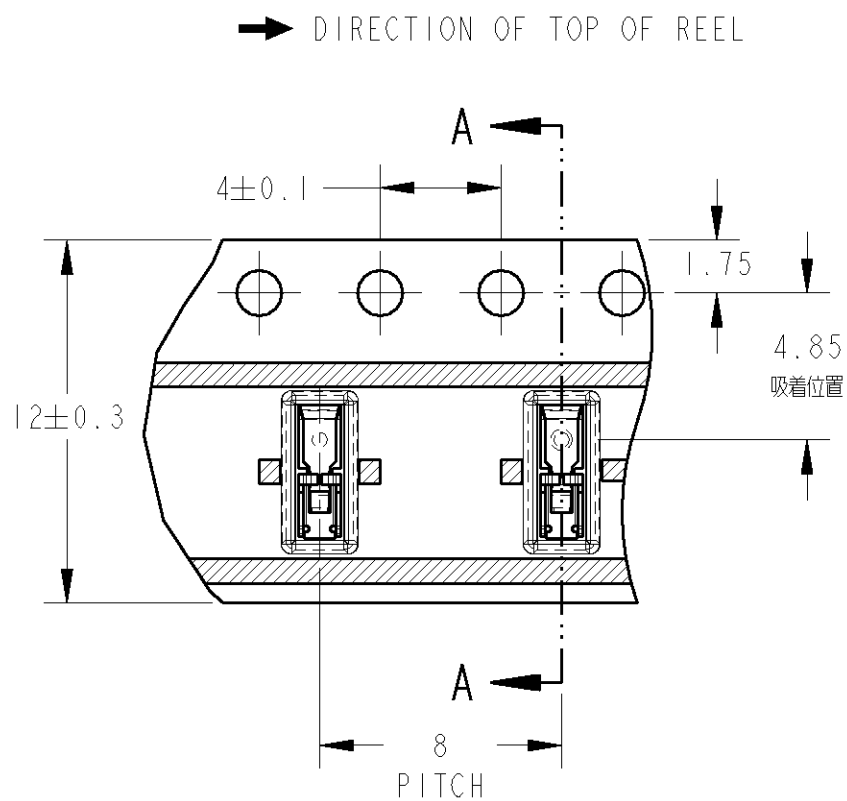
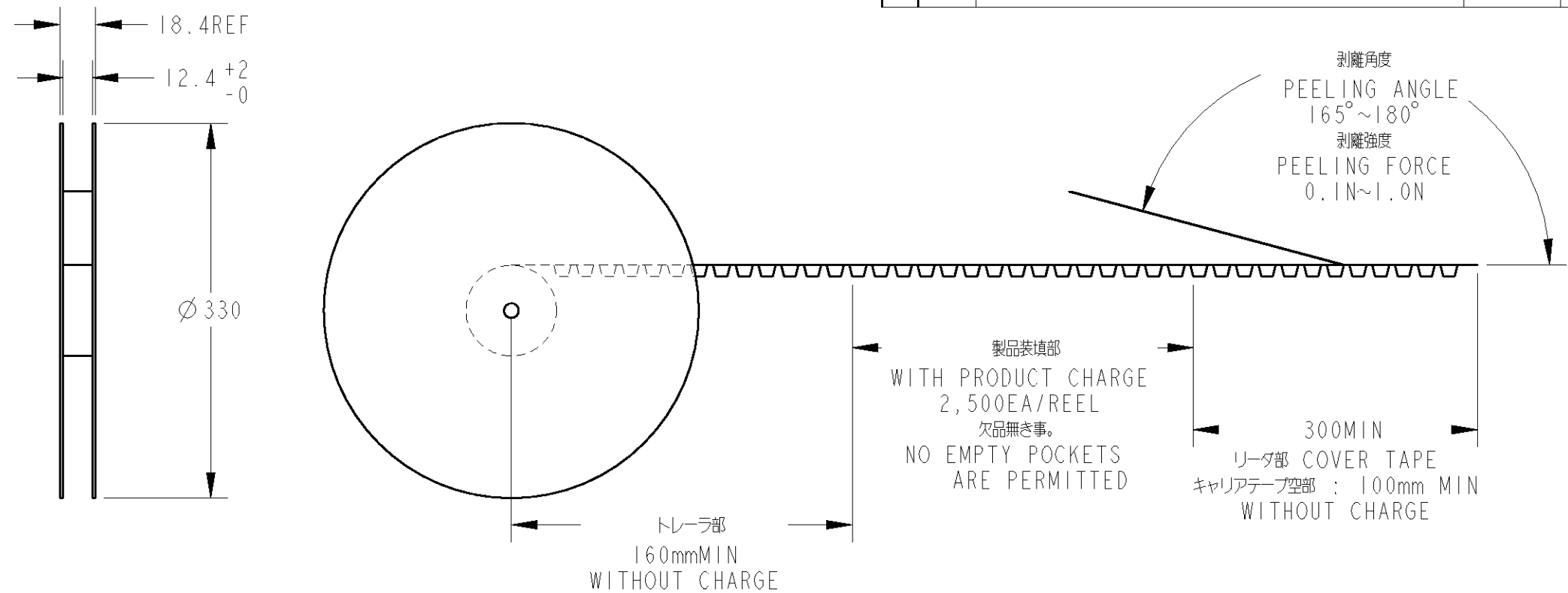
- ① めっき仕様  
 全面Ni下地 : 0.8μm MIN  
 コンタクトポイント : Au 0.25~0.5μm  
 半田付けエリア : Au 0.05μm MIN
- 2. カットバリ : 0.05MAX  
 その他 全周バリ : 0.03MAX
- ③ 材料: 銅合金  
 4 0.5mmストローク時に0.7N±0.2N  
 5 1.0mmストローク時に1.1N±0.2N



THIS DRAWING IS A CONTROLLED DOCUMENT FOR TYCO ELECTRONICS CORPORATION IT IS SUBJECT TO CHANGE AND THE CONTROLLING ENGINEERING ORGANIZATION SHOULD BE CONTACTED FOR THE LATEST REVISION.		DWN C.OHASHI 19APR2006		Tyco Electronics AMP K.K. Kawasaki, Japan	
DIMENSIONS: 単位: 概 mm		CHK K.KODAIRA 19APR2006		NAME SHIELD FINGER 3014 LOW FORCE ANTI OVER STRESS TYPE EMBOSS PACKING	
TOLERANCES UNLESS OTHERWISE SPECIFIED: 一般公差 ±0.2		APVD K.KODAIRA 19APR2006		SIZE A3	
0-PLC ±		PRODUCT SPEC 108-78364		CAGE CODE 00779	
1-PLC ±0.5		APPLICATION SPEC 取付適用規格		DRAWING NO C=1903646	
2-PLC ±0.13		WEIGHT 0.01g		RESTRICTED TO -	
3-PLC ±0.013		CUSTOMER DRAWING		SCALE 15:1	
4-PLC ±0.0001		FINISH 仕上		SHEET 1 OF 2	
ANGLES ±		MATERIAL ① SEE NOTE		REV A2	

THIS DRAWING IS UNPUBLISHED. RELEASED FOR PUBLICATION 2006  
 © COPYRIGHT 2006 BY TYCO ELECTRONICS CORPORATION. ALL RIGHTS RESERVED.

LOC	DIST	REVISIONS			
P	LTR	DESCRIPTION	DATE	DWN	APVD
J	-	-	-	-	-
		SEE SHEET 1			



- 1 ; AS SHOWN  
 - 1 ; 本図

<small>THIS DRAWING IS A CONTROLLED DOCUMENT FOR TYCO ELECTRONICS CORPORATION          IT IS SUBJECT TO CHANGE AND THE CONTROLLING ENGINEERING ORGANIZATION          SHOULD BE CONTACTED FOR THE LATEST REVISION.</small>		DWN C.OHASHI 19APR2006 CHK K.KODAIRA 19APR2006 APVD K.KODAIRA 19APR2006		<b>tyco</b> Tyco Electronics AMP K.K. <b>Electronics</b> Kawasaki, Japan	
DIMENSIONS: mm		TOLERANCES UNLESS OTHERWISE SPECIFIED: 0 PLC ±- 1 PLC ±0.5 2 PLC ±0.13 3 PLC ±0.013 4 PLC ±0.0001 ANGLES ±-		NAME SHIELD FINGER 3014 LOW FORCE ANTI OVER STRESS TYPE EMBOSS PACKING	
MATERIAL SEE NOTE		FINISH SEE NOTE		PRODUCT SPEC 108-78364 APPLICATION SPEC - WEIGHT 0.01g	
		CUSTOMER DRAWING		SIZE A3	CAGE CODE 00779
				DRAWING NO C=1903646	RESTRICTED TO -
				SCALE 15:1	SHEET 2 OF 2
				REV A2	

单击下面可查看定价，库存，交付和生命周期等信息

[>>TE Connectivity\(泰科\)](#)