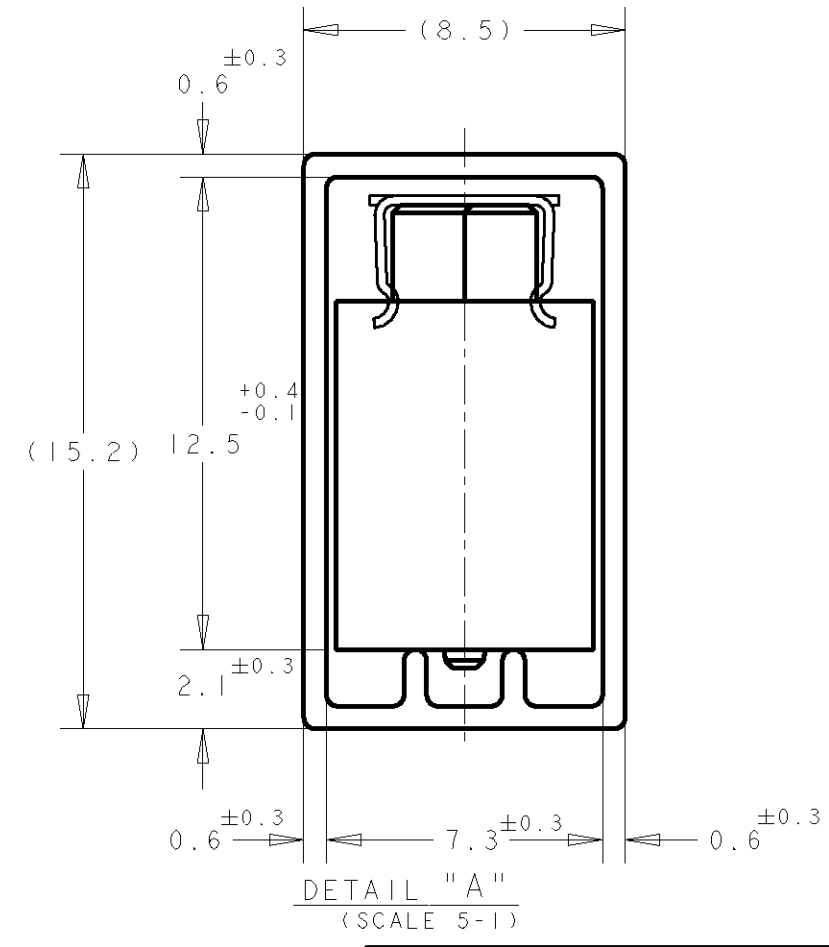
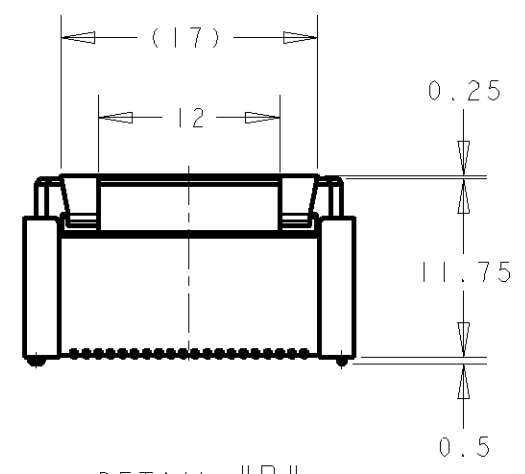
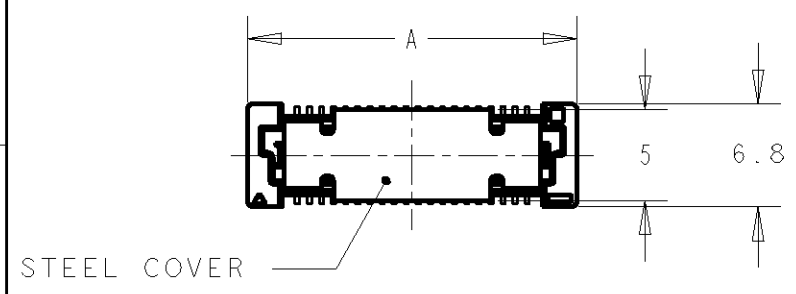
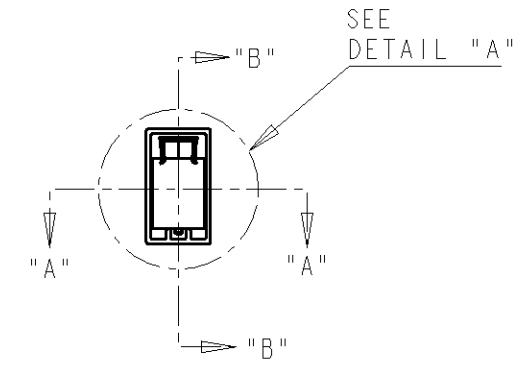
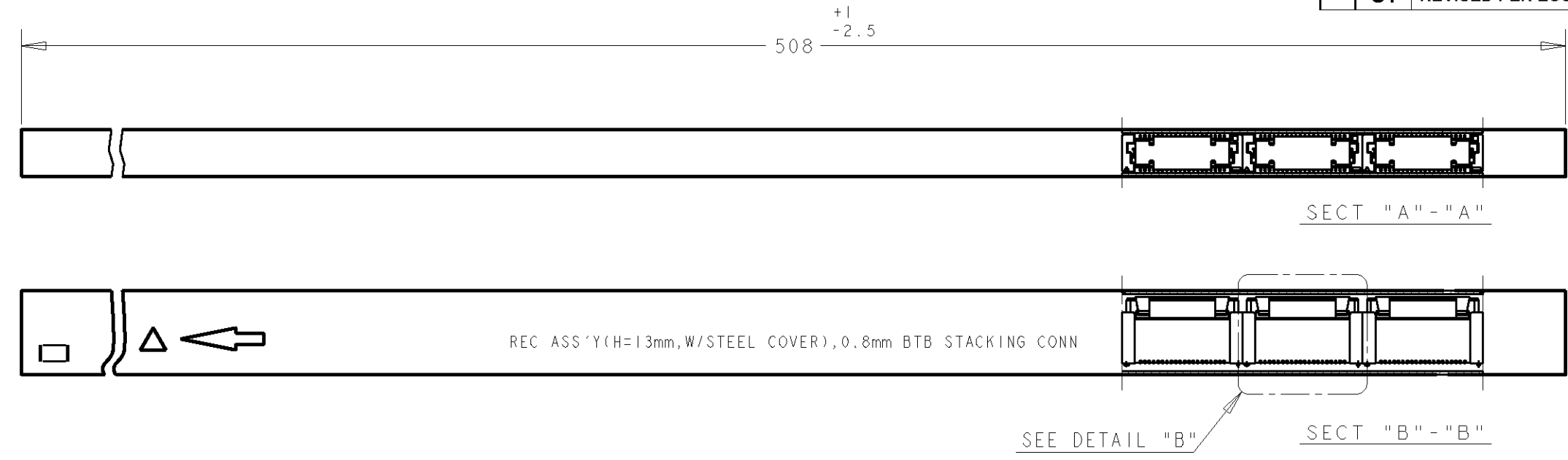


THIS DRAWING IS UNPUBLISHED. RELEASED FOR PUBLICATION .19  
 © COPYRIGHT 19 BY AMP INCORPORATED. ALL RIGHTS RESERVED.

LOC	DIST	REVISIONS					
DY	-	P	LTR	DESCRIPTION	DATE	DWN	APVD
		O1		REVISED PER ECO-10-000445	11JAN10	KK	AEQ



**1** OBSOLETE  
**1** OBSOLETE  
**1** OBSOLETE

5	85.8	6-	-0	200	6-	-0
6	77.8	5-	-9	180	5-	-9
6	69.8	5-	-8	160	<del>5-</del>	<del>0</del>
7	61.8	5-	-6	140	5-	-6
9	53.8	5-	-5	120	<del>5-</del>	<del>5</del>
10	45.8	5-	-4	100	5-	-4
12	37.8	5-	-3	80	<del>5-</del>	<del>3</del>
16	29.8	5-	-2	60	<del>5-</del>	<del>2</del>
22	21.8	5-5179010-1		40	5-5179233-1	
QTY / TUBE	A	CONN P/N	POS.	PART NO.		

**1** OBSOLETE PARTS: OBSOLETE CIS STREAMLINING PER D.RENAUD/D.SINISI

THIS DRAWING IS A CONTROLLED DOCUMENT FOR AMP INCORPORATED. IT IS SUBJECT TO CHANGE AND THE CONTROLLING ENGINEERING ORGANIZATION SHOULD BE CONTACTED FOR THE LATEST REVISION.

DWN: FLORENCE TAN 03SEP04  
 CHK: ERIC TNG  
 APVD: SEI FONG  
 PRODUCT SPEC: -  
 APPLICATION SPEC: -  
 WEIGHT: -  
 CUSTOMER DRAWING

**tyco** Tyco Electronics (Singapore) Pte. Ltd.  
 NAME: REC ASS'Y 13H TYPE WITH STEEL COVER (TUBE PACK) FOR FH 0.8mm PITCH B-T-B CONNECTOR  
 SIZE: A3 CAGE CODE: 00779 DRAWING NO: 5179233

MATERIAL: - FINISH: -

TOLERANCES UNLESS OTHERWISE SPECIFIED:  
 0 PLC ±-  
 1 PLC ±0.20  
 2 PLC ±0.25  
 3 PLC ±0.30  
 4 PLC ±-  
 ANGLES ±3°

SCALE: | : | SHEET: | OF: | REV: **01**

PROJ No. 593-312

单击下面可查看定价，库存，交付和生命周期等信息

[>>TE Connectivity\(泰科\)](#)