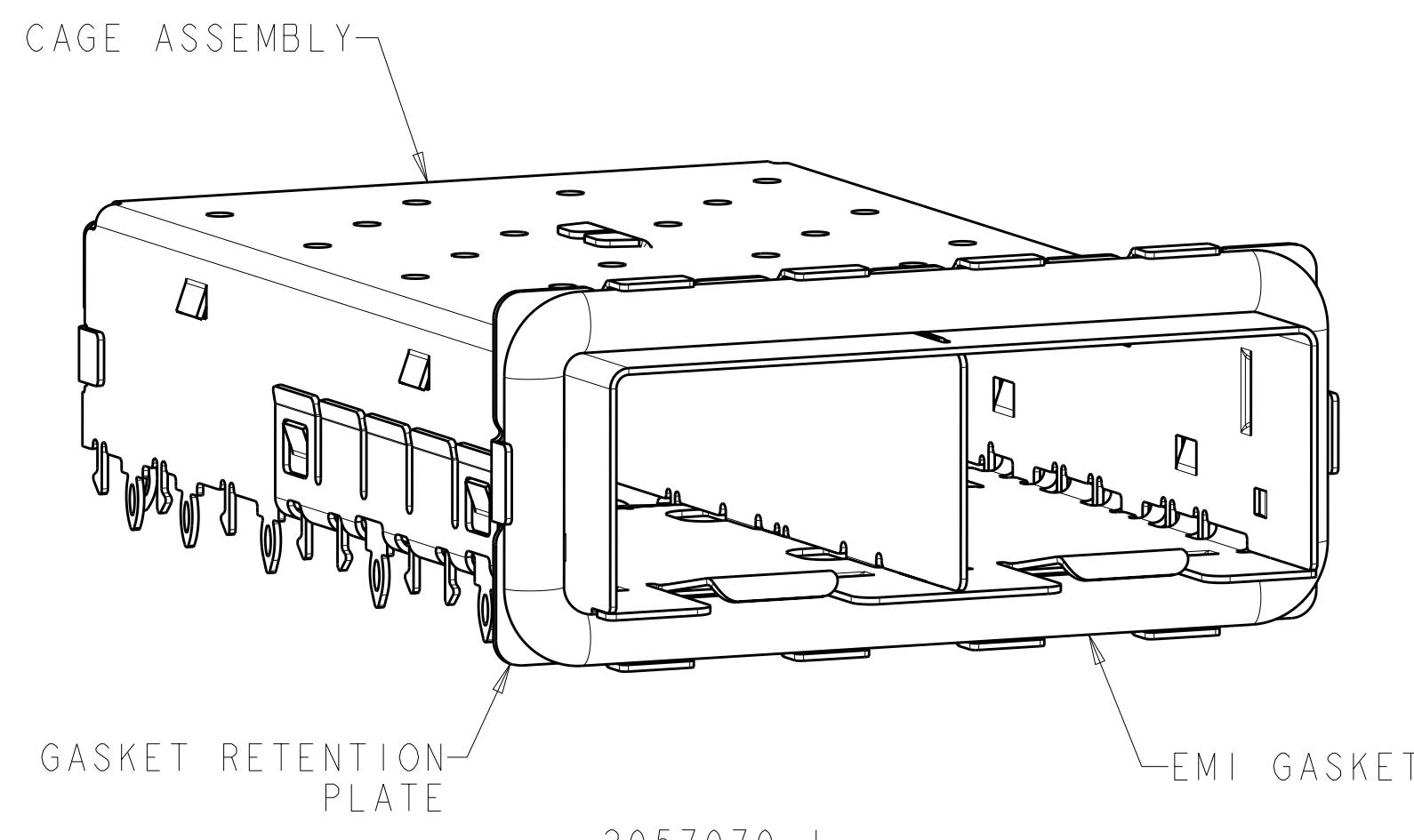
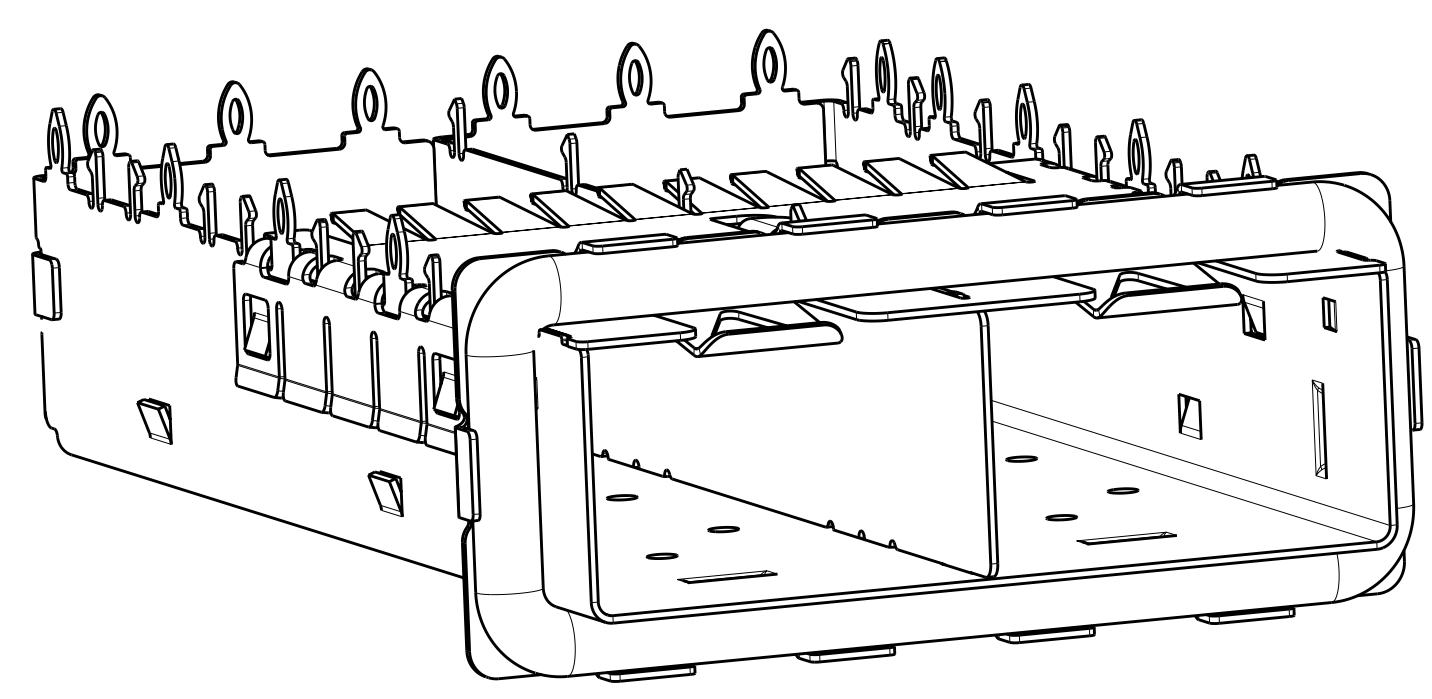


LOC	DIST	REV	DESCRIPTION	DATE	OWN	APVD
GP	00	A	RELEASED PER ECO-10-025263	17FEB2011	CJV	JTL

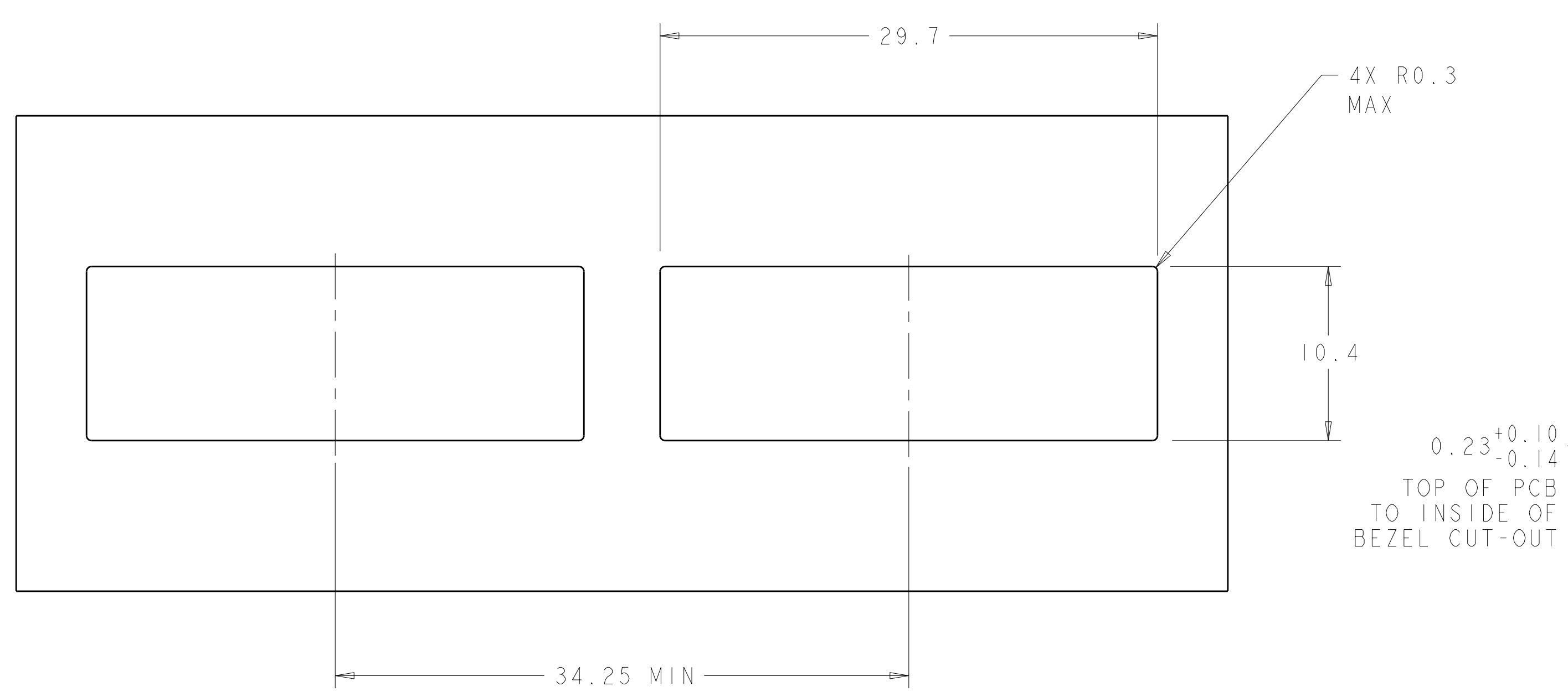
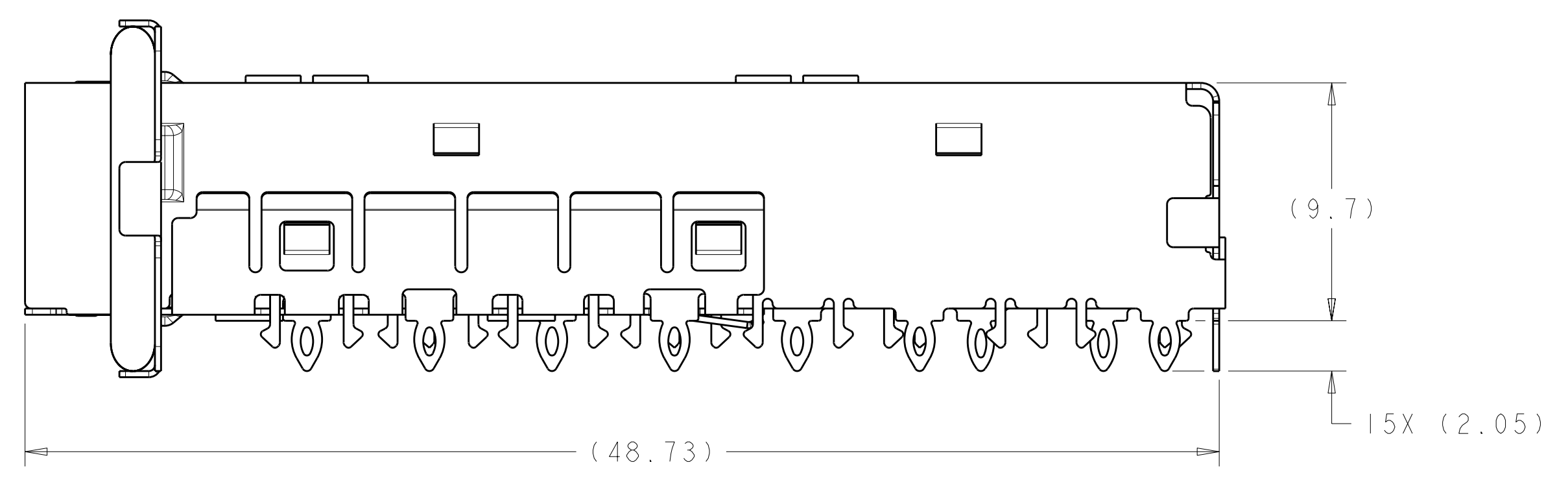
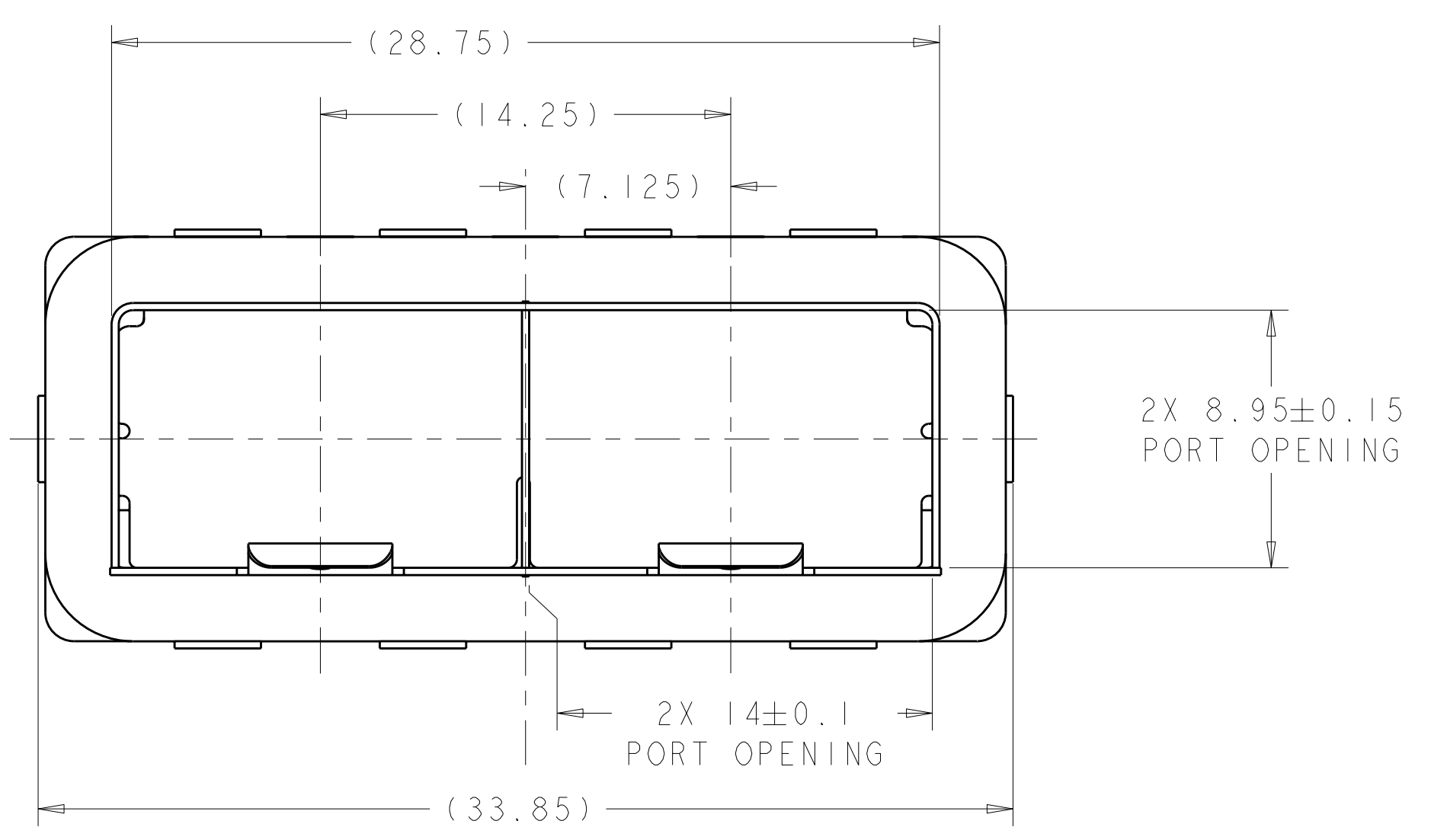


2057070-1  
 SCALE 4:1

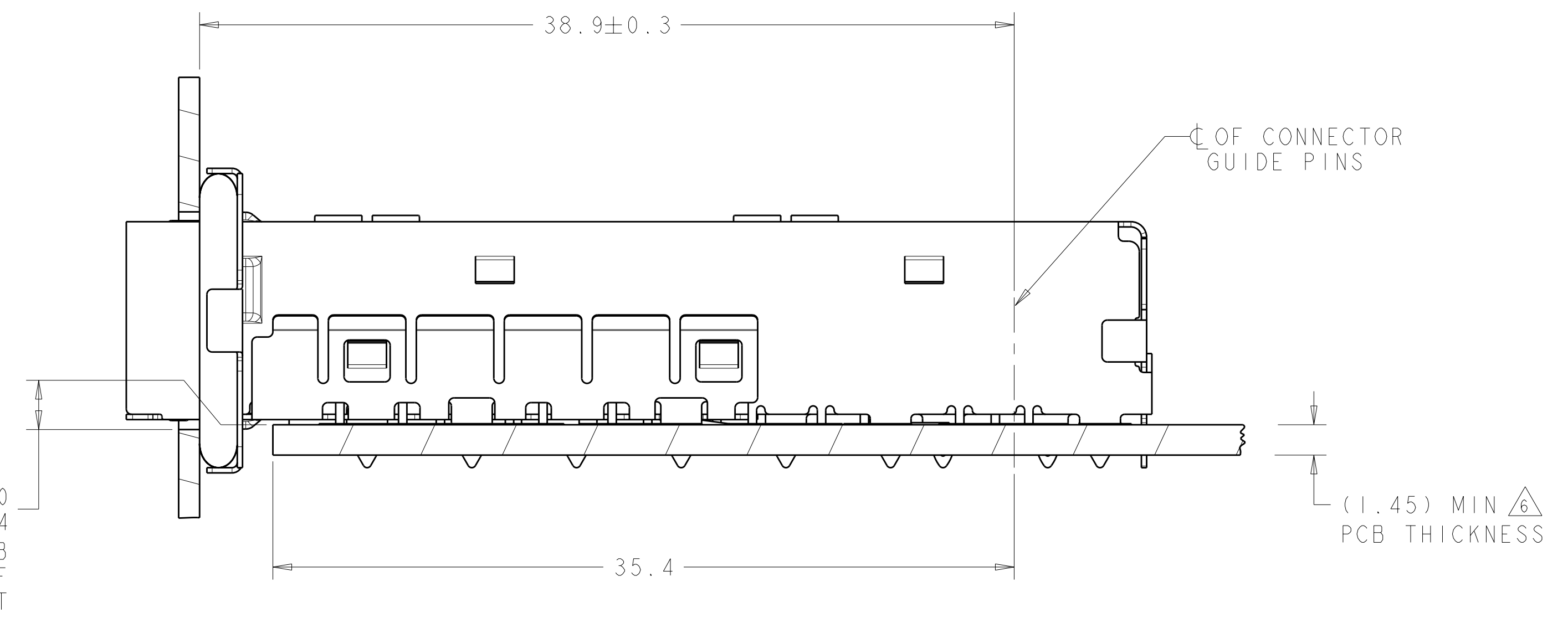


ISOMETRIC BOTTOM VIEW  
 SCALE 4:1

- △ MATERIAL:  
 CAGE ASSEMBLY: NICKEL SILVER ALLOY, 0.25mm THK.  
 GASKET RETENTION PLATE: STAINLESS STEEL  
 EMI GASKET: PLATED FILLED SILICONE
- △ DATUM AND BASIC DIMENSION ESTABLISHED BY CUSTOMER.
- 3. MATES WITH SFP MSA COMPLIANT TRANSCEIVERS.
- △ PADS AND VIAS CHASSIS GROUND.
- 5. INTERPRETATION OF DATUM REFERENCE FRAME IN ACCORDANCE WITH SECT 4.4.1.1 OF ASME Y14.5M-1994.
- △ MINIMUM PC BOARD THICKNESS:  
 SINGLE SIDED = 1.45mm
- △ HOLE PATTERN REPEATS FOR EACH PORT, SPACING BETWEEN PORTS IS 14.25mm.
- △ REFERENCE APPLICATION SPEC. 114-13120, HOLE A, FOR RECOMMENDED DRILL HOLE DIAMETER AND PLATING THICKNESS.
- △ REFERENCE APPLICATION SPEC. 114-13120, HOLE B, FOR RECOMMENDED DRILL HOLE DIAMETER AND PLATING THICKNESS.



RECOMMENDED BEZEL CUT-OUT  
 SCALE 4:1

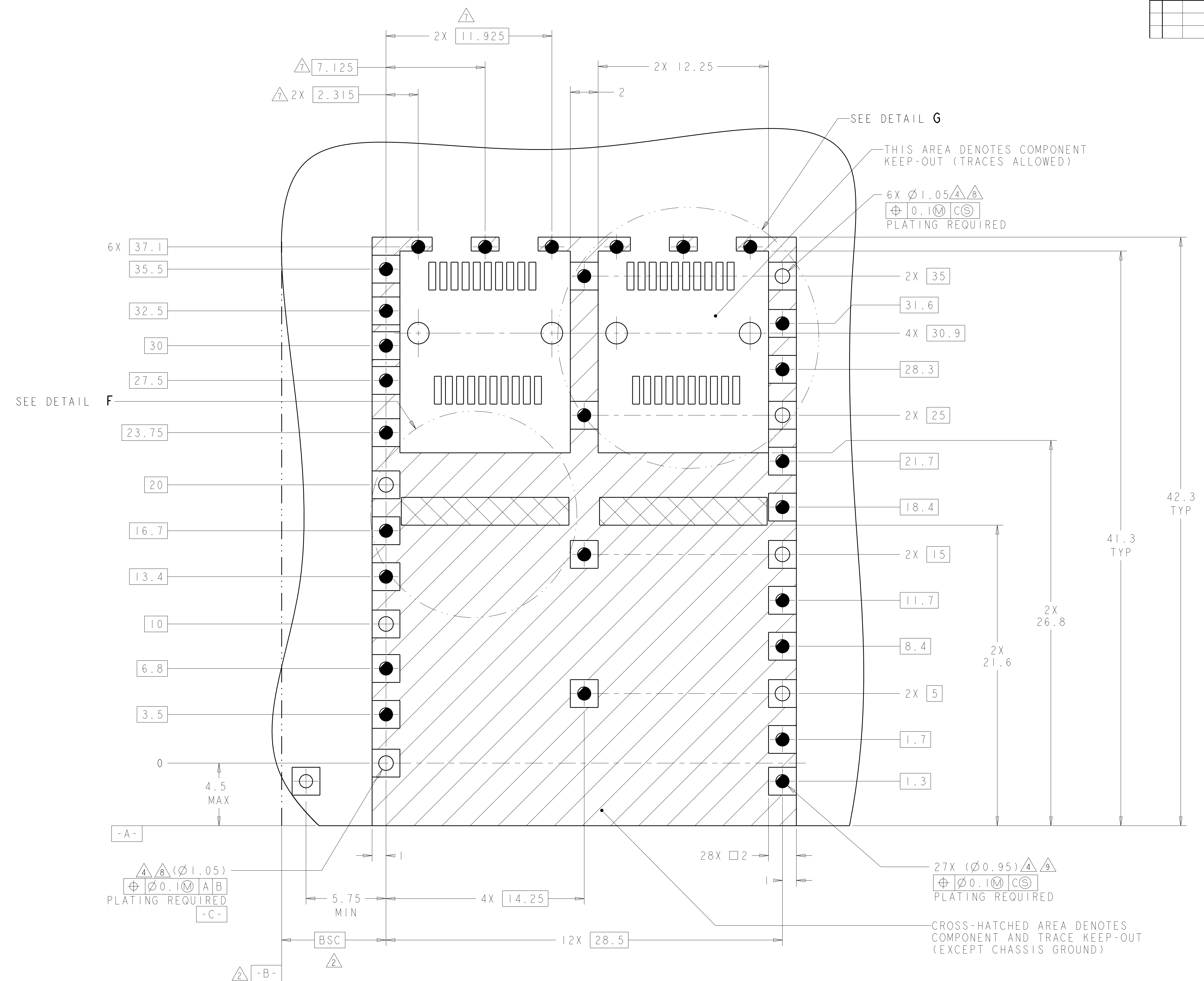


2057070-1  
 MOUNTED ON PCB, SHOWN THRU RECOMMENDED BEZEL

2057070-1  
 PART NUMBER

DIMENSIONS: mm 		TOLERANCES UNLESS OTHERWISE SPECIFIED: 9 PLC ±0.13 1 PLC ±0.1 2 PLC ±0.08 3 PLC ±0.05 4 PLC ±0.05 ANGLES ±1°		DWN Z.M.REAM 12MAY2008 CHK M.R.SCHMITT 12MAY2008 APVD R.H.WERTZ 12MAY2008		Tyco Electronics Harrisburg, PA 17105-3608	
MATERIAL △ FINISH -		PRODUCT SPEC 108-2364 APPLICATION SPEC 114-13120		NAME SFP+ ENHANCED, 1X2 CAGE ASSEMBLY, PRESS FIT, EMI GASKET		SIZE CAGE CODE DRAWING NO RESTRICTED TO A 00779 C-2057070 -	
CUSTOMER DRAWING		WEIGHT -		SCALE 2:1		SHEET 1 OF 3 REV A	

LOC	DIST	REVISIONS			
GP	00	REV	DATE	BY	APPD
		1	SEE SHEET 1		



SEE DETAIL F

SEE DETAIL G

THIS AREA DENOTES COMPONENT KEEP-OUT (TRACES ALLOWED)

6X Ø1.05, 4/8  
 0.10, C/S  
 PLATING REQUIRED

27X (Ø0.95), 4/9  
 0.10, C/S  
 PLATING REQUIRED

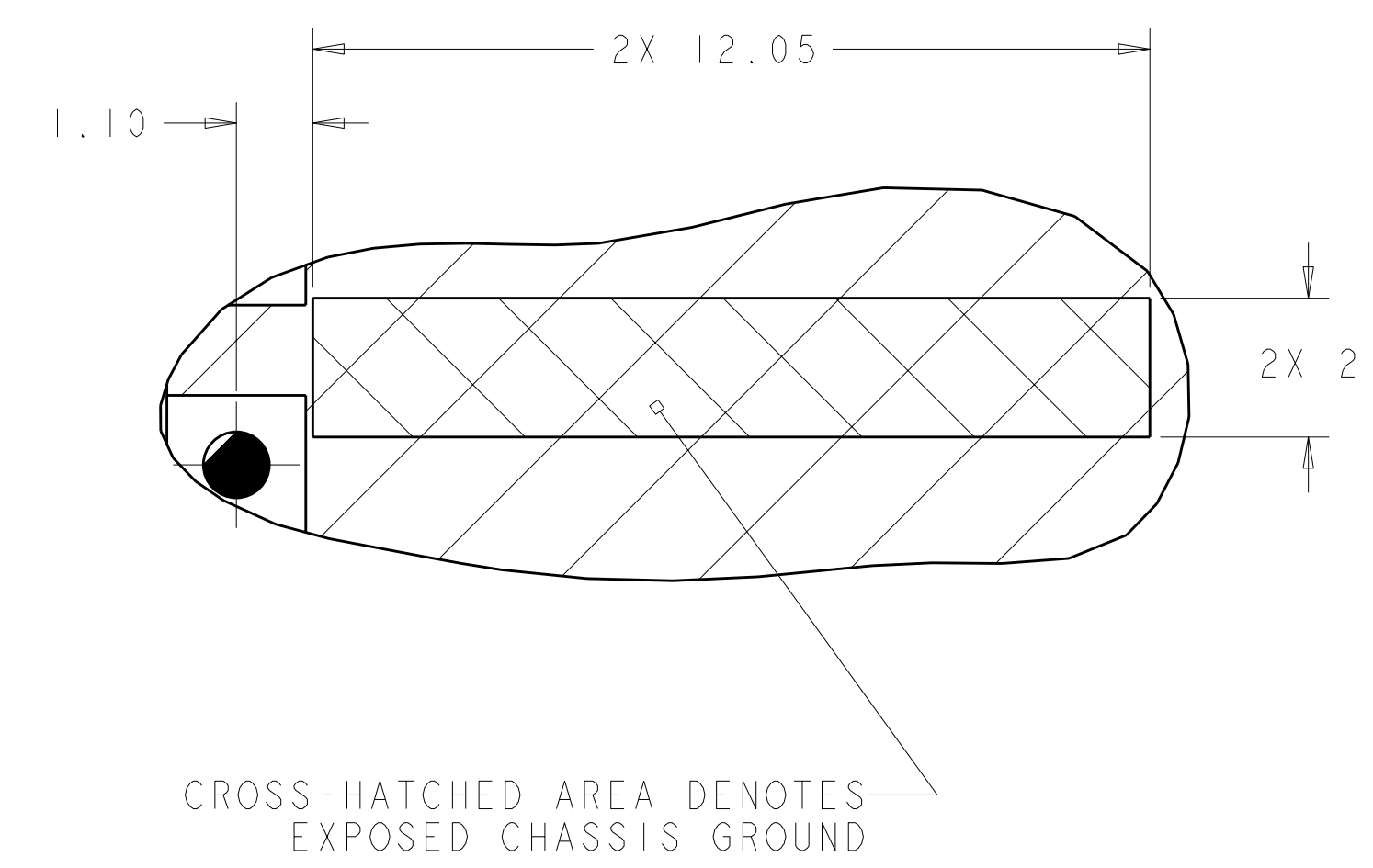
CROSS-HATCHED AREA DENOTES COMPONENT AND TRACE KEEP-OUT (EXCEPT CHASSIS GROUND)

4, 8 (Ø1.05)  
 0.10, A/B  
 -C-  
 PLATING REQUIRED

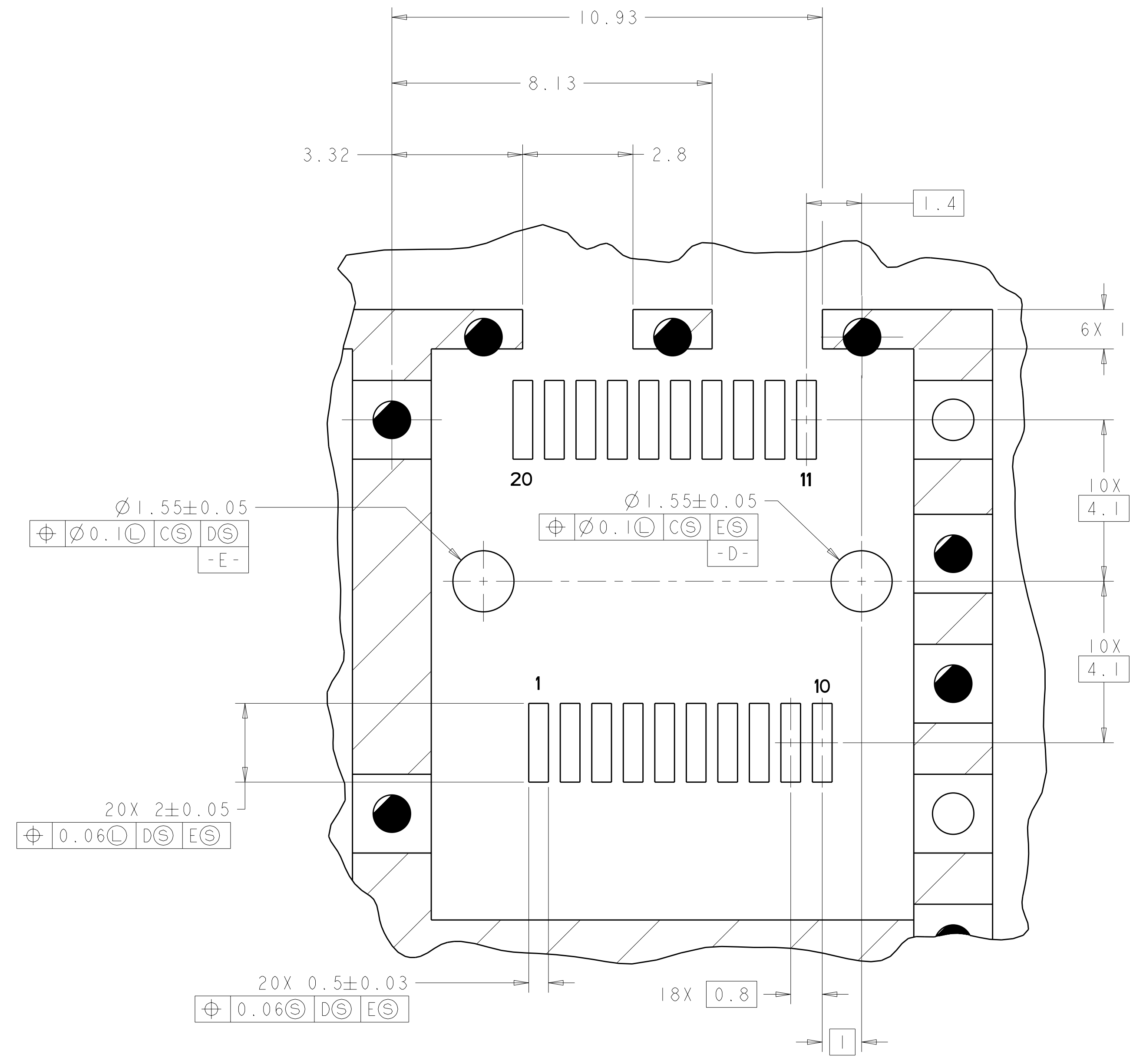
RECOMMENDED PCB CONFIGURATION  
 W/ KEEP-OUT AREAS  
 SINGLE SIDED APPLICATIONS  
 SCALE 7:1

DIMENSIONS: mm 		TOLERANCES UNLESS OTHERWISE SPECIFIED: 9 PLC ±0.13 1 PLC ±0.1 2 PLC ±0.08 3 PLC ±0.05 4 PLC ±0.05 ANGLES ±1°		DWN: Z.M. BEAM 12MAY2008 CHK: M.R. SCHMITT 12MAY2008 APVD: P.H. WERTZ 12MAY2008		Tyco Electronics Harrisburg, PA 17105-3608	
MATERIAL: - FINISH: -		PRODUCT SPEC: 108-2364 APPLICATION SPEC: 114-13120		NAME: SFP+ ENHANCED, 1X2 CAGE ASSEMBLY, PRESS FIT, EMI GASKET		SIZE: A11 00779 CAGE CODE: C=2057070	
CUSTOMER DRAWING		SCALE: 2:1		SHEET: 2 OF 3		REV: A	

LOC	DIST	REVISIONS			
GP	00	REV	DATE	BY	APPD
-	-	SEE SHEET 1	-	-	-



DETAIL F  
SCALE 10:1



DETAIL G  
RECOMMENDED PT CONNECTOR LAYOUT  
2X INDIVIDUALLY  
SCALE 12:1

DIMENSIONS: mm 		TOLERANCES UNLESS OTHERWISE SPECIFIED: 9 PLC $\pm 0.13$ 1 PLC $\pm 0.1$ 2 PLC $\pm 0.08$ 3 PLC $\pm 0.05$ 4 PLC $\pm 0.05$ ANGLES $\pm 1^\circ$ FINISH -		DWN Z.M. BEAM 12MAY2008 CHK M.R. SCHMITT 12MAY2008 APVD P.H. WERTZ 12MAY2008 PRODUCT SPEC 108-2364 APPLICATION SPEC 114-13120 WEIGHT - CUSTOMER DRAWING		Tyco Electronics Harrisburg, PA 17105-3608 NAME SFP+ ENHANCED, 1X2 CAGE ASSEMBLY, PRESS FIT, EMI GASKET SIZE CAGE CODE DRAWING NO RESTRICTED TO A 00779 C-2057070 -	
MATERIAL -		FINISH -		SCALE 2:1		SHEET 3 OF 3 REV A	

单击下面可查看定价，库存，交付和生命周期等信息

[>>TE Connectivity\(泰科\)](#)