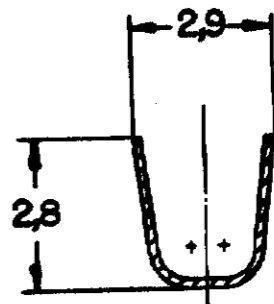
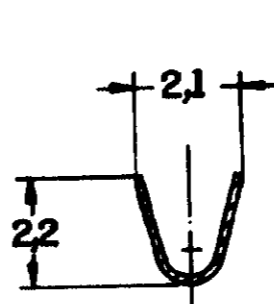
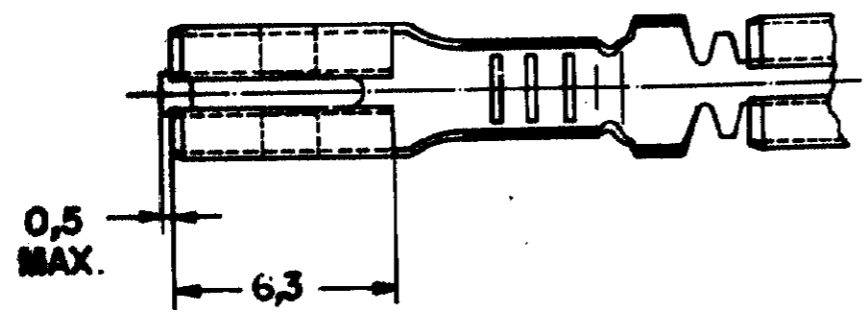


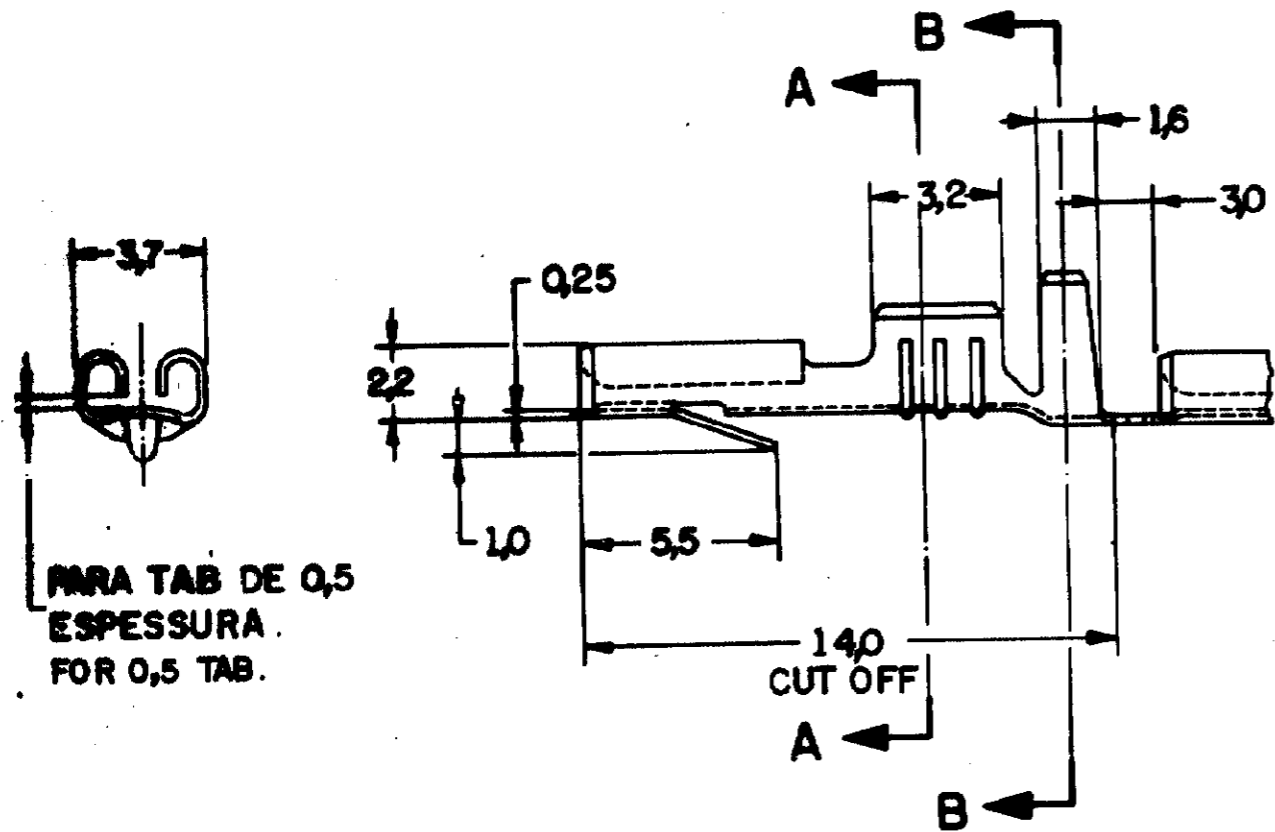
DWG NO.		DO NOT SCALE		METRIC		3rd ANGLE PROJECTION	
		DIMENSIONS IN mm.					
REQ. PER ASSY	ITEM	DESCRIPTION	MATERIAL	FINISH			



SECCÃO A-A
SECTION

SECCÃO B-B
SECTION

△ OBSOLETE PARTS



PARA TAB DE 0,5
ESPESSURA.
FOR 0,5 TAB.

881511	-5	PRÉ ESTANHADO	LATÃO	881505	-4
881511	-3	ESTANHADO	BRONZE FOSFOROSO	881505	-3
881511	-1	ESTANHADO	LATÃO	881505	-2
881511	-1	ESTANHADO	LATÃO	881505	-1
LOOSE PIECE		FINISH	MATERIAL	PART NUMBER	

CUSTOMER DWG
for REFERENCE ONLY

THIS DRAWING IS UNPUBLISHED. RELEASED FOR PUBLICATION BY AMP DO BRASIL LTDA S.P. ALL INTERNATIONAL RIGHTS RESERVED AND PRODUCTS MAY BE COVERED BY U.S. AND FOREIGN PATENTS AND/OR PATENT PENDING.

TOLERANCES UNLESS OTHERWISE STATED
DEC: ± 0,5
ANGLES ± 1°

INS. DIA. RANGE 1,27 - 2,03mm
WIRE RANGE 0,30 - 0,56mm
SCALE 2 / -

AMP AMP do BRASIL LTDA
São Paulo, Brasil

DESCRIPTION: .110 SERIES RECEPTACLE
FASTIN - FASTON

DR. N.C. LAPRESA
02 - JUL - 93

CNK. J.R. K. 20 - JUL - 93
DE. H.B. 22 - JUL - 93

E2	REV. ECO18-003809	HC/WLS	9MAR18
E1	REVISED PER ECO-09-026444	KK/AEG	28NOV09
#	REDRAWN WITH CHANGES	22/93	22/93

REVISION RECORD ECH DR. DATE APP.

A3 DWS NO. C 881505 SHEET 1 OF 1

单击下面可查看定价，库存，交付和生命周期等信息

[>>TE Connectivity\(泰科\)](#)