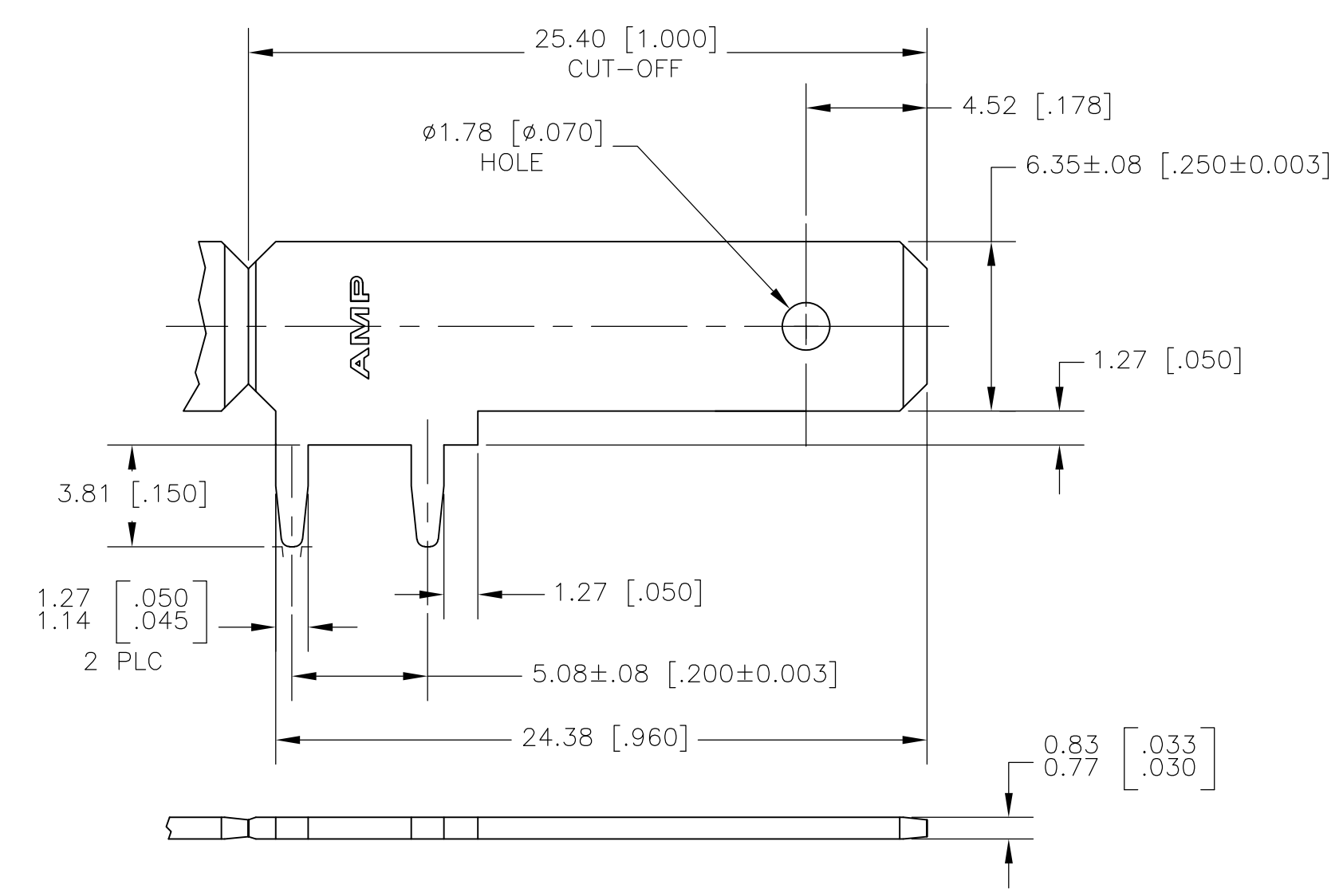
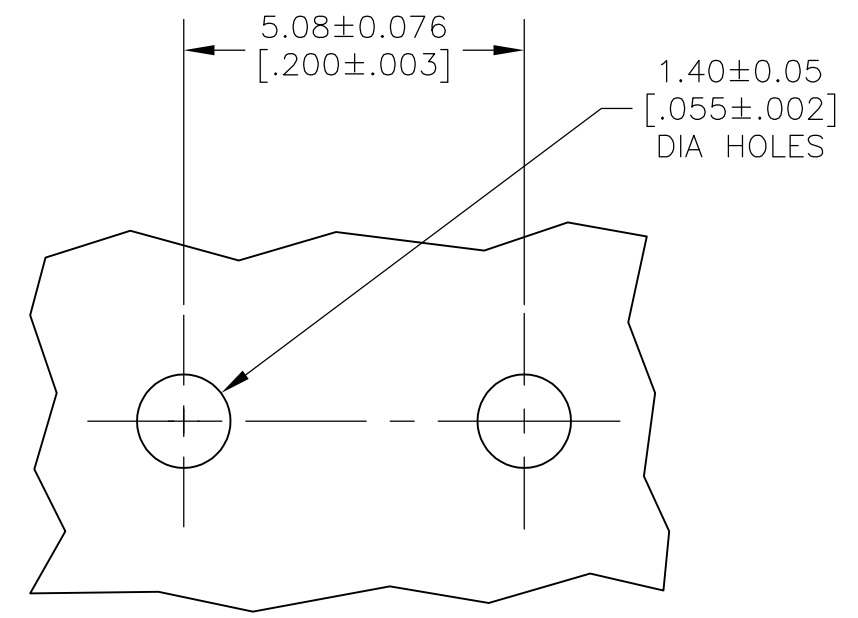


THIS DRAWING IS UNPUBLISHED. RELEASED FOR PUBLICATION
 © COPYRIGHT - By - ALL RIGHTS RESERVED.

LOC	DIST	REVISIONS					
AF	50	P	LTR	DESCRIPTION	DATE	DWN	APVD
		G		REVISED PER ECR-13-001204	24JUN13	KH	PD



- 1 CONTINUOUS STRIP ON REELS.
- 2 0.00381 [.000150] MIN TIN OVER
0.00127 [.000050] MIN NICKEL.



P.C. BOARD HOLES

63952-1
PART NO.

THIS DRAWING IS A CONTROLLED DOCUMENT.		DWN	JR RUTH	11DEC00	STE TE Connectivity		
DIMENSIONS: mm [INCHES]		CHK	MS FEHER	11DEC00			
TOLERANCES UNLESS OTHERWISE SPECIFIED:		APVD	G PORTA	11DEC00	NAME		
0 PLC ± -		PRODUCT SPEC		TAB, FASTON, 6.35 [.250] SERIES			
1 PLC ± -		APPLICATION SPEC		SIZE			
2 PLC ± 0.25 [.010]		114-2115		CAGE CODE	DRAWING NO		
3 PLC ± -		WEIGHT		A3 00779		RESTRICTED TO	
4 PLC ± -		-		G-63952		-	
ANGLES ± -		CUSTOMER DRAWING		SCALE	SHEET		
FINISH		2		5:1	1 OF 1		
MATERIAL		BRASS		REV		G	

单击下面可查看定价，库存，交付和生命周期等信息

[>>TE Connectivity\(泰科\)](#)