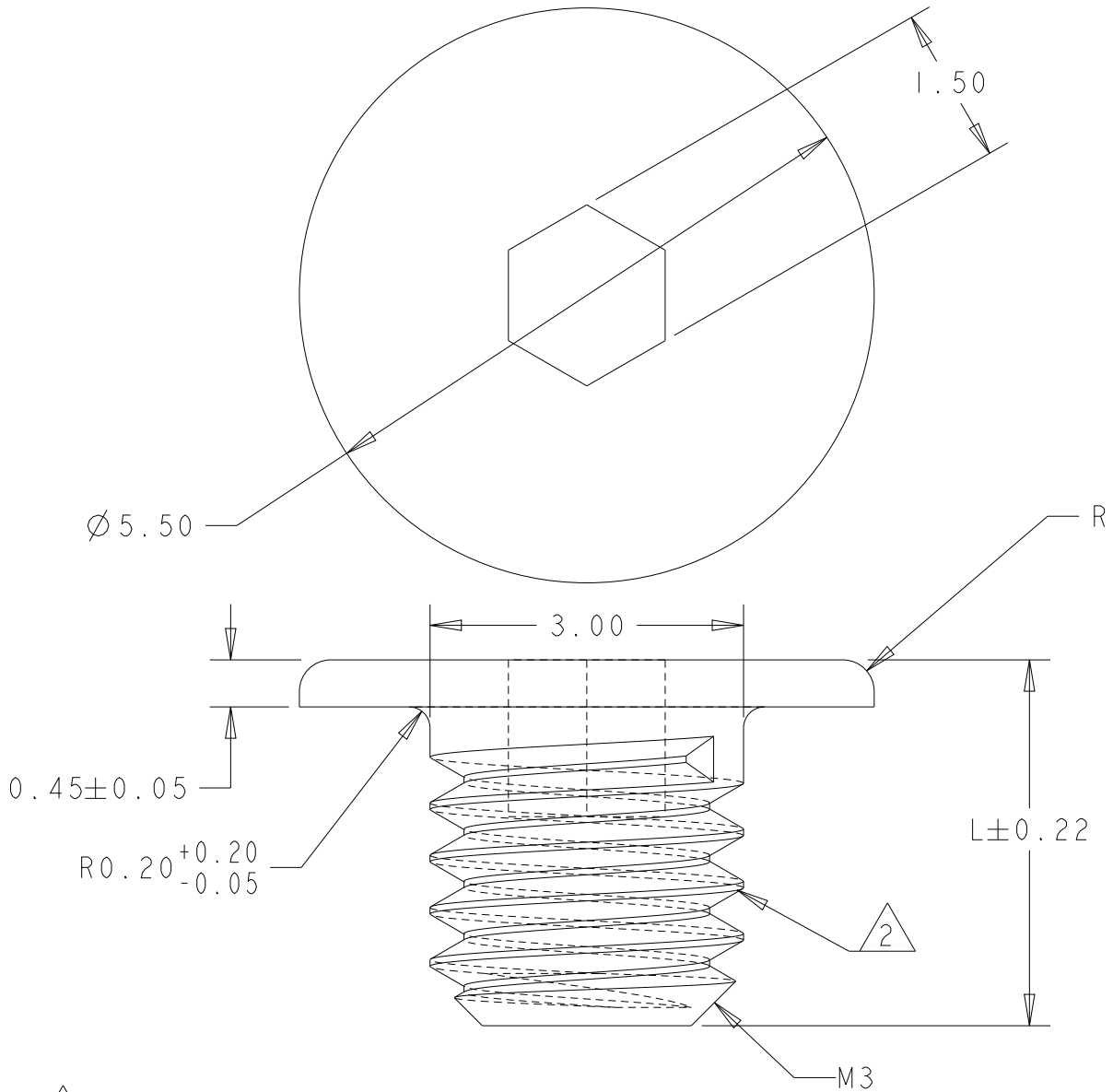


REVISIONS					
P	LTR	DESCRIPTION	DATE	DWN	APVD
	D2	REV PER ECR-18-008350	31MAY2018	ML	SZ
	D3	ADDED NEW DASH NUMBER -3	30SEP2019	CZ	SZ
	D5	ADD A DIAMETER DIM	30JUN2021	AL	SH
	D7	ADD SPEC FOR TORQUE	16SEP2021	AL	SH



1 MATERIAL: STAINLESS STEEL

2 YELLOW THREAD LOCKER APPLIED ON PORTION OF THREADS.

3 TORQUE FORCE 2 IN-LBS MAX.

NO	4.50	1410946-4
YES	4.50	1410946-3
YES	5.50	1410946-2
YES	3.50	1410946-1
2	L	PART NUMBER

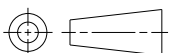
20
 RELEASED FOR PUBLICATION
 ALL RIGHTS RESERVED.
 BY - TE CONNECTIVITY
 COPYRIGHT 20

DIMENSIONS:

mm

TOLERANCES UNLESS OTHERWISE SPECIFIED:

0 PLC	±-
1 PLC	±-
2 PLC	±0.13
3 PLC	±0.013
4 PLC	±-
ANGLES	±2°



DWN	R. TREA	03AUG2004
CHK	G. GRIFFITH	03AUG2004
APVD	G. GRIFFITH	03AUG2004
PRODUCT SPEC	-	
APPLICATION SPEC	-	
WEIGHT	-	

MATERIAL	1 -	FINISH	-
NAME			
SOC. HD CAP SCREW CUSTOMIZED			
SIZE	CAGE CODE	DRAWING NO	RESTRICTED TO
A 4	-	C-1410946	

CUSTOMER DRAWING	SCALE	15:1	SHEET	1 OF 1	REV	D7
------------------	-------	------	-------	--------	-----	----

单击下面可查看定价，库存，交付和生命周期等信息

[>>TE Connectivity\(泰科\)](#)