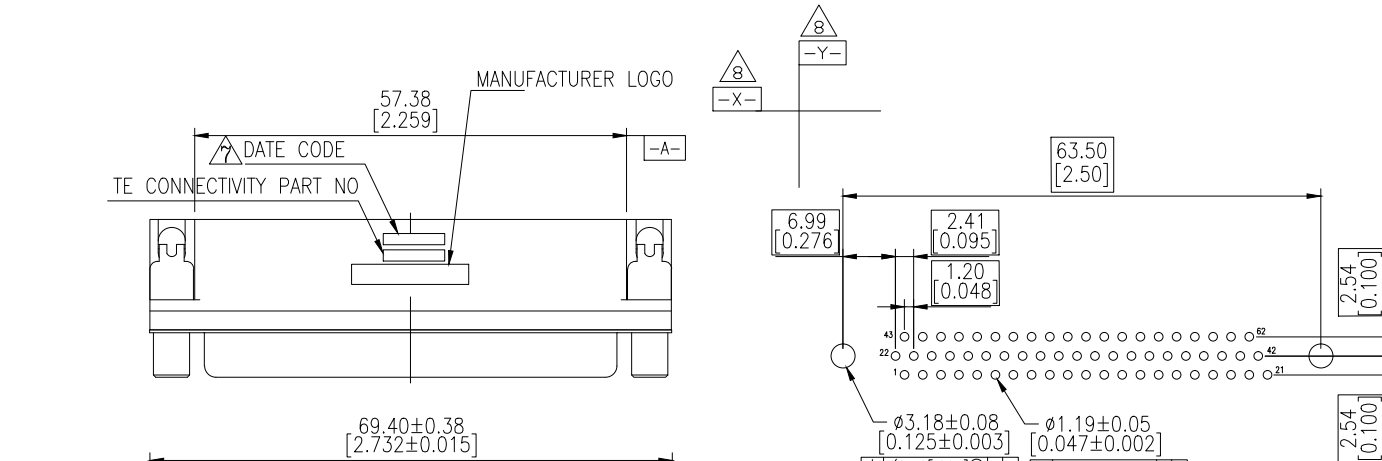


THIS DRAWING IS UNPUBLISHED. RELEASED FOR PUBLICATION
 © COPYRIGHT - By - ALL RIGHTS RESERVED.

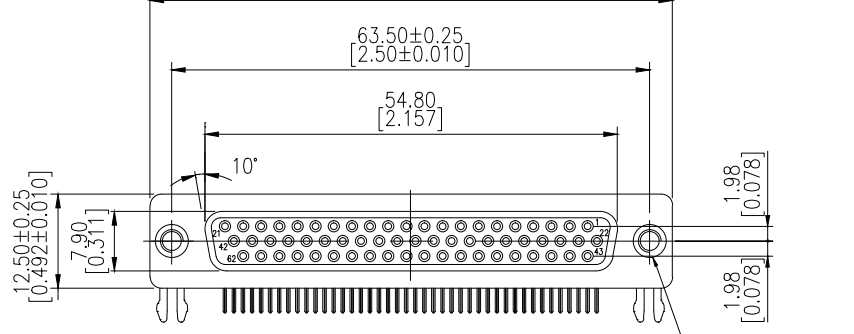
LOC	DIST	REVISIONS					
GP	00	P	LTR	DESCRIPTION	DATE	DWN	APVD
		B3		REVISED PER ECR-14-000726	30APR2014	S.C	H.L



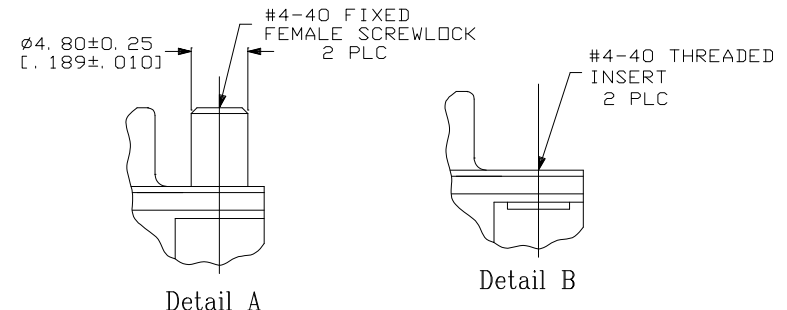
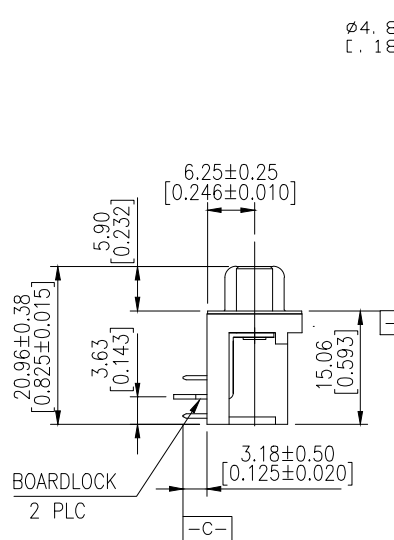
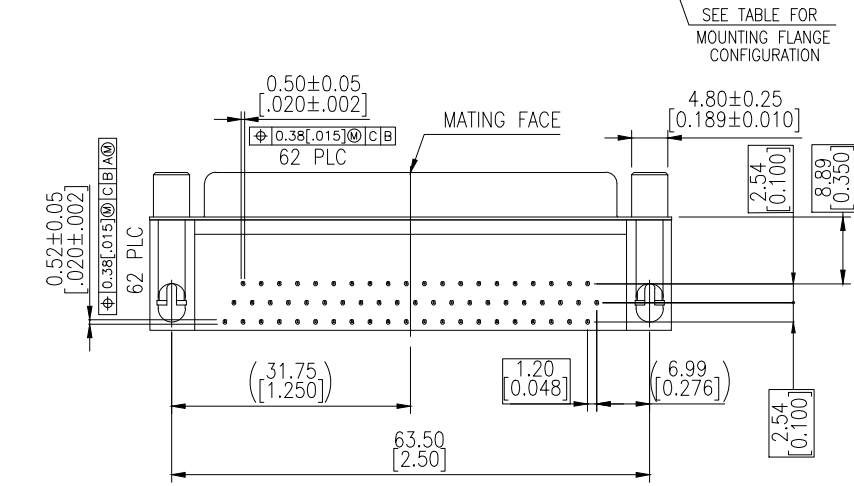
- HOUSING MATERIAL: PBT, GLASS FILLED, BLACK, UL 94V-0 RATED.
- CONTACT MATERIAL: PHOSPHOR BRONZE.
- CONTACT FINISH: GOLD PLATE IN MATING AREA (SEE TABLE), 120μ" MIN TIN PLATE ON SOLDER TAIL, BOTH OVER 50μ" MIN NICKEL UNDERPLATE.
- SHELL: STEEL, NICKEL PLATE.
- BOARDLOCK: BRASS, 100μ" MIN TIN PLATE.
- FEMALE SCREWLOCKS/ THREADED INSERTS: BRASS, NICKEL PLATE.

▲ FOUR DIGIT DATE CODE IN THIS FORMAT.
 Year 01 45 Manufacturing Week

▲ DATUMS -X- & -Y- TO BE ESTABLISHED BY CUSTOMER.
 ▲ OBSOLETE PARTS: OBSOLETE CIS STREAMLINING PER D.RENAUD/D.SINISI



RECOMMENDED PCB LAYOUT



OBSOLETE	Tray	Detail A	Gold flash	2-5748394-6
OBSOLETE	Tray	Detail A	15μ" MIN	2-5748394-5
OBSOLETE	Tray	Detail B	Gold flash	2-5748394-4
OBSOLETE	Tray	Detail B	15μ" MIN	2-5748394-3
OBSOLETE	Tray	Detail A	30μ" MIN	5748394-6
	Tray	Detail B	30μ" MIN	5748394-5

5748394-6, 2--5, & 2--6, SHOWN

DIMENSIONS:		TOLERANCES UNLESS OTHERWISE SPECIFIED:		NAME	
mm	(INCHES)			SIZE	CAGE CODE
0 PLC		±	-	A2	00779
1 PLC		±	0.30	DRAWING NO	
2 PLC		±	0.20	RESTRICTED TO	
3 PLC		±	0.10	C=5748394	
4 PLC		±	0.10	CUSTOMER DRAWING	
ANGLES			± 2°	SCALE 2:1	
MATERIAL		FINISH		SHEET 1 of 1	
				REV B3	

5748394

A

单击下面可查看定价，库存，交付和生命周期等信息

[>>TE Connectivity\(泰科\)](#)