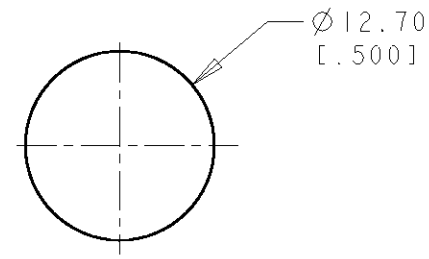


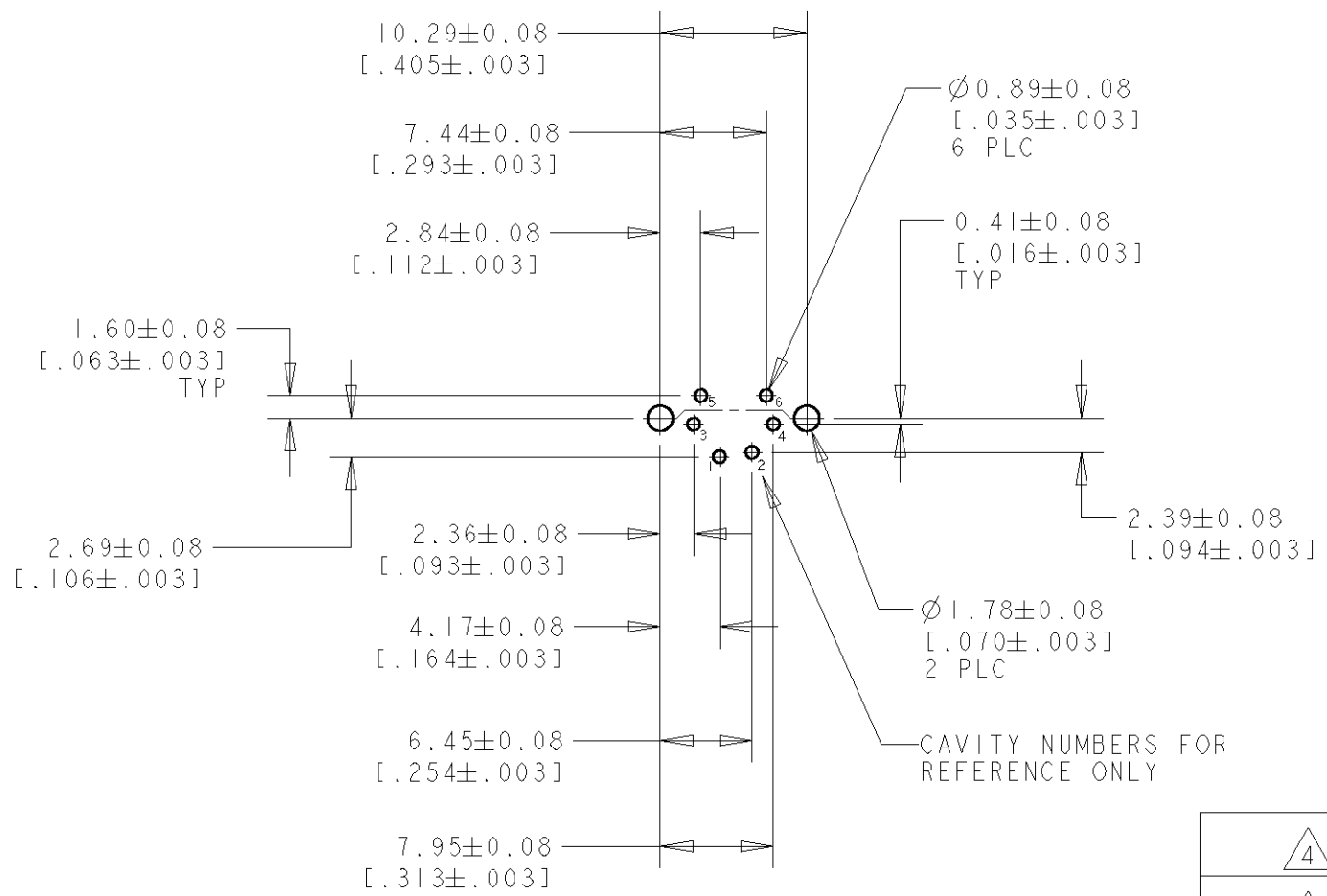
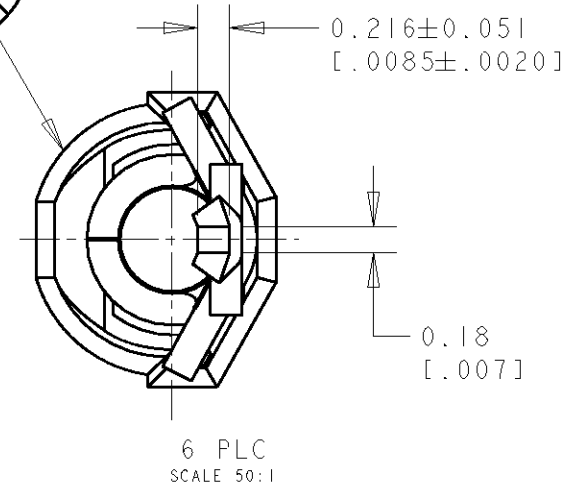
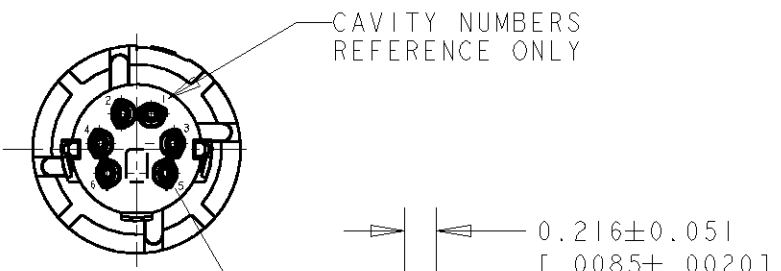
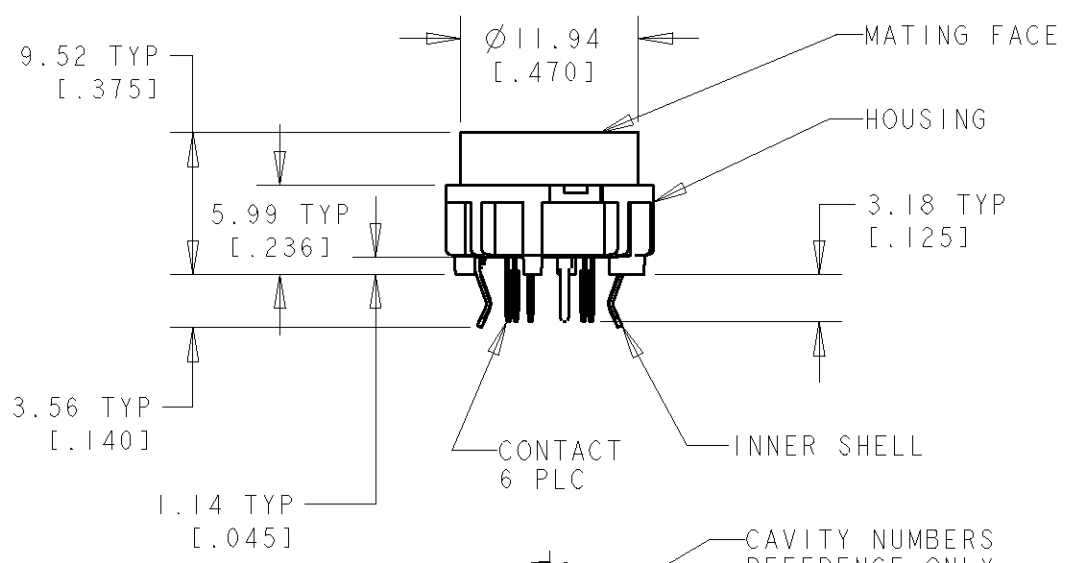
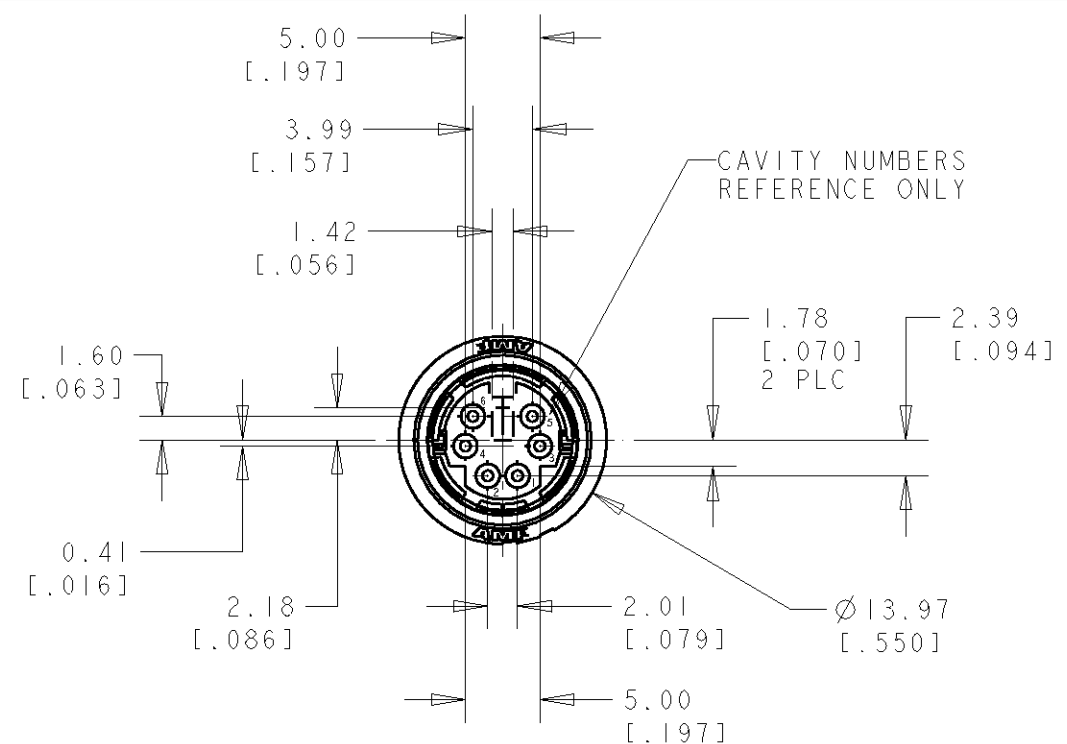
THIS DRAWING IS UNPUBLISHED. RELEASED FOR PUBLICATION .19  
 © COPYRIGHT 19 BY AMP INCORPORATED. ALL RIGHTS RESERVED.

LOC	DIST	REVISIONS			
P	LTR	DESCRIPTION	DATE	DWN	APVD
		0 NPR ECR-05-008266	21JUN05	LWY	SYJ

- NOTES:
- 1 SHELLS: BRASS  
CONTACTS: PHOSPHOR BRONZE  
HOUSING: POLYESTER, UL 94V-0 RATED, BLACK
  - 2 0.76um [.000030] MIN GOLD ON MATING END FOR A LENGTH OF 1.37[.054] MIN ON INSIDE, 2.540um [.000100] MIN TIN FOR A LENGTH OF 3.30um [.130] MIN FROM OPPOSITE END, ALL OVER 1.27um [.000050] MIN NICKEL.
  - 3 0.38um [.000015] MIN GOLD ON MATING END FOR A LENGTH OF 1.37[.054] MIN ON INSIDE, 2.540um [.000100] MIN TIN FOR A LENGTH OF 3.30um [.130] MIN FROM OPPOSITE END, ALL OVER 1.27um [.000050] MIN NICKEL.
  - 4 2.54um [.000100] MIN TIN OVER 1.27um [.000050] MIN COPPER
  - 5. RECEPTACLE ASSEMBLY MATES WITH 6 PIN, Ø8.99±0.10 [.354±.004] PLUG.



RECOMMENDED PANEL CUT-OUT



RECOMMENDED PC BOARD LAYOUT  
BOTTOM VIEW

4	2	5750327-2
4	3	5750327-1
INNER SHELL FINISH	CONTACT FINISH	PART NO.

THIS DRAWING IS A CONTROLLED DOCUMENT FOR AMP INCORPORATED. IT IS SUBJECT TO CHANGE AND THE CONTROLLING ENGINEERING ORGANIZATION SHOULD BE CONTACTED FOR THE LATEST REVISION.		DWN WYLEE 21JUN2005	<b>tyco</b> Tyco Electronics Singapore Pte. Ltd.	
DIMENSIONS: mm [INCHES]		CHK YJ SEE	NAME RECEPTACLE ASSEMBLY, 6 POSN, LOW FLANGE, UNSHIELDED, VERTICAL, MINIATURE CIRCULAR DIN, LF	
TOLERANCES UNLESS OTHERWISE SPECIFIED:		APVD SF LEONG	SIZE A3	CAGE CODE 00779
0 PLC ± -	1 PLC ± -	PRODUCT SPEC -	DRAWING NO 5750327	SCALE 10:1
2 PLC ± 0.13 [.005]	3 PLC ± -	APPLICATION SPEC -	SHEET 1	OF 1
4 PLC ± -	ANGLES ± -	WEIGHT -	REV 0	
MATERIAL 1	FINISH SEE TABLE	CUSTOMER DRAWING		

单击下面可查看定价，库存，交付和生命周期等信息

[>>TE Connectivity\(泰科\)](#)