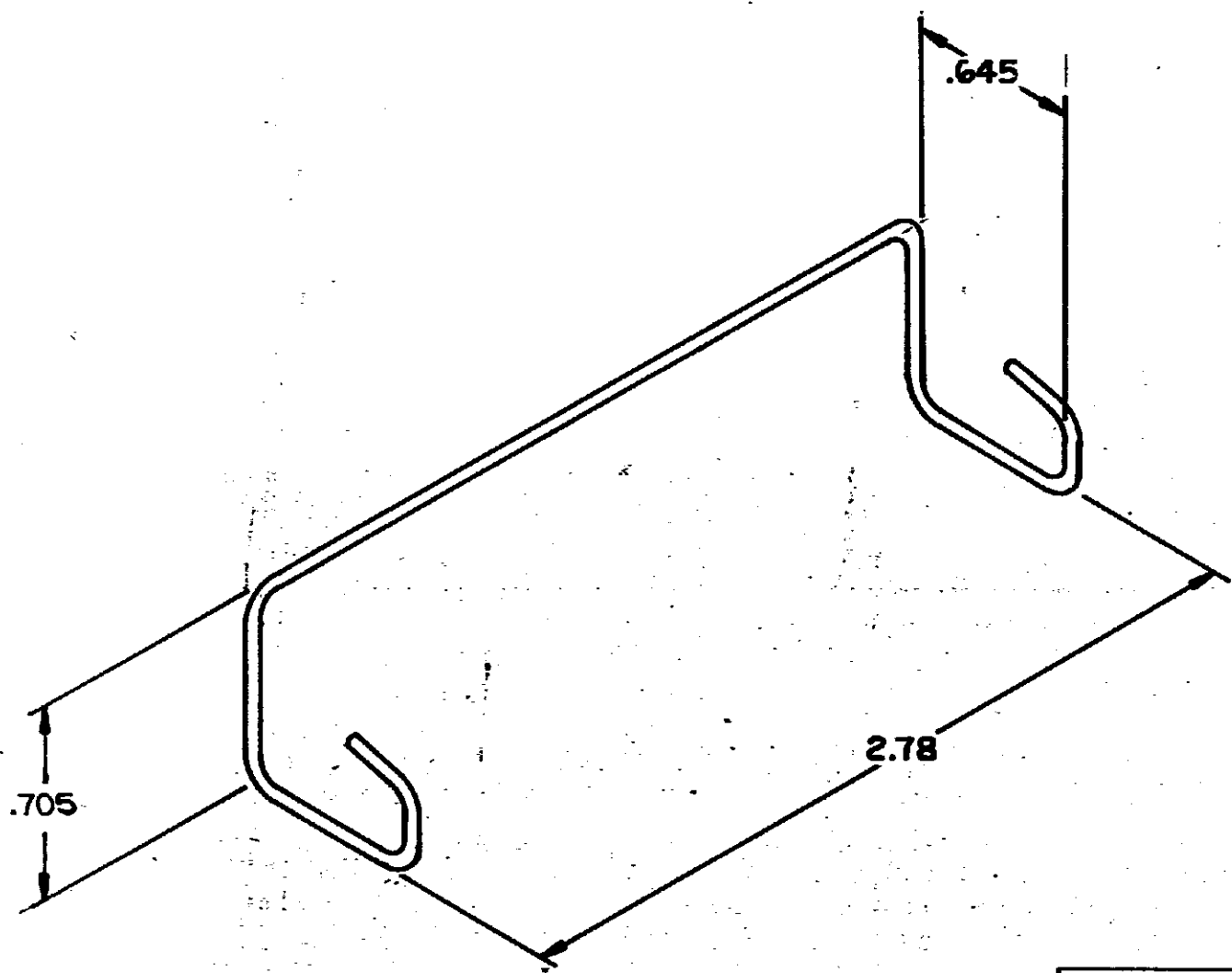


DRAWING MADE IN THIRD ANGLE PROJECTION

THIS DRAWING IS UNPUBLISHED. RELEASED FOR PUBLICATION . 19
COPYRIGHT © 19 BY AMP INCORPORATED, HARRISBURG, PA. ALL INTERNATIONAL RIGHTS RESERVED. AMP PRODUCTS MAY BE COVERED BY U.S. AND FOREIGN PATENTS AND/OR PATENTS PENDING.

P		F		ZONE		LTR		DESCRIPTION		DATE	APPROVED
A	✓			A		REV	ECN	AA-3439	12-4-86	SD	SD

D
C
B
A



1. ALL DIMENSIONS SHOWN ARE MAXIMUM UNLESS OTHERWISE SPECIFIED.
 2 MATERIAL: STAINLESS STEEL WIRE, .050 DIA.

554099-1

UNLESS OTHERWISE SPECIFIED DIMENSIONS ARE IN INCHES. TOLERANCES ON: DECIMALS ± .005 ANGLES ± .5°		CONTRACT NO DR <i>A. Garty</i> 1/15/86 CHK <i>A. Fox</i> 1-16-86		AMP AMP INCORPORATED Harrisburg, Pa.	
MATERIAL ②		NAME <i>W. K. Kutzbach</i> 1-17-86 <i>W. K. Kutzbach</i> 1-17-86		CLIP, STRAIN RELIEF, FLAT CABLE, CHAMP LATCH	
FINISH ②		DESIGN APPD	OTHER APPD	SIZE B	FSCM NO 00779
				DRAWING NO 554099	PART NO 554099-1
				SCALE 2:1	SHEET 1 OF 1

AMP 1470-15 REV 2-81

CUSTOMER DRAWING

单击下面可查看定价，库存，交付和生命周期等信息

[>>TE Connectivity\(泰科\)](#)