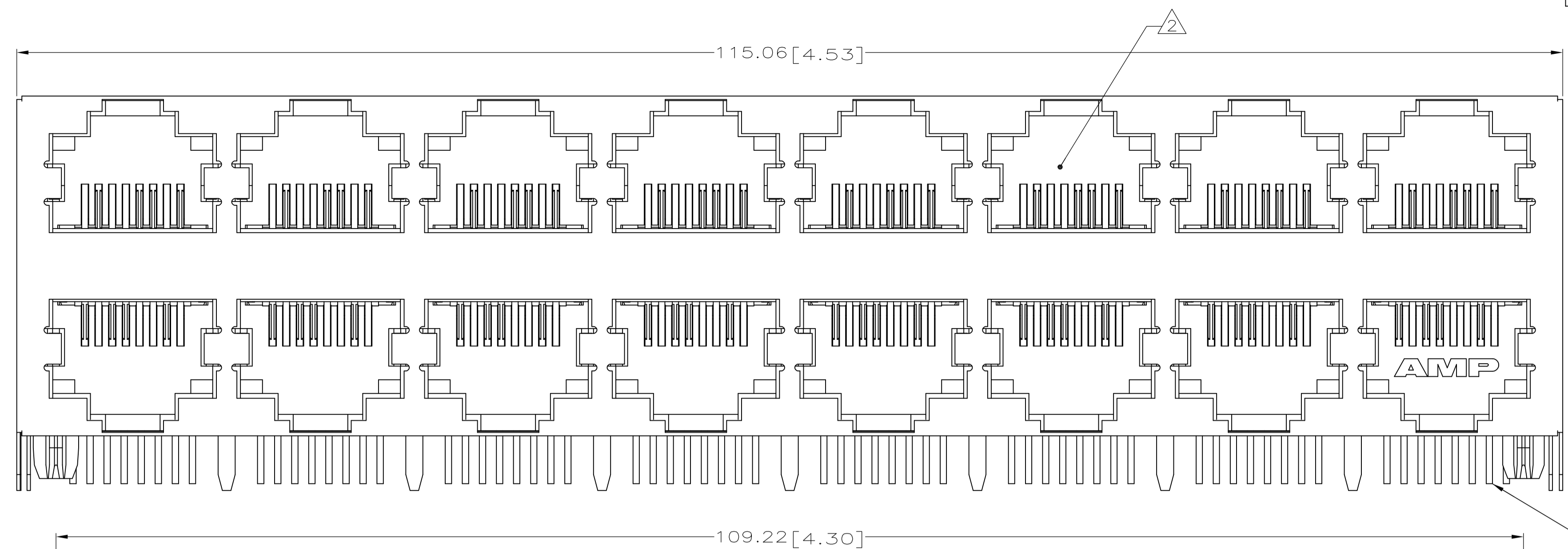
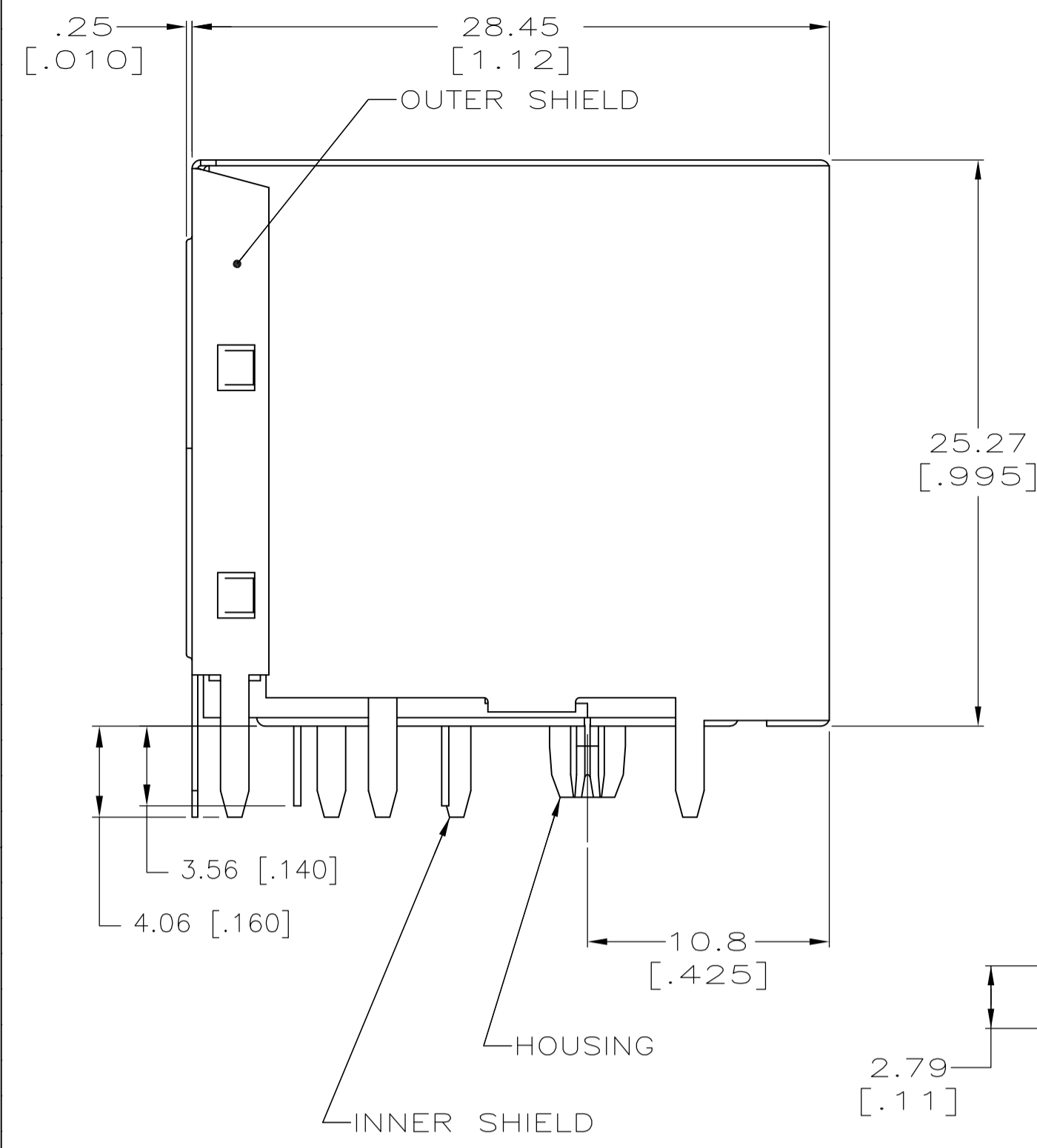


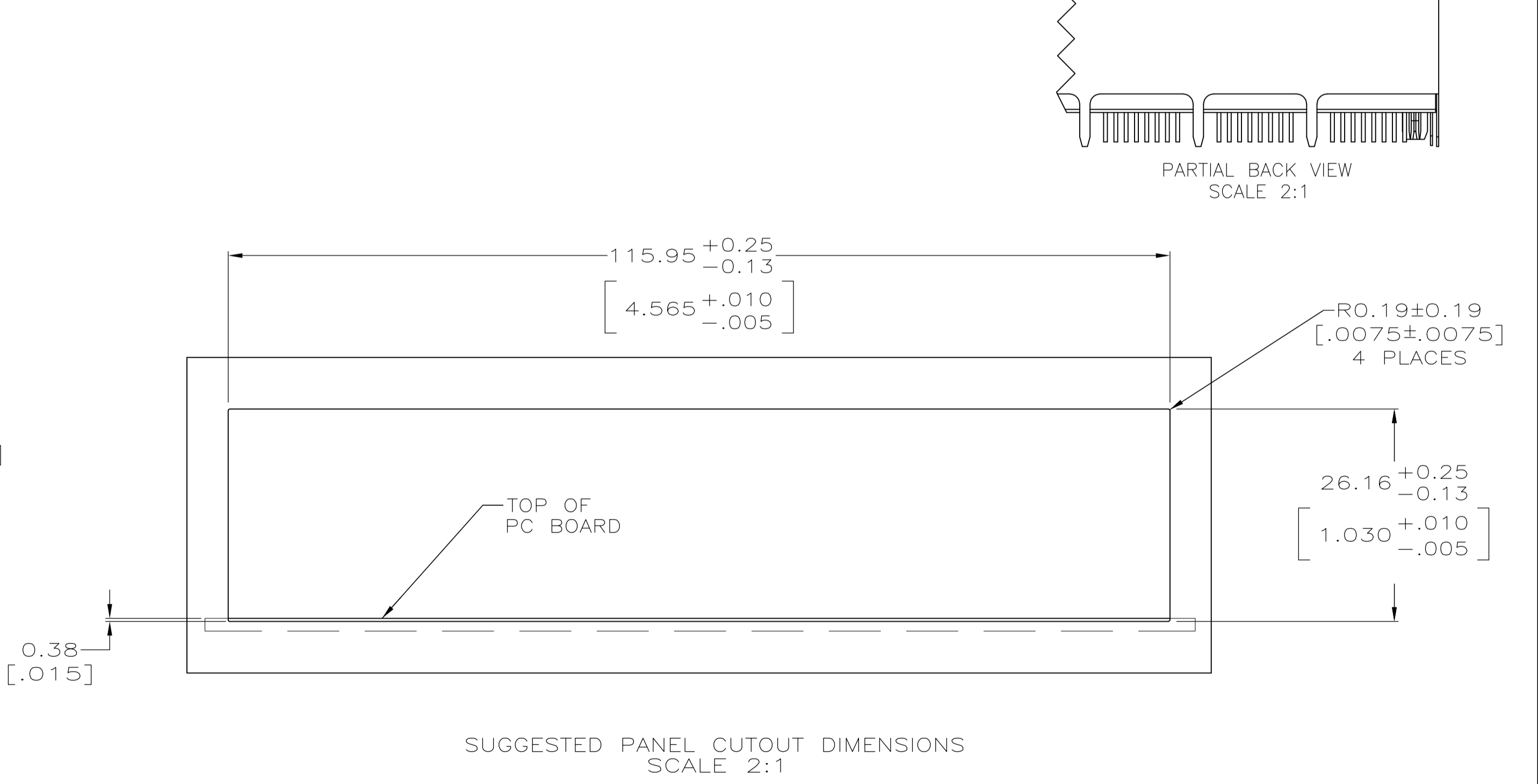
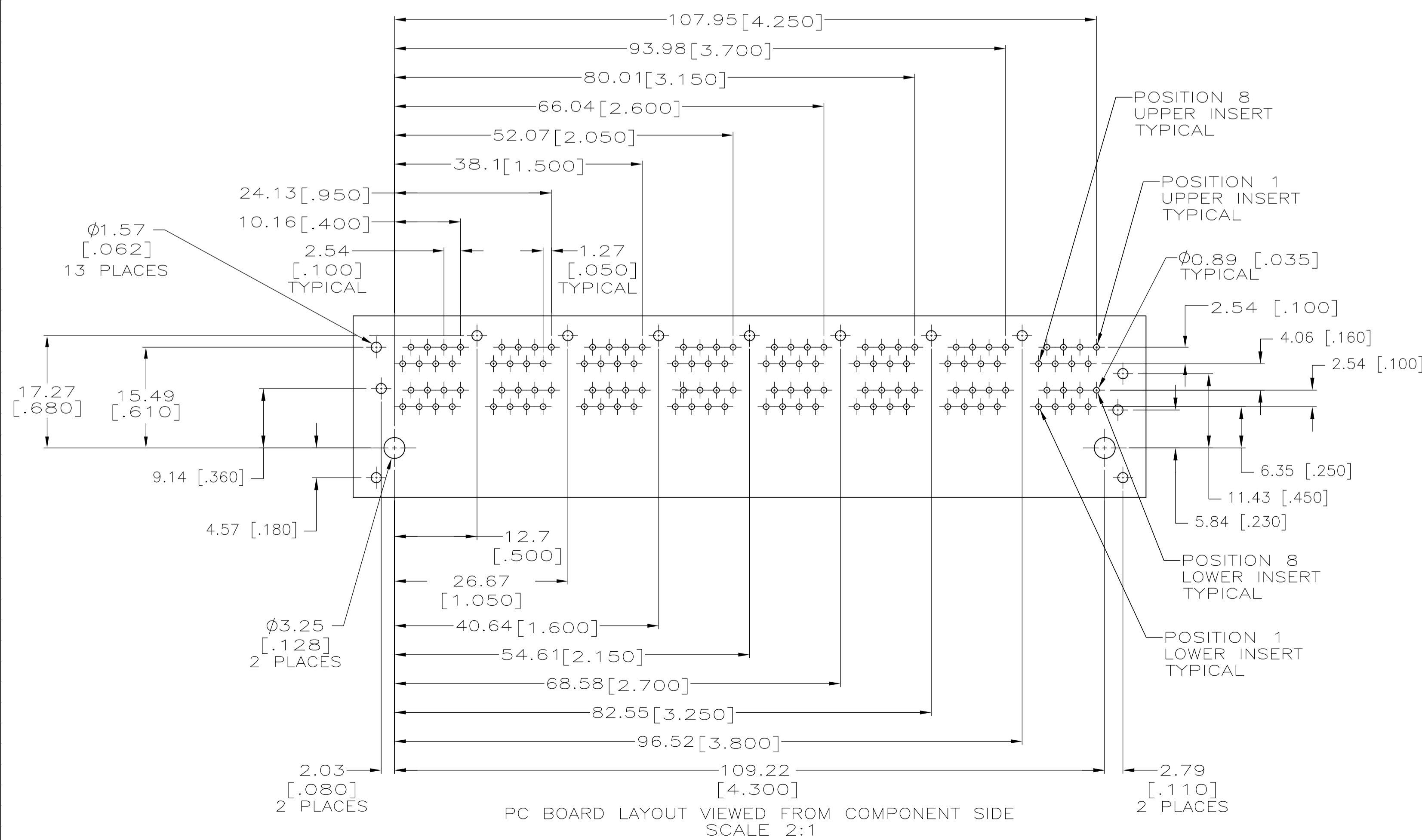
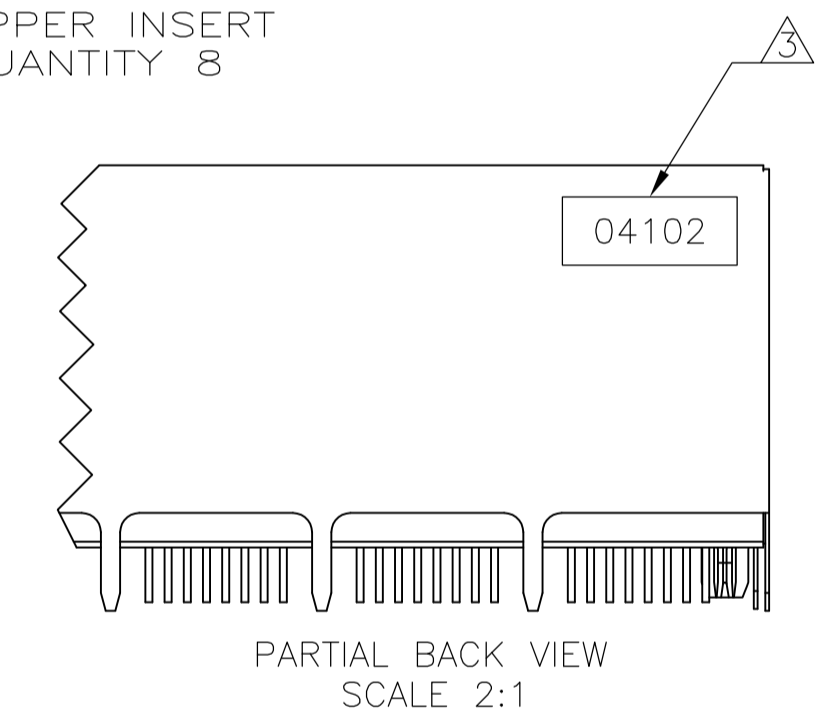
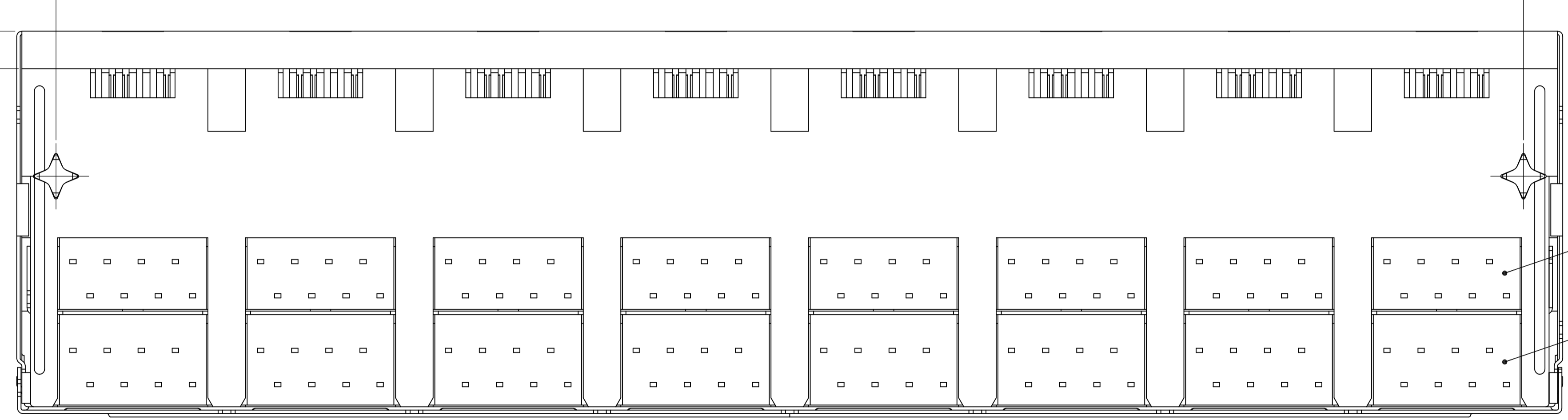
LOC		DIST		REVISIONS			
AA	22	F	LTR	DESCRIPTION	DATE	DWN	APVD
		A1		REVISED ECR-08-031628	03DEC08	AZ	SY



MATERIAL:
 HOUSING - PCT POLYESTER, BLACK, UL94V-0.
 OVERMOLDED TERMINAL ARRAY - PBT, BROWN.
 TERMINALS - 0.33 [.013] THICK PHOS BRONZE
 PLATED WITH 1.27um [.000050] MIN THICK
 HARD GOLD IN LOCALIZED AREA AND 3.81um
 [.000150] MIN THICK MATTE TIN IN SOLDER
 AREA OVER 1.27um [.000050] MIN THICK
 NICKEL UNDERPLATE.
 SHIELDS - 0.25 [.010] THICK COPPER ALLOY
 PLATED WITH 1.27 um [.000050] MINIMUM NICKEL
 AND 2.03 um [.000080] MINIMUM HOT TIN DIP
 ON PCB GROUND TABS.

**JACK CAVITY CONFORMS TO FCC RULES AND
 REGULATIONS, PART 68 SUBPART F.**

**DATE CODE LOCATED ON REAR OF PART
 APPROXIMATELY AS SHOWN:
 FIRST 2 DIGITS ARE LAST 2 DIGITS OF YEAR,
 SECOND 2 DIGITS ARE MANUFACTURING
 WORK WEEK,
 LAST DIGIT IS DAY OF WEEK, WITH SUNDAY = 1.**



THIS DRAWING IS A CONTROLLED DOCUMENT.		DIN A. FERNANDEZ-DOCK5 15JUN2005	Tyco Electronics Corporation Harrisburg, PA 17105-3608
DIMENSIONS: mm [INCHES]		CHK J. WESTMAN 15JUN2005	NAME S. FLICKINGER 15JUN2005
TOLERANCES UNLESS OTHERWISE SPECIFIED: 0 PLC ± - 1 PLC ± - 2 PLC ± 0.25(.01) 3 PLC ± 0.13(.005) 4 PLC ± - ANGLES ± ± -		PRODUCT SPEC 108-1163-2	APPLICATION SPEC 114-2048
MATERIAL		SIZE A1	CAGE CODE 00779
FINISH		SCALE 4:1	DRAWING NO. 5569259
		SHEET 1 of 1	REV A1
		CUSTOMER DRAWING	

5569259-1
 PART NUMBER

STACKED MODULAR JACK ASSEMBLY,
 2 X 8 PORT, 8 POSITION, SHIELDED,
 PRINTED CIRCUIT BOARD GROUND, CATEGORY 5

单击下面可查看定价，库存，交付和生命周期等信息

[>>TE Connectivity\(泰科\)](#)