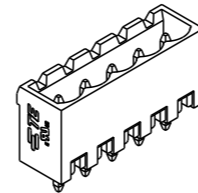


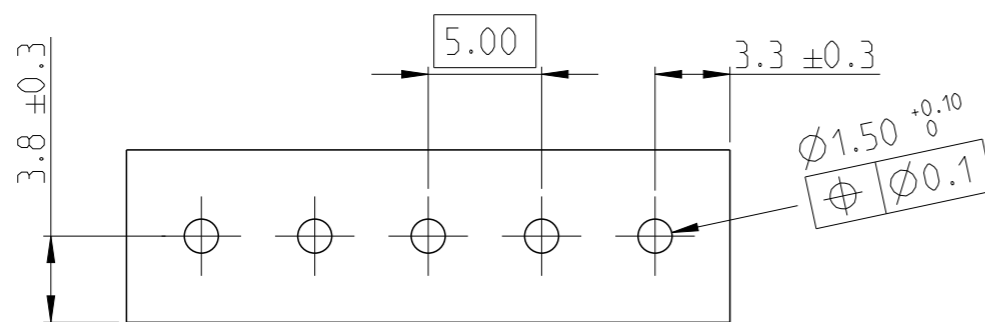
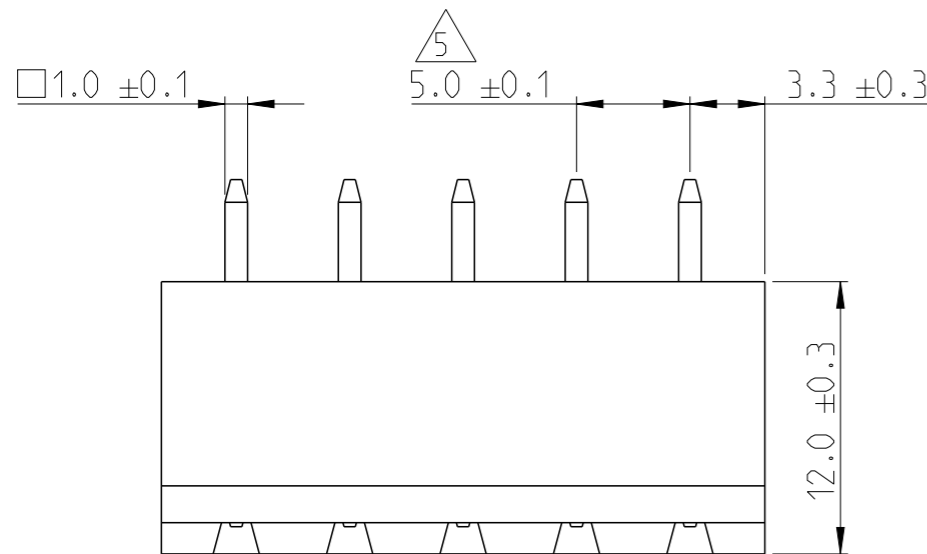
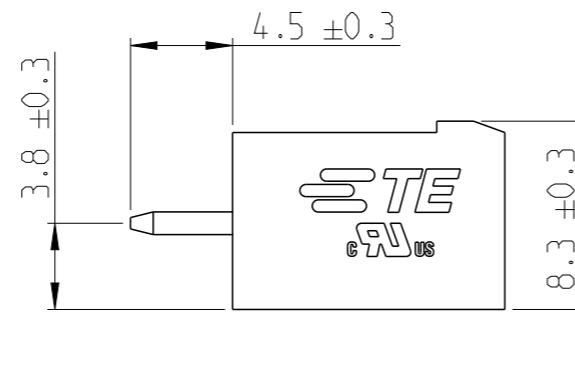
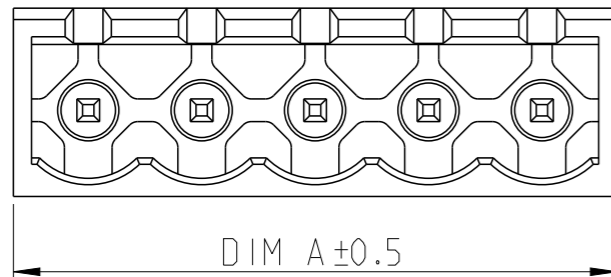
P	LTR	DESCRIPTION	DATE	DWN	APVD
	A	RELEASED FOR PRODUCTION	06UG2019	RK	PS

1:1



NOTES:

- MATERIAL AND FINISH:
HOUSING : POLYAMIDE 66, UL94V-0, COLOR GREEN.
TERMINAL : COPPER ALLOY, TIN PLATED.
 - MECHANICAL
MIN. PC BOARD HOLES DIAMETER : 1.5 mm
 - ELECTRICAL
RATED VOLTAGE : 300 V
RATED CURRENT : 16 A
INSULATION RESISTANCE : >2000 M Ohm (500V DC)
 - OPERATING TEMPERATURE RANGE: -40°C TO +105°C
- △ NOT CUMULATIVE TOLERANCE.



RECOMMENDED PC BOARD LAYOUT

81.6	16	1-2351885-6
76.6	15	1-2351885-5
71.6	14	1-2351885-4
66.6	13	1-2351885-3
61.6	12	1-2351885-2
56.6	11	1-2351885-1
51.6	10	1-2351885-0
46.6	9	2351885-9
41.6	8	2351885-8
36.6	7	2351885-7
31.6	6	2351885-6
26.6	5	2351885-5
21.6	4	2351885-4
16.6	3	2351885-3
11.6	2	2351885-2
DIM A	NO. OF POS	PART NUMBER

THIS DRAWING IS A CONTROLLED DOCUMENT.		DWN 12APR2019 RAGHAVENDRA.K	TE Connectivity		
DIMENSIONS: mm		CHK 01JUL2019 KARTHIK.JK			
TOLERANCES UNLESS OTHERWISE SPECIFIED:		APVD 02JUL2019 PRASHANTH.S	NAME HEADER 180 DEG. 5.0mm PITCH TAIL LENGTH 4.5mm		
0 PLC ± 1 PLC ± 2 PLC ± 3 PLC ± 4 PLC ± ANGLES ±		PRODUCT SPEC -	APPLICATION SPEC -		
MATERIAL SEE NOTES		WEIGHT -	SIZE A3	CAGE CODE 00779	DRAWING NO C-2351885
FINISH SEE NOTES		CUSTOMER DRAWING		RESTRICTED TO -	SCALE 3:1
				SHEET 1 OF 1	REV A

单击下面可查看定价，库存，交付和生命周期等信息

[>>TE Connectivity\(泰科\)](#)