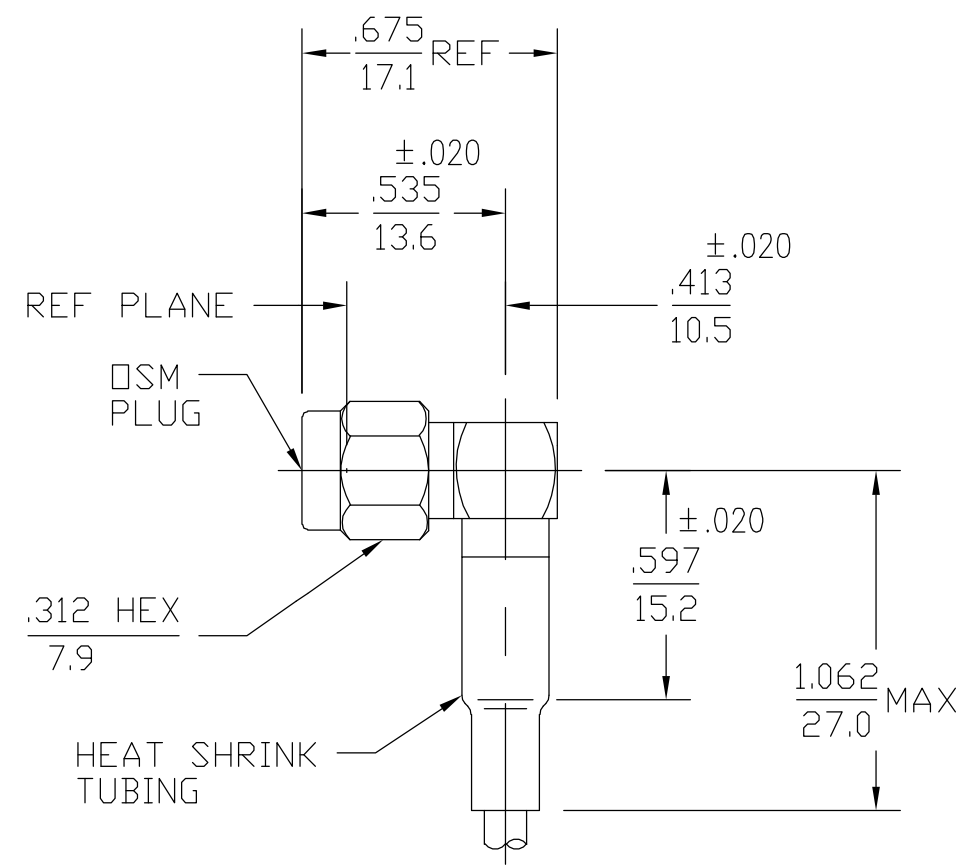


THIS DRAWING IS UNPUBLISHED. RELEASED FOR PUBLICATION
 © COPYRIGHT BY TYCO ELECTRONICS CORPORATION. ALL RIGHTS RESERVED.

| LOC | DIST | REVISIONS | | | |
|-----|------|-------------|----------------------|---------|-------|
| P | LTR | DESCRIPTION | DATE | DWN | APVD |
| DF | X5 | B | REV PER 0H14-0250-05 | 06MAR06 | PY FB |



- 1. FOR USE WITH CABLE RD-316/U
- △2 TIN-LEAD PLATED PER MIL-C-14550
- △3 MATTE TIN PLATE PER ASTM-B-545

| | | |
|---------|-------------|-------------|
| △3 | 5-1406143-1 | 5-1046251-1 |
| △2 | 1406143-1 | 1046251-1 |
| FERRULE | | PART NUMBER |

| | | | | | |
|--|--|--------------------|-----------|---|--|
| THIS DRAWING IS A CONTROLLED DOCUMENT. | | DWN P. YEAGER | 03MAR2006 | Tyco Electronics Corporation Harrisburg, Pa 17105-3608 | |
| DIMENSIONS: INCHES | | CHK F. BLASICK | 06MAR06 | | |
| | | APVD F. BLASICK | 06MAR06 | NAME OSM RIGHT ANGLE CABLE PLUG CRIMP ATTACHMENT | |
| TOLERANCES UNLESS OTHERWISE SPECIFIED: | | PRODUCT SPEC | | RESTRICTED TO | |
| 0 PLC ± - | | APPLICATION SPEC | | SIZE | |
| 1 PLC ± - | | WEIGHT | | CAGE CODE | |
| 2 PLC ± - | | CUSTOMER DRAWING | | DRAWING NO | |
| 3 PLC ± - | | SCALE | | SHEET | |
| 4 PLC ± - | | 2:1 | | 1 OF 1 | |
| ANGLES ± - | | REV | | B | |
| FINISH | | A3 | | 00779 | |
| MATERIAL | | G-1046251 | | REV | |

单击下面可查看定价，库存，交付和生命周期等信息

[>>TE Connectivity\(泰科\)](#)