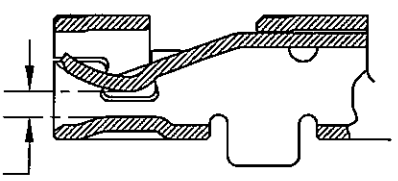
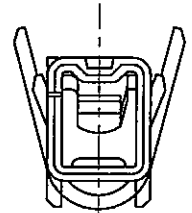
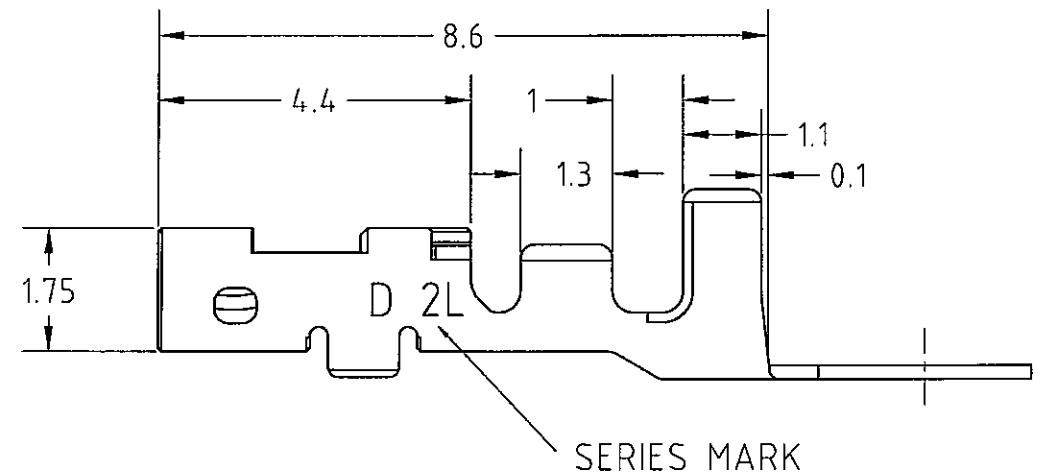
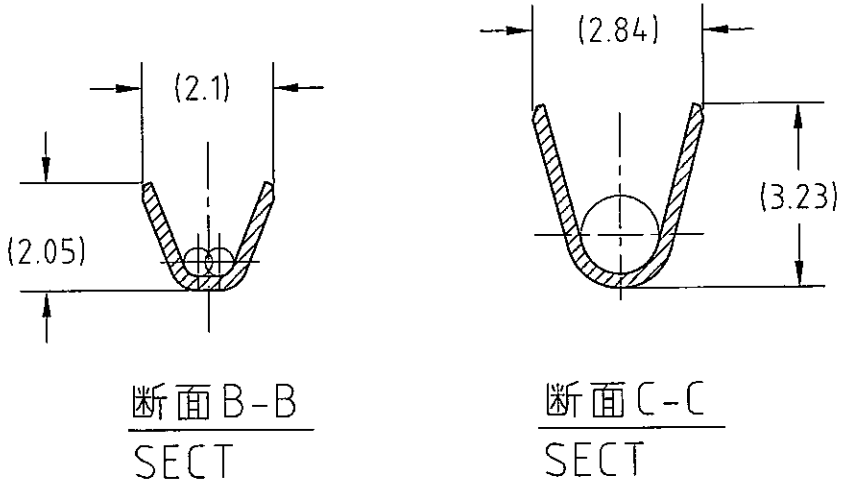
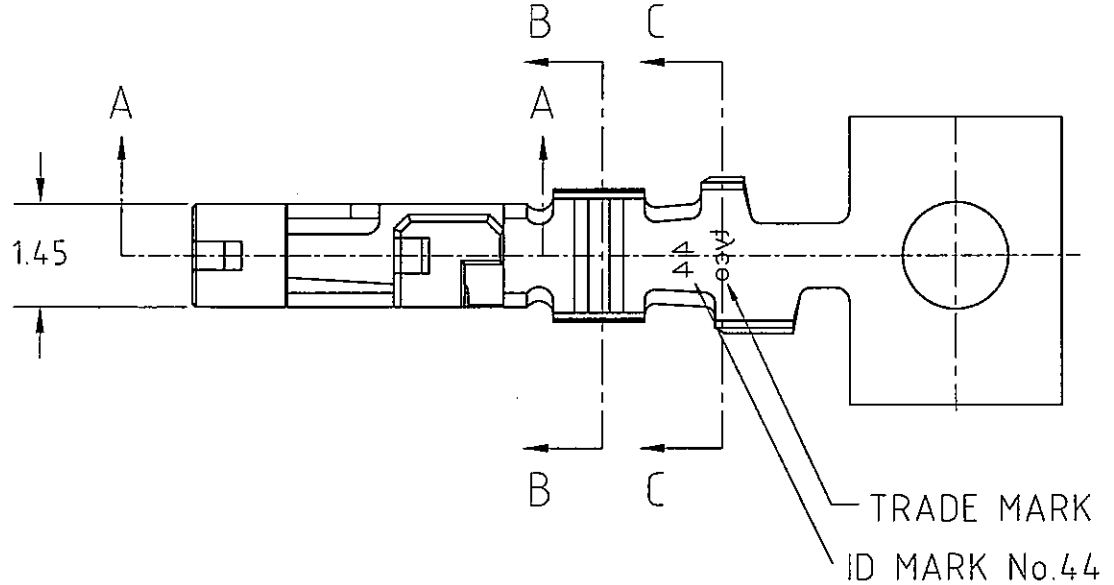


THIS DRAWING IS UNPUBLISHED. RELEASED FOR PUBLICATION  
 © COPYRIGHT BY TYCO ELECTRONICS CORPORATION. ALL RIGHTS RESERVED.

LOC	DIST	REVISIONS					
J	-	P	LTR	DESCRIPTION	DATE	DWN	APVD
		A		RELEASED	21APR2010	T.K	T.M



注記  
 1. 適用プラグハウジング 型番 X-1747066-X

NOTES  
 1. APPLICABLE PLUG HOUSING P/N X-1747066-X

AWG#22~#18 0.34~0.86mm <sup>2</sup>	φ1.4~φ2.2	PRE-TIN COPPER ALLOY 錫めっき済銅合金	2134384-1
WIRE RANGE 導体断面積	INSULATION DIA 被覆外径	MATERIAL 材料	PART NO. 型番

THIS DRAWING IS A CONTROLLED DOCUMENT.		DWN T.KUDO 21APR2010	Tyco Electronics Corporation Kawasaki, Japan	
DIMENSIONS: 単位: 粋 mm		CHK N.YAMASAKI 21APR2010	Tyco Electronics	
TOLERANCES UNLESS OTHERWISE SPECIFIED: 一般公差		APVD T.MASUDA 21APR2010	NAME 名称	
0/PLC ± 0.3		PRODUCT SPEC 製品規格 108-78307	GRACE INARTIA CONNECTOR 2.5 REC CONTACT TIN PLATE TYPE (2L TYPE)	
1/R/C ±		APPLICATION SPEC 取付適用規格 114-5359	SIZE A3	CAGE CODE 00779
2/P/C ±		WEIGHT	DRAWING NO 番号 C-2134384	RESTRICTED TO
3/PLC ±		CUSTOMER DRAWING		
4/PLC ±		SCALE 尺度 10:1		
ANGLES ± 3deg		SHEET 1 OF 1		
MATERIAL 材料	FINISH 仕上	REV A		

单击下面可查看定价，库存，交付和生命周期等信息

[>>TE Connectivity\(泰科\)](#)