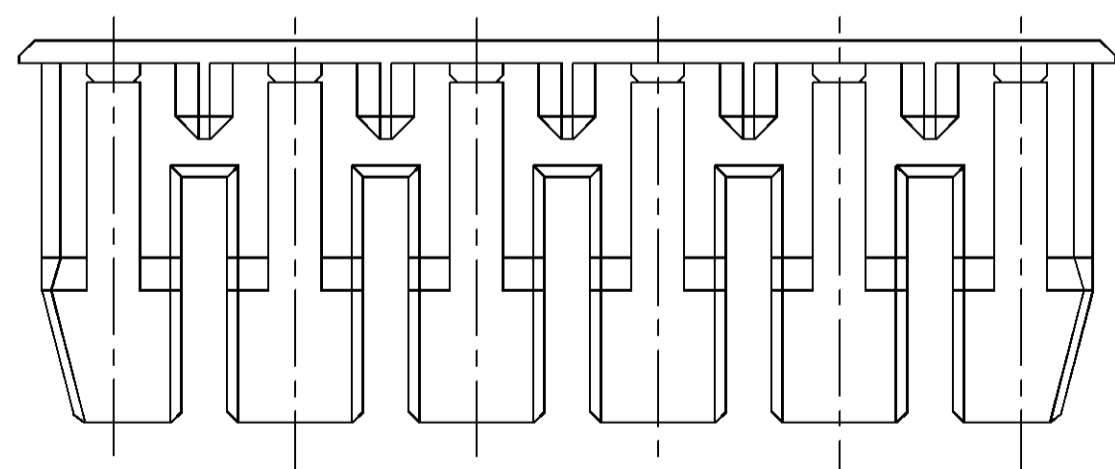
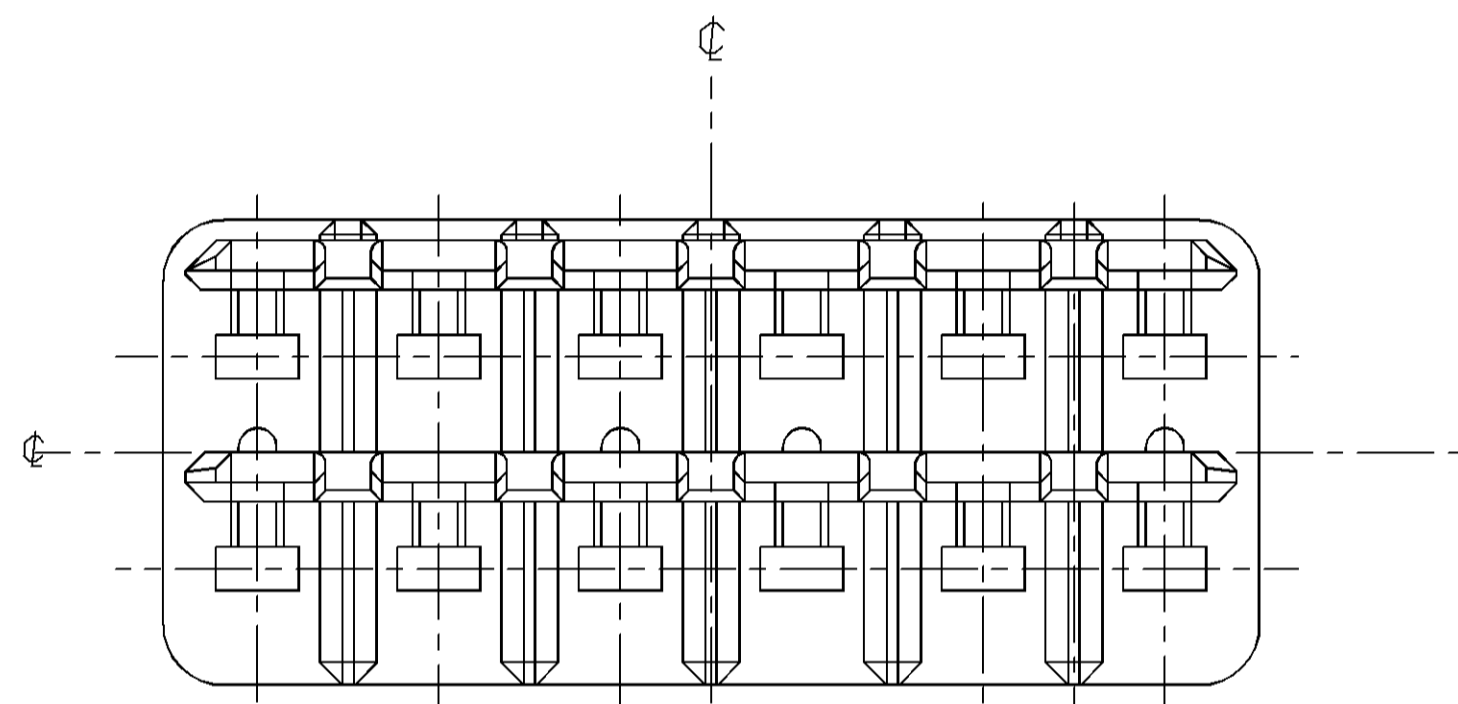
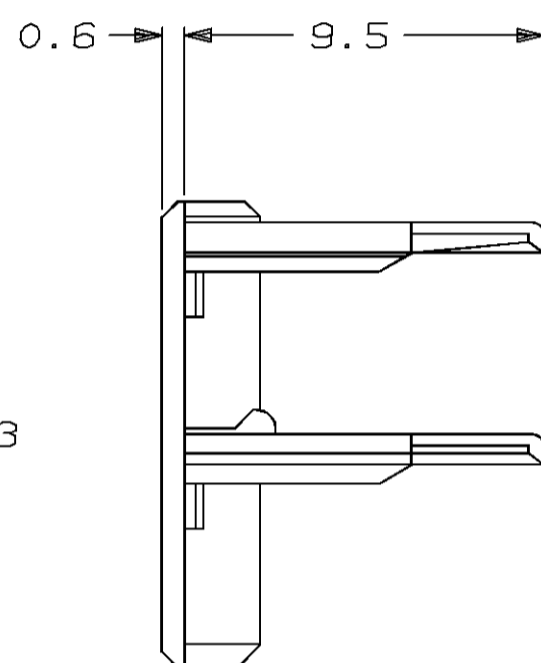
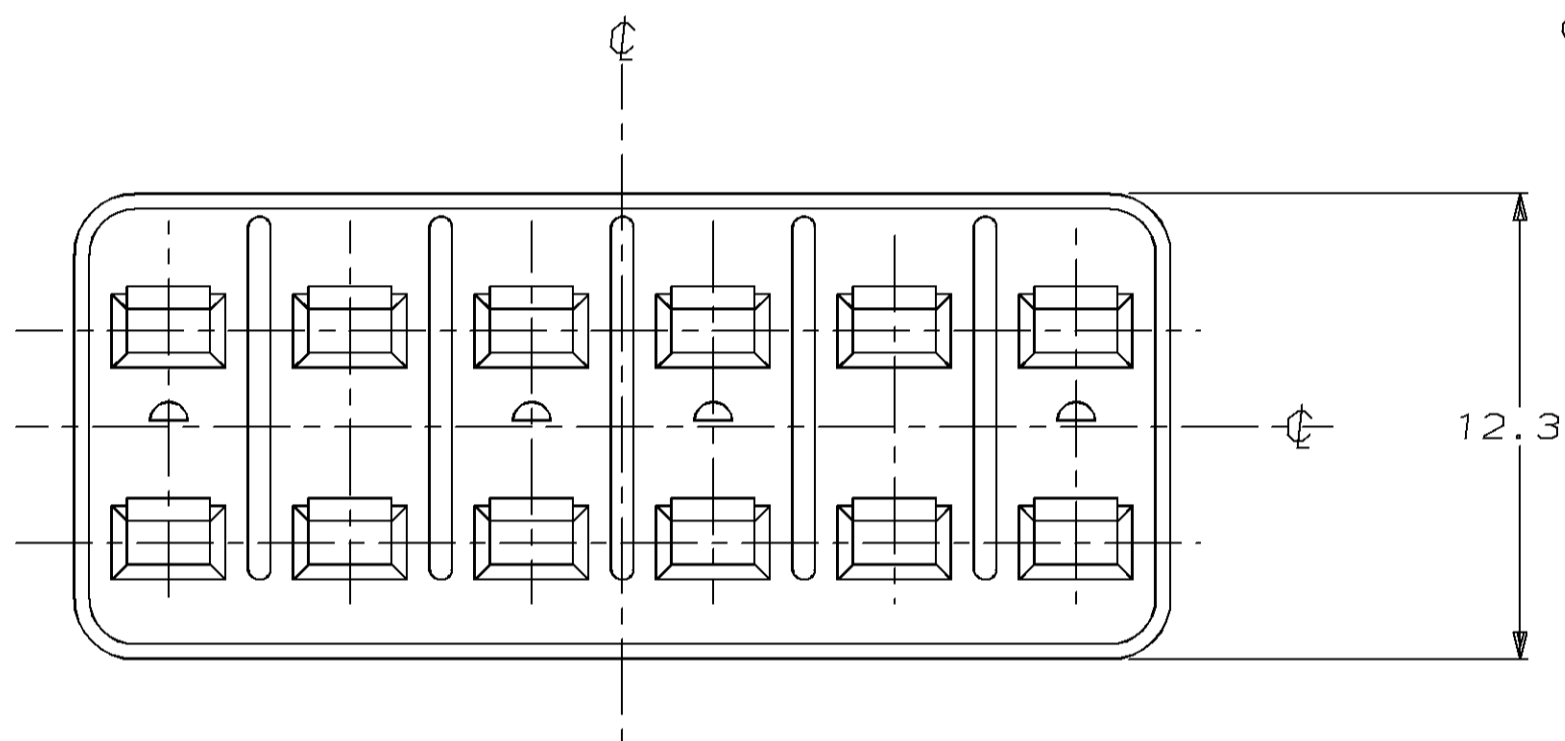
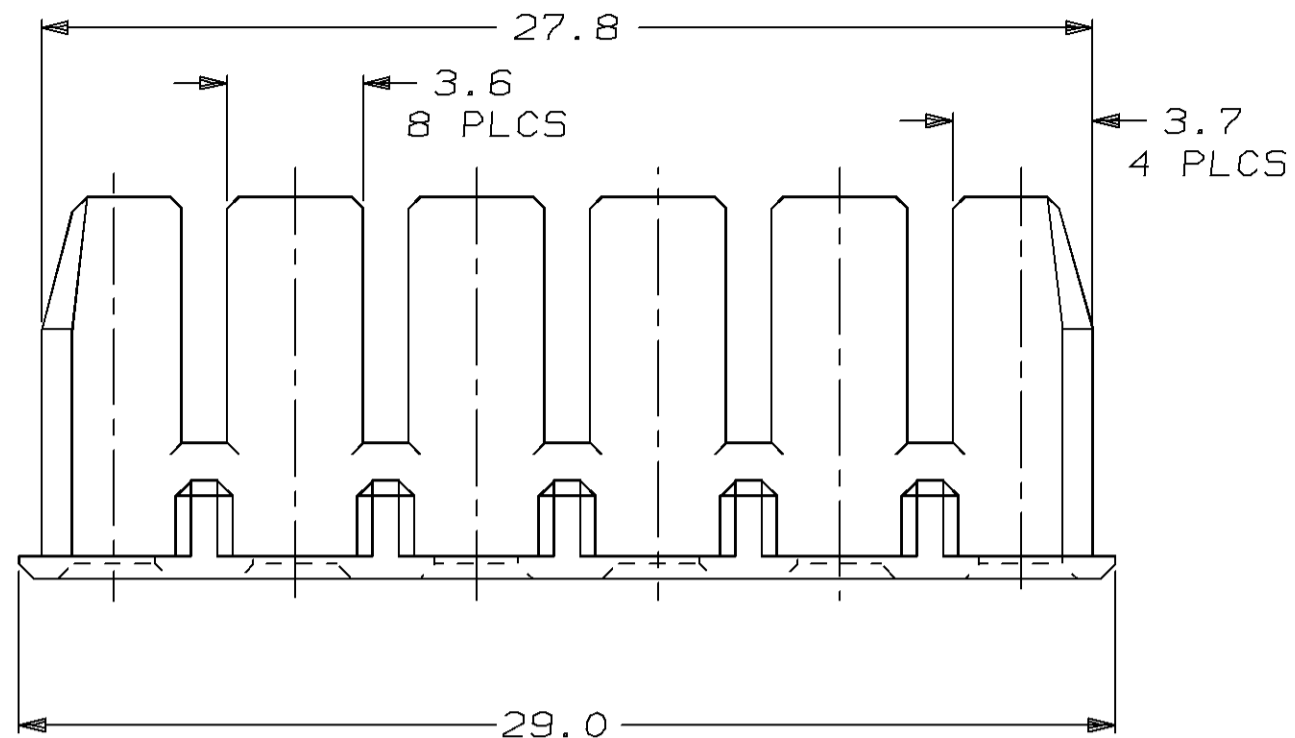


THIS DRAWING IS UNPUBLISHED. RELEASED FOR PUBLICATION
 BY AMP INCORPORATED. ALL RIGHTS RESERVED.

LOC		DST		REVISIONS			
P	LTR	DESCRIPTION		DATE	DWN	APVD	
G	16	0		INITIAL RELEASE	-	-	



184058-1
 PART NO

<small>THIS DRAWING IS A CONTROLLED DOCUMENT FOR AMP INCORPORATED. IT IS SUBJECT TO CHANGE AND THE CONTROLLING ENGINEERING ORGANIZATION SHOULD BE CONTACTED FOR THE LATEST REVISION.</small>		DWN	11/22/94	AMP AMP Incorporated Harrisburg, PA 17105-3608		
<small>TOLERANCES UNLESS OTHERWISE SPECIFIED:</small>		CHK	1/11/95			
<small>DIMENSIONS:</small> mm		APVD	1/11/95	DOUBLE LOCK PLATE, SENSOR, 12 POSITION		
		PRODUCT SPEC				
0 PLC ±- 1 PLC ±0.3 2 PLC ±- 3 PLC ±- 4 PLC ±-		APPLICATION SPEC		SIZE	CAGE CODE	DRAWING NO
ANGLES ±1° FINISH -		WEIGHT	-	A2	00779	©=184058
MATERIAL PBT-GLASS REINF. YELLOW		CUSTOMER DRAWING		SCALE	SHEET	REV
				5:1	1 OF 1	0

184058

单击下面可查看定价，库存，交付和生命周期等信息

[>>TE Connectivity\(泰科\)](#)