

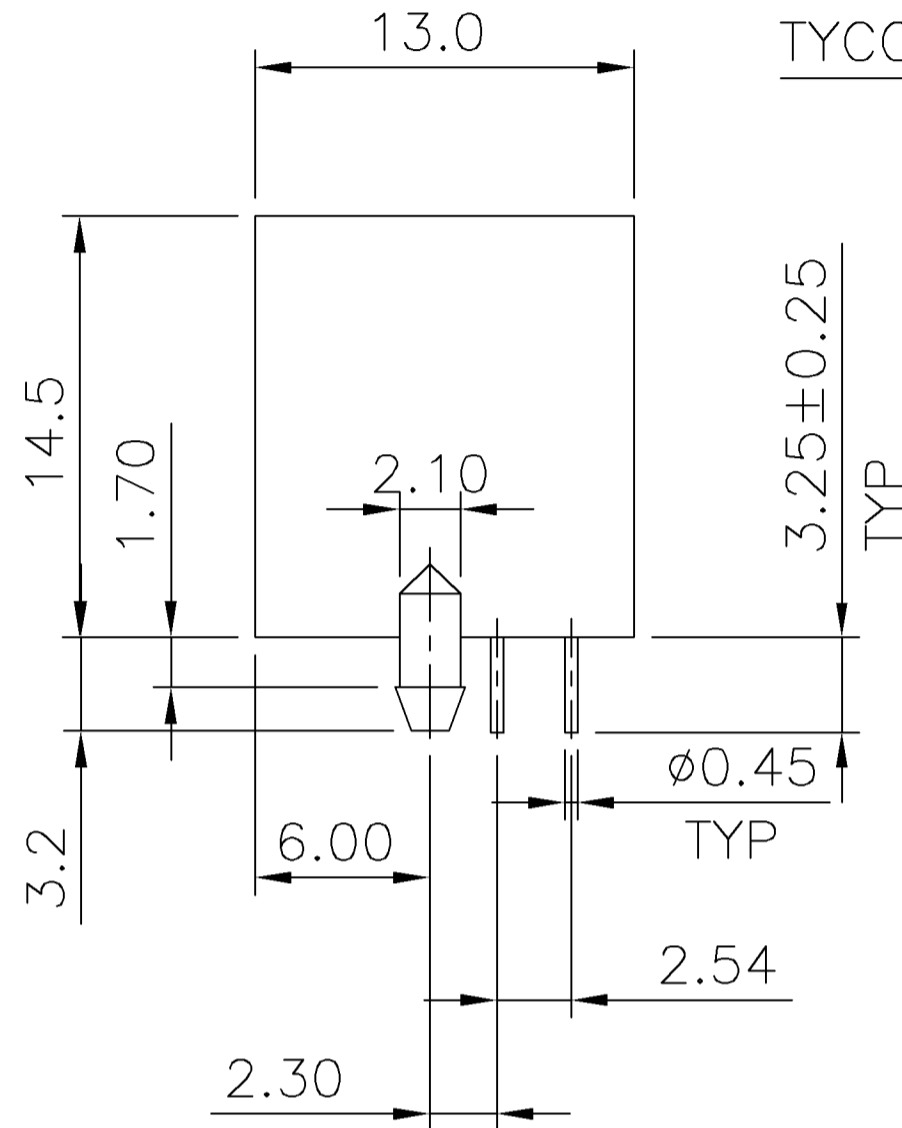
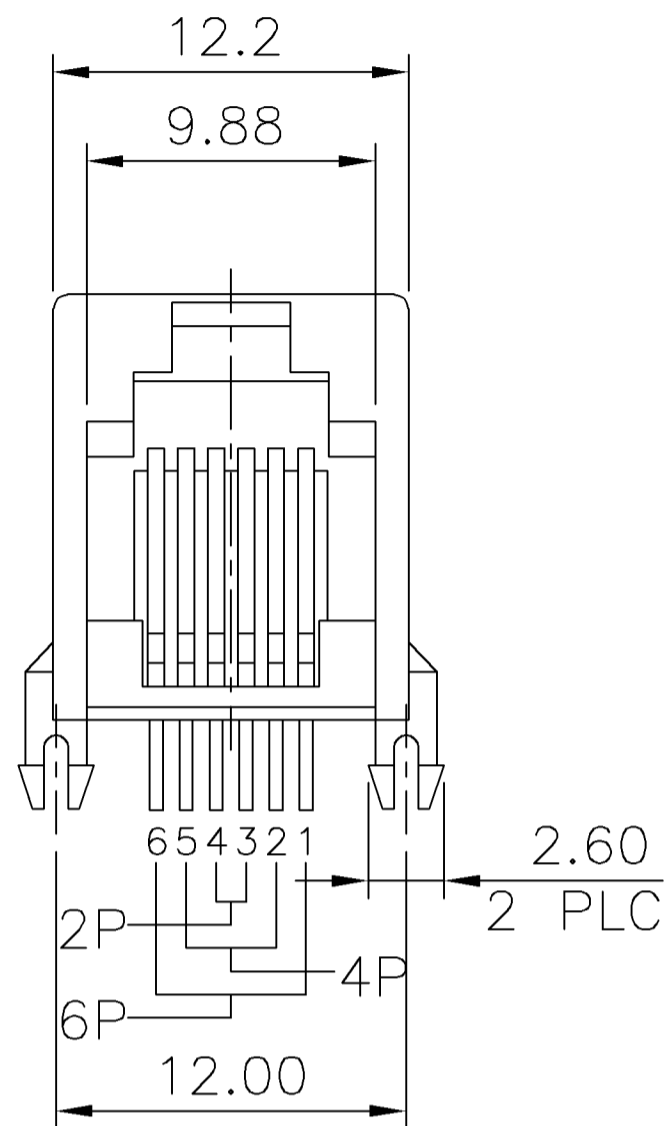
NUMBER
C-1775445



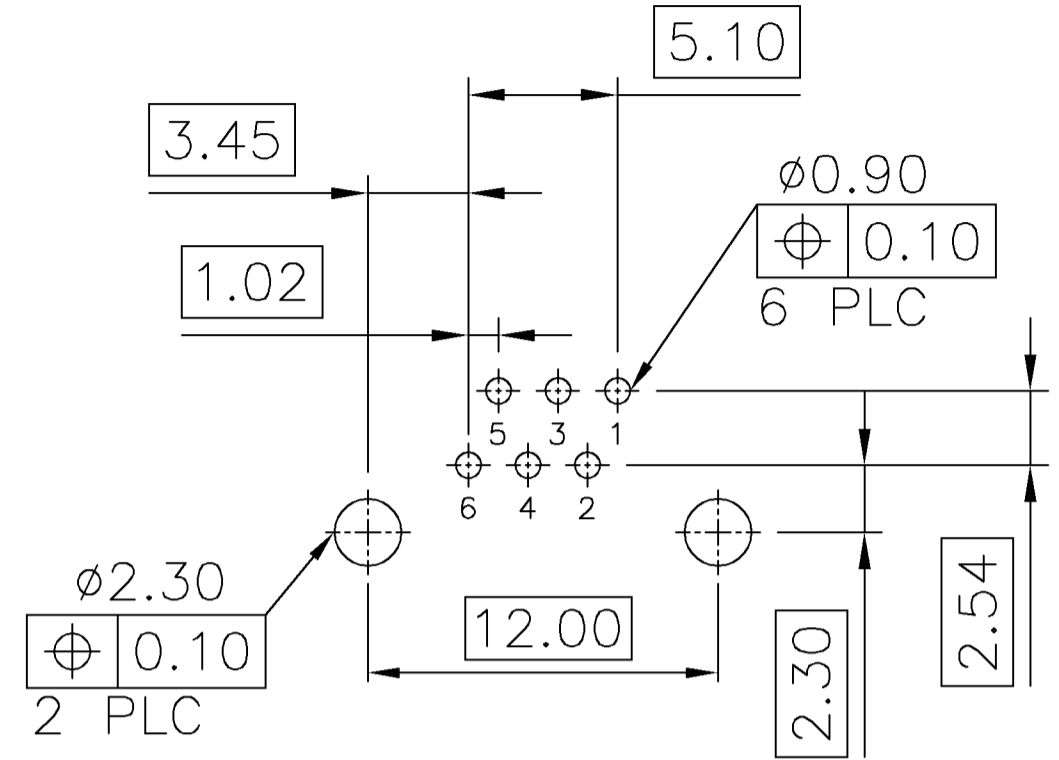
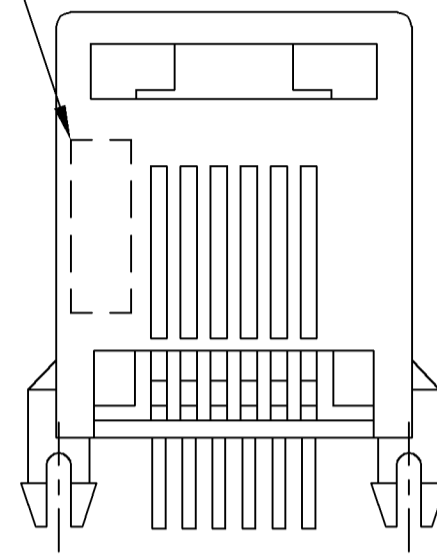
METRIC

THIS INFORMATION IS CONFIDENTIAL AND IS DISCLOSED TO YOU ON CONDITION THAT NO FURTHER DISCLOSURE IS MADE BY YOU TO OTHER THAN AMP PERSONNEL WITHOUT WRITTEN AUTHORIZATION FROM AMP (TAIWAN) LTD. DIMENSIONS IN MILLIMETERS. DO NOT SCALE PRINT.

PRINT
DW



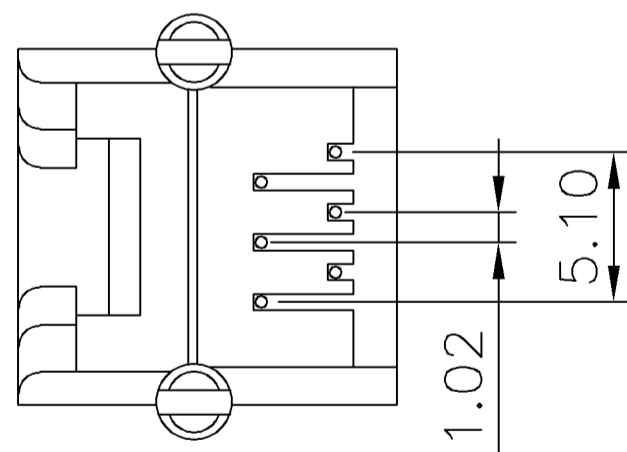
TYCO LOGO



RECOMMENDED PCB LAYOUT (THICKNESS: 1.6mm)
DIMENSION TOLERANCE: 1 PLC: ±0.1 2PLC: ±0.05

NOTE:

- MATERIAL:
HOUSING: THERMOPLASTIC, UL94V-0, COLOR: BLACK.
CONTACT: PHOSPHOR BRONZE, DIAMETER: 0.45mm.
- FINISH:
CONTACT: GOLD PLATED (SEE TABLE) ON SOLDER TAILS,
50u" MIN. NICKEL UNDERPLATED ALL OVER.
- WAVE SOLDER CAPABLE TO 265°C PER TYCO SPEC 109-202,
CONDITION B.



6P6C	50μ"	1775445-4
	30μ"	1775445-3
	15μ"	1775445-2
	6μ"	1775445-1
POS/CONT.	MIN. GOLD THICKNESS	PART NUMBER

TOLERANCES UNLESS OTHERWISE SPECIFIED: 0 PLC ±0.5 1 PLC ±0.3 2 PLC ±0.2 3 PLC ±0.1 ANGLES ±3'	DWN	O. HU 12-SEP-2006	TYCO HOLDINGS (BERMUDA) VII LTD. TAIWAN BRANCH					
	CHK	S. HOU 12-SEP-2006						
MATERIAL	APVD	W.J. KE 12-SEP-2006	MODULAR JACK, RJ11, LOW PROFILE					
SEE NOTE	PRODUCT SPEC	108-57527						
FINISH	QUALIFICATION TEST REPORT	501-57734	LOC DW	SIZE A ₃	DRAWING NO	C-1775445	REV	A
	WEIGHT	1.6 gram	SCALE	--	SHEET	1 OF 2		

A	FIRST RELEASED		OH	10AUG
LTR	REVISION RECORD	ECN	DWN	2006
			CHK	DATE

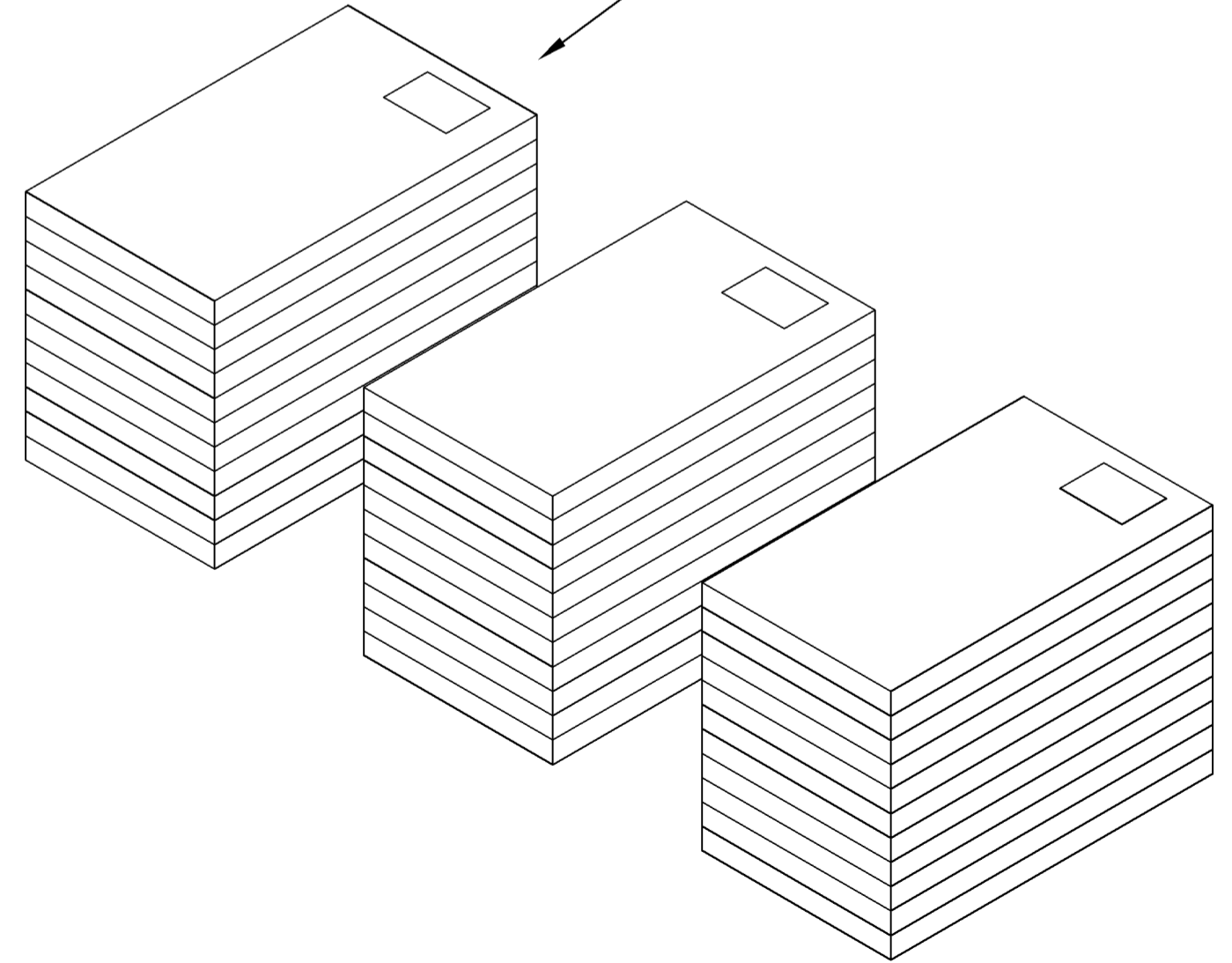
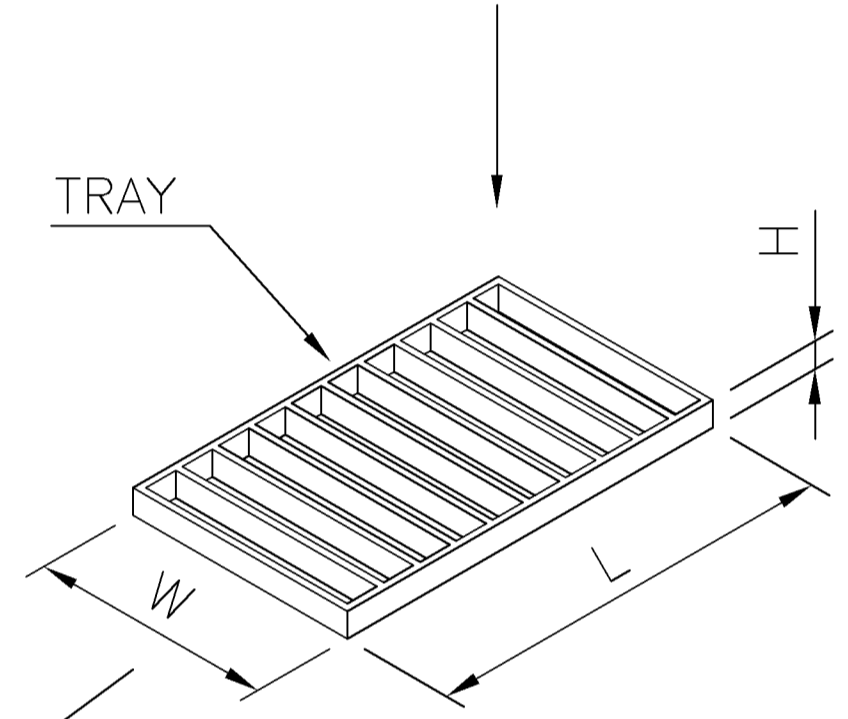
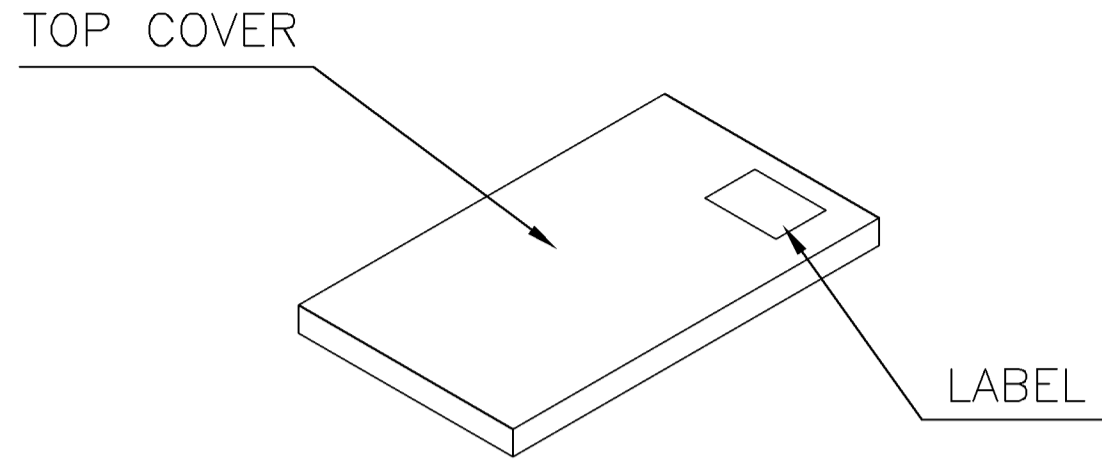
NUMBER
C-1775445



METRIC

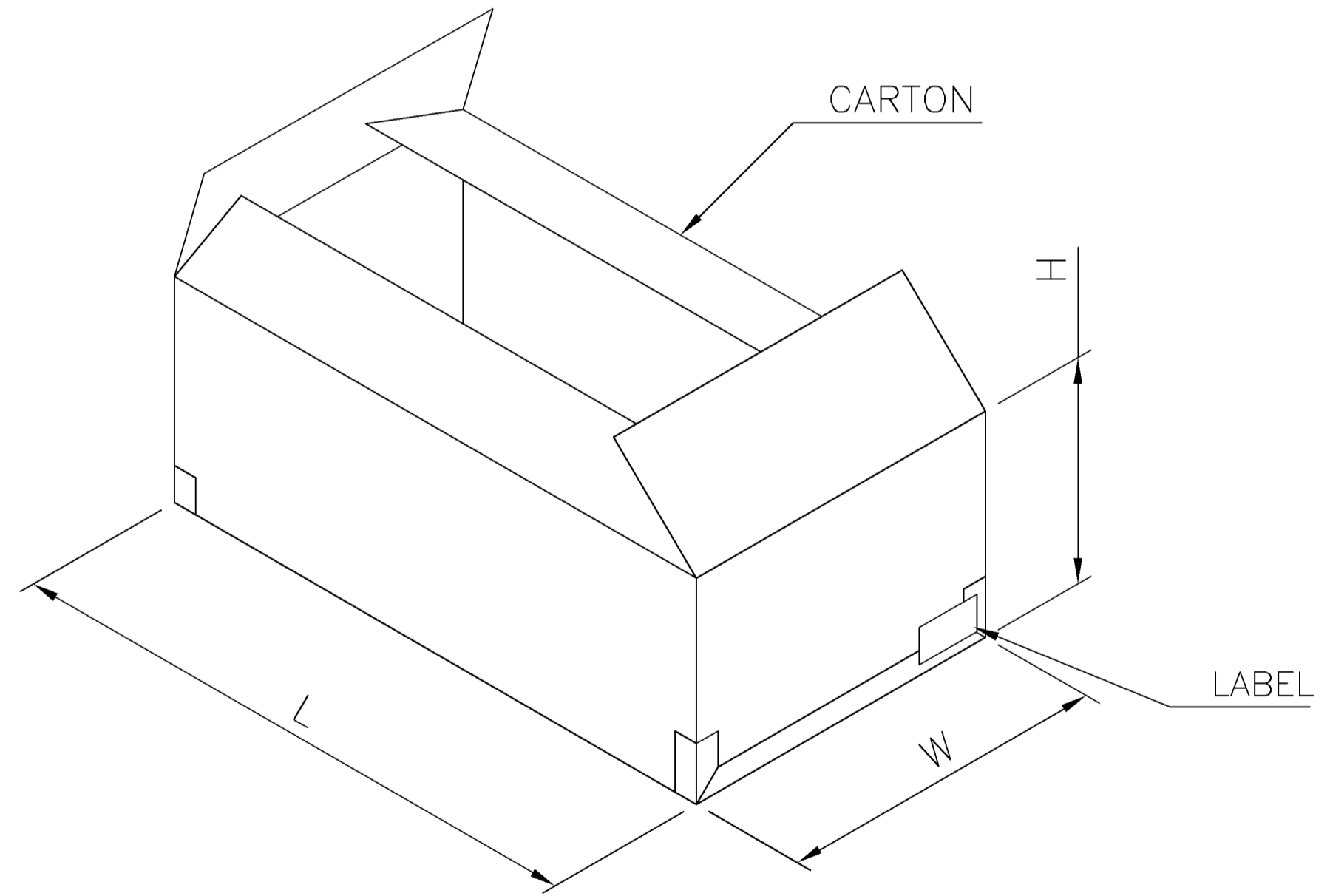
THIS INFORMATION IS CONFIDENTIAL AND IS DISCLOSED TO YOU ON CONDITION THAT NO FURTHER DISCLOSURE IS MADE BY YOU TO OTHER THAN AMP PERSONNEL WITHOUT WRITTEN AUTHORIZATION FROM AMP (TAIWAN) LTD. DIMENSIONS IN MILLIMETERS. DO NOT SCALE PRINT.

PRINT
DIST
DW



NOTES:

1. MATERIAL:
 - 1.1 TRAY:PVC
 - 1.2 SHIPPING CARTON: CORRUGATED FIBERBOARD
2. DIMENSION:
 - 2.1 TRAY: L=290mm, W=170mm, H=16mm.
 - 2.2 SHIPPING CARTON: L=560mm, W=310mm, H=210mm.
3. QUANTITY:
 - 3.1 PRIMARY PACKING: 120 PCS/TRAY
 - 3.2 SECONDARY PACKING: 33 TRAY/CARTON (3,960 PCS)
4. WEIGHT
 - 4.1 NET WEIGHT: 6.5 Kg (Ref.)
 - 4.2 GROSS WEIGHT: 8 Kg (Ref.)



TOLERANCES UNLESS OTHERWISE SPECIFIED:		DWN	O. HU	tyco TYCO HOLDINGS (BERMUDA)	
0 PLC	±0.5		12-SEP-2006	VII LTD. TAIWAN BRANCH	
1 PLC	±0.3	CHK	S. HOU	Electronics	
2 PLC	±0.2		12-SEP-2006	NAME	
3 PLC	±0.1			MODULAR JACK, RJ11,	
ANGLES	±3'			LOW PROFILE	
MATERIAL	SEE NOTE	APVD	W.J. KE		
			12-SEP-2006		
FINISH	SEE NOTE	PRODUCT SPEC	--	LOC	SIZE
		APPLICATION SPEC	--	DW	A ₃
		WEIGHT	--	DRAWING NO	C-1775445
				REV	A
				SCALE	--
				SHEET	2 OF 2

SEE SHEET 1.	ECN	DWN	CHK	DATE
LTR	REVISION RECORD			

单击下面可查看定价，库存，交付和生命周期等信息

[>>TE Connectivity\(泰科\)](#)