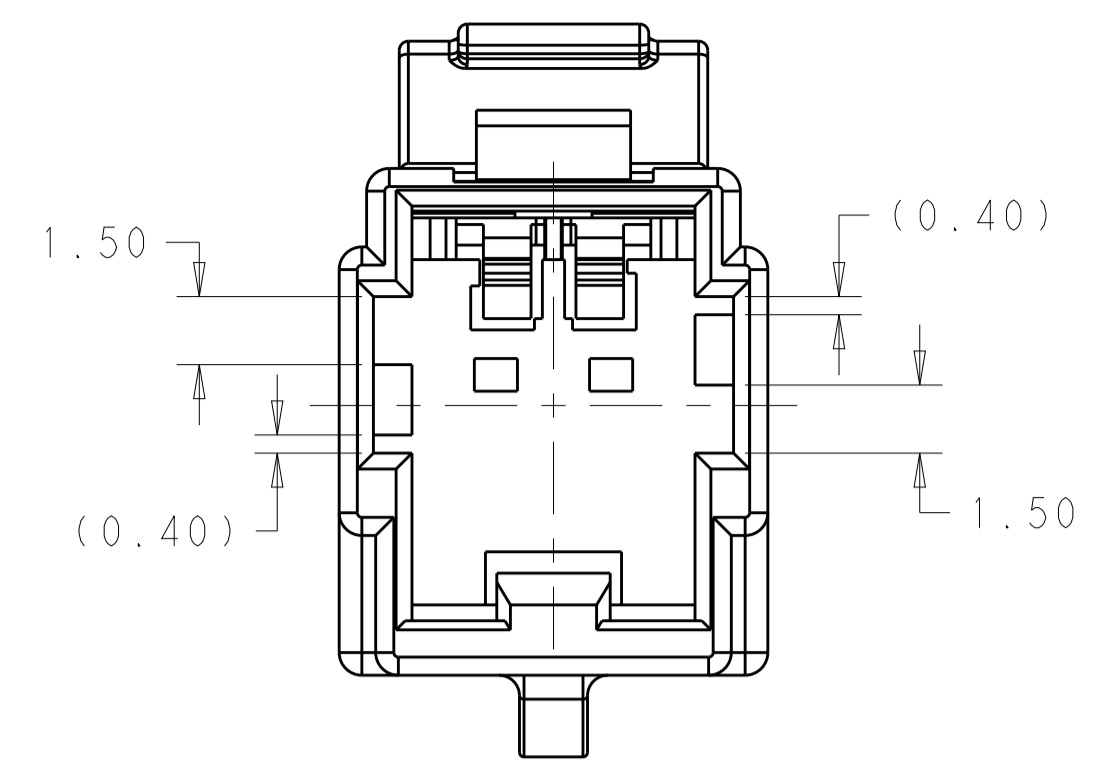
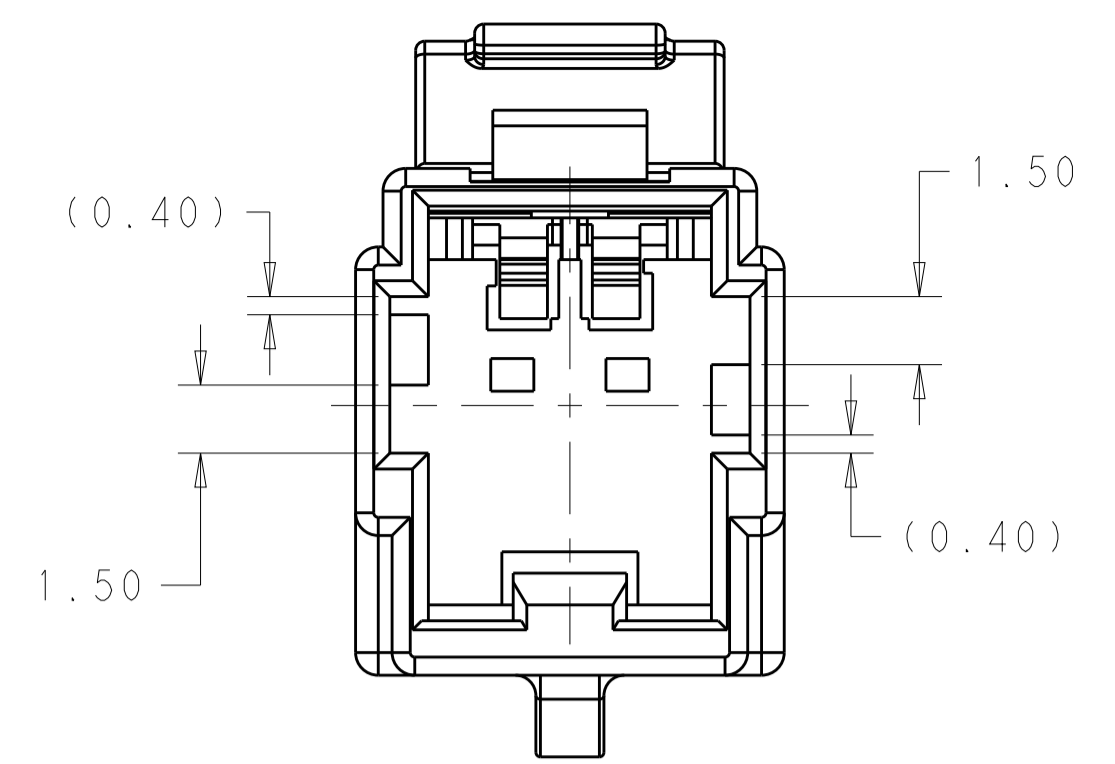


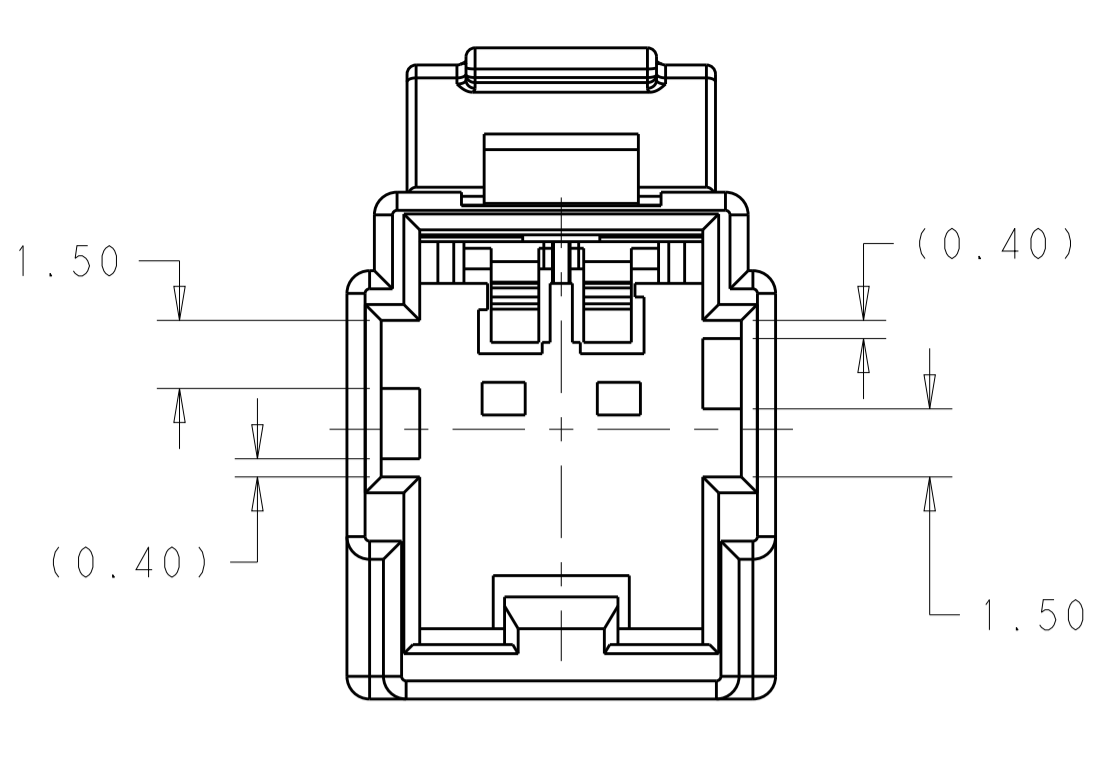
LOC	DIST	REVISIONS					
GE	00	P	LTN	DESCRIPTION	DATE	DWN	APVD
		A		RELEASED PER ECO-13-001134	21JAN2013	MDB	MDB



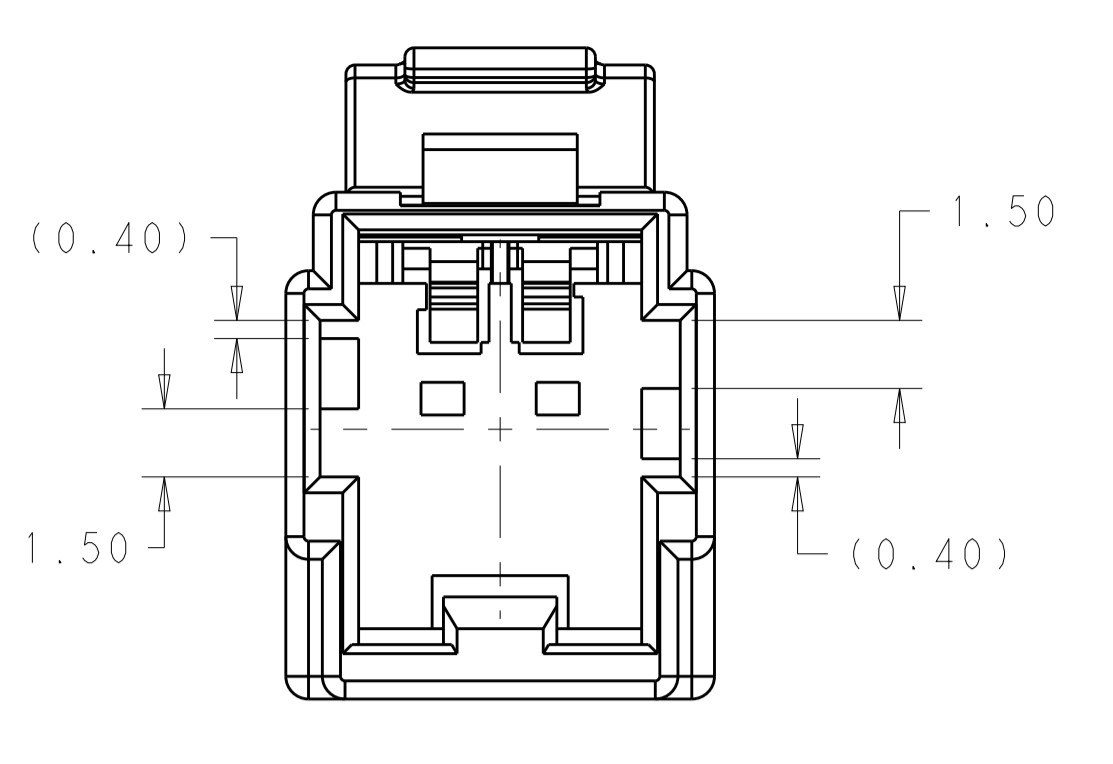
KEYING OPTION A
 WITH RETAINER CLIP LOCK
 2138558-1



KEYING OPTION B
 WITH RETAINER CLIP LOCK
 2138558-2

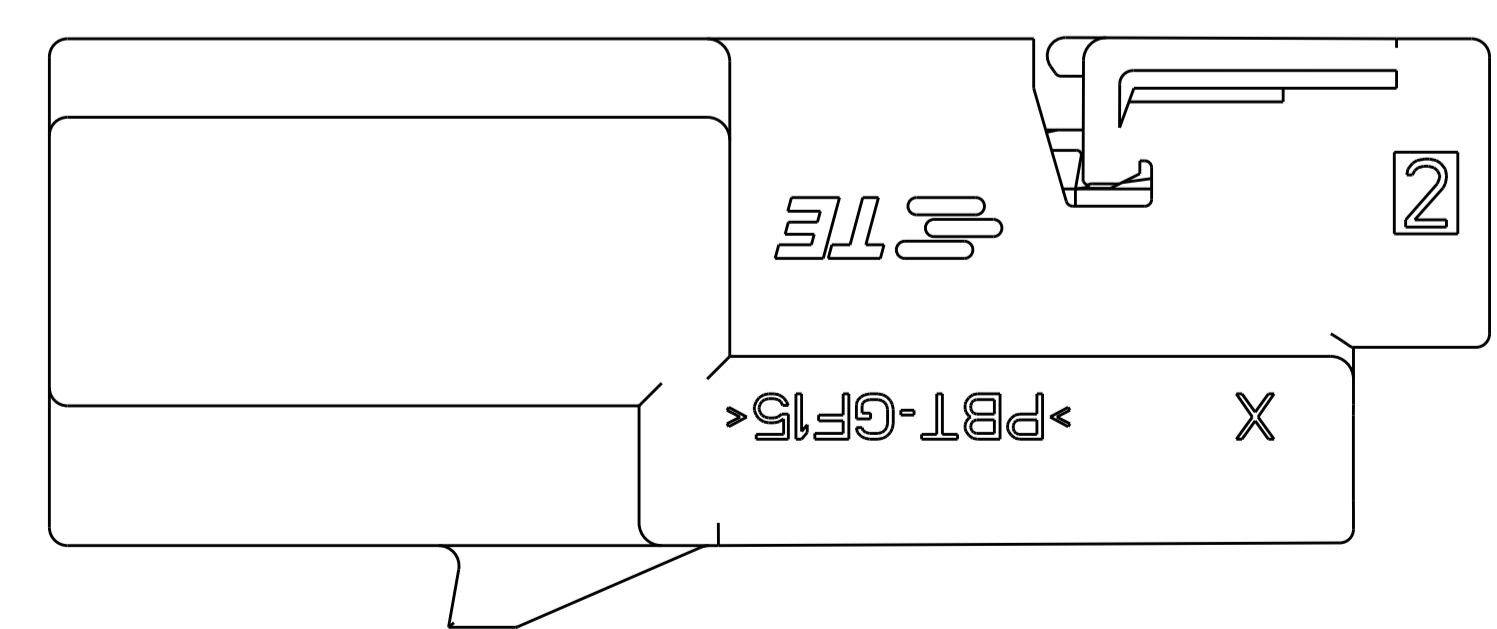
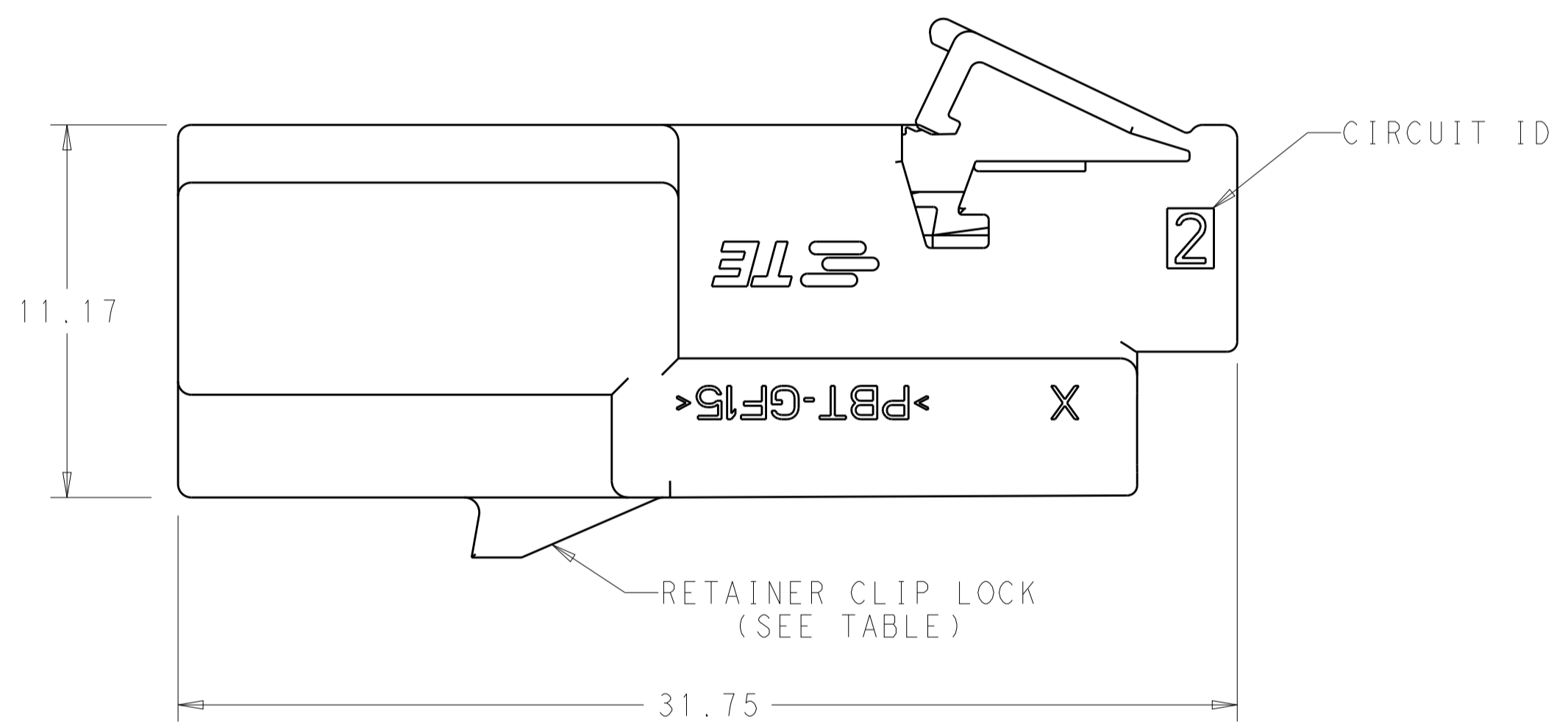
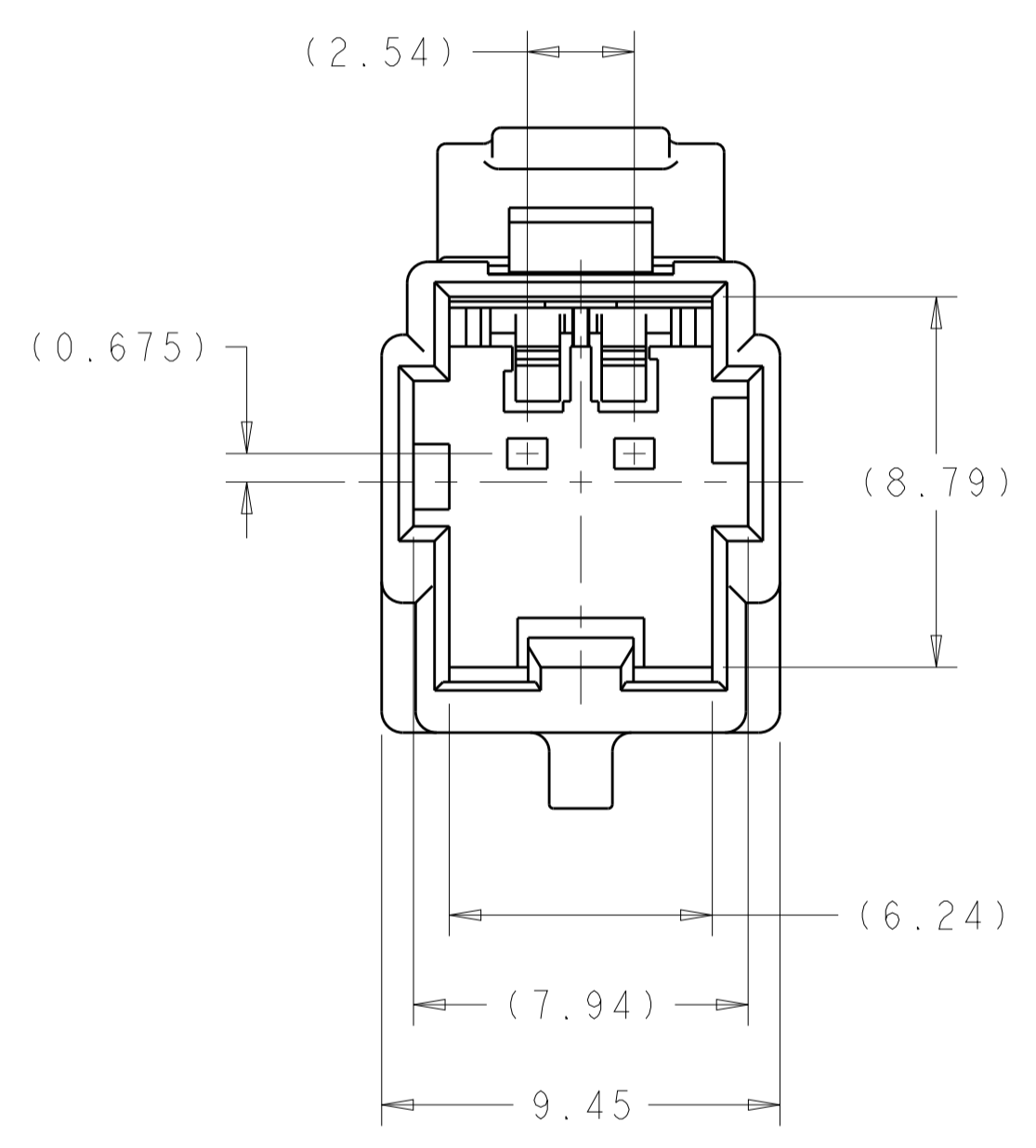


KEYING OPTION A
 WITHOUT RETAINER CLIP LOCK
 2138558-3

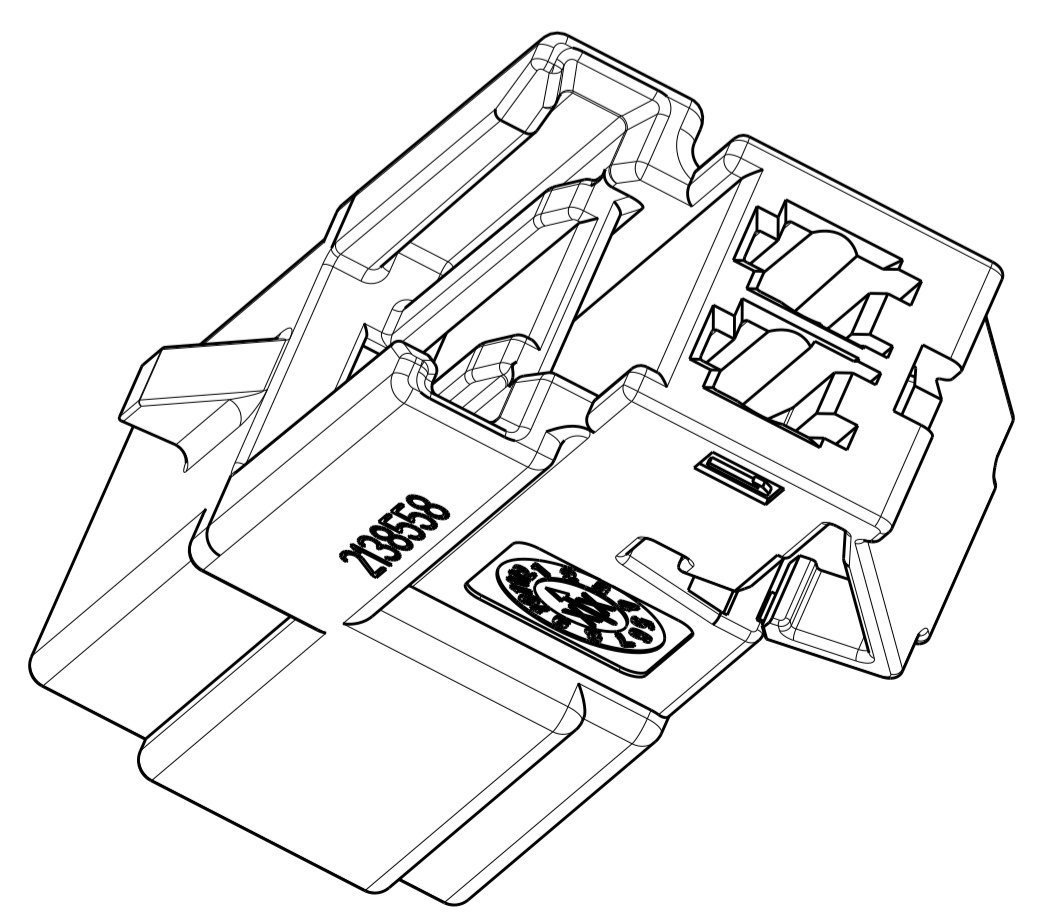


KEYING OPTION B
 WITHOUT RETAINER CLIP LOCK
 2138558-4

- △ MATERIAL: PBT, 15% GF.
 COLOR : SEE TABLE
- CAP MATES WITH PLUG HOUSING 2138557
 - CAP WILL ACCEPT GENERATION Y BLADE CONTACTS.
 - NOTE REMOVED.
 - PRODUCT INCORPORATES CLIP SLOT AND RETAINER CLIP LOCK (2138558-1 AND -2) AS DEFINED BY EWCAP-005-7, REVISION A.
 - FOR HARNESS ASSEMBLY INSTRUCTIONS, SEE TE SPEC 408-32069.



2138558-1 ASSEMBLED VIEW



COLOR	RETAINER CLIP LOCK	KEYING OPTION	PART NUMBER
GRAY	NO	B	2138558-4
BLACK	NO	A	2138558-3
GRAY	YES	B	2138558-2
BLACK	YES	A	2138558-1

2138558-1 AS SHOWN

THIS DRAWING IS A CONTROLLED DOCUMENT.		DWN R. WHITAKER 27MAY2011	NAME CAP HOUSING, 2 POSITION, GENERATION Y
DIMENSIONS: mm		CHK D. BROWN 27MAY2011	
TOLERANCES UNLESS OTHERWISE SPECIFIED:		APVD D. BROWN 27MAY2011	RESTRICTED TO
0 PLC	±	PRODUCT SPEC	
1 PLC	±0.3	APPLICATION SPEC	
2 PLC	±0.10		
3 PLC	±		
4 PLC	±		
ANGLES	±1°	WEIGHT	
MATERIAL		Customer Drawing	SCALE 6:1 SHEET 1 OF 1 REV A

单击下面可查看定价，库存，交付和生命周期等信息

[>>TE Connectivity\(泰科\)](#)