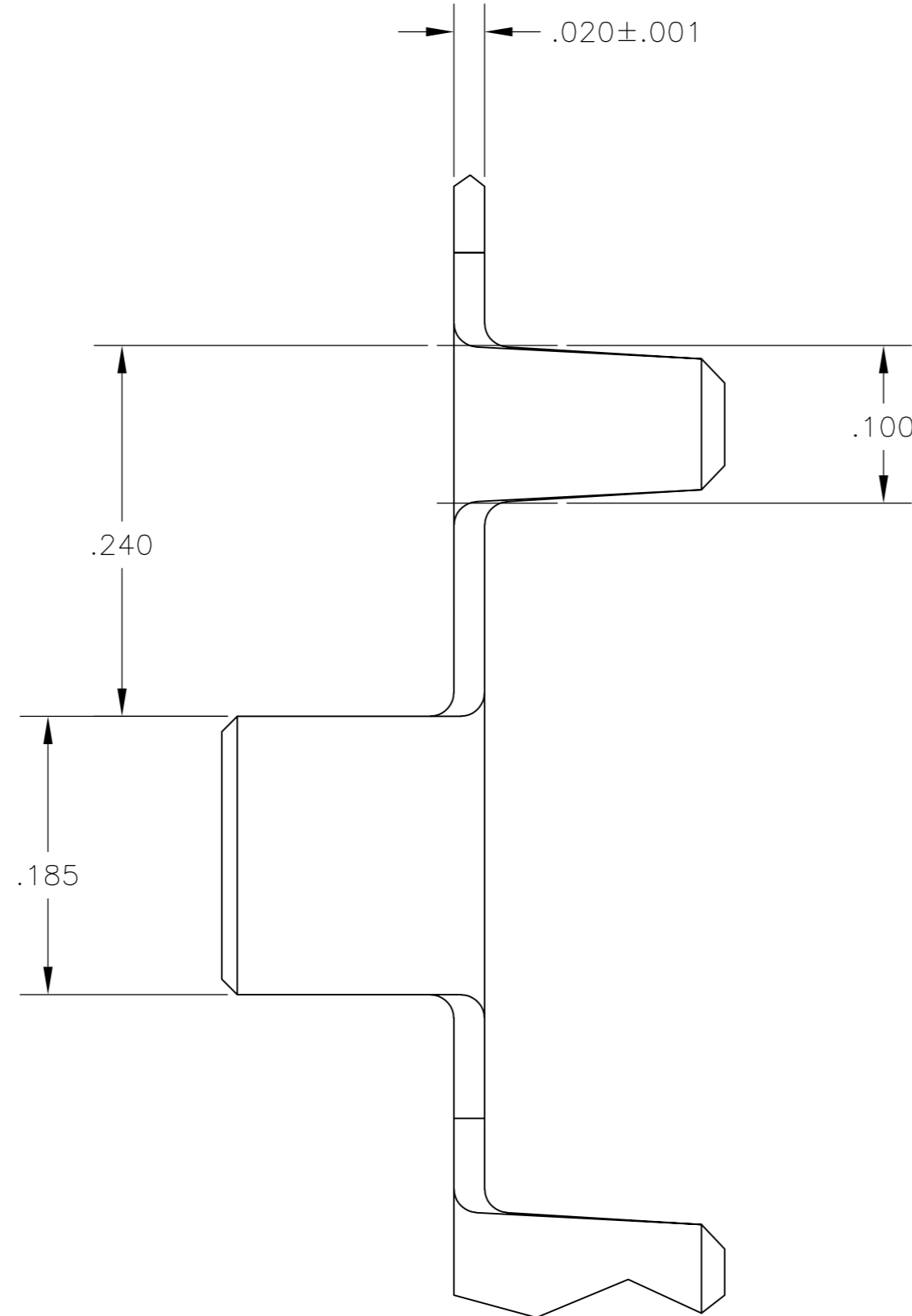
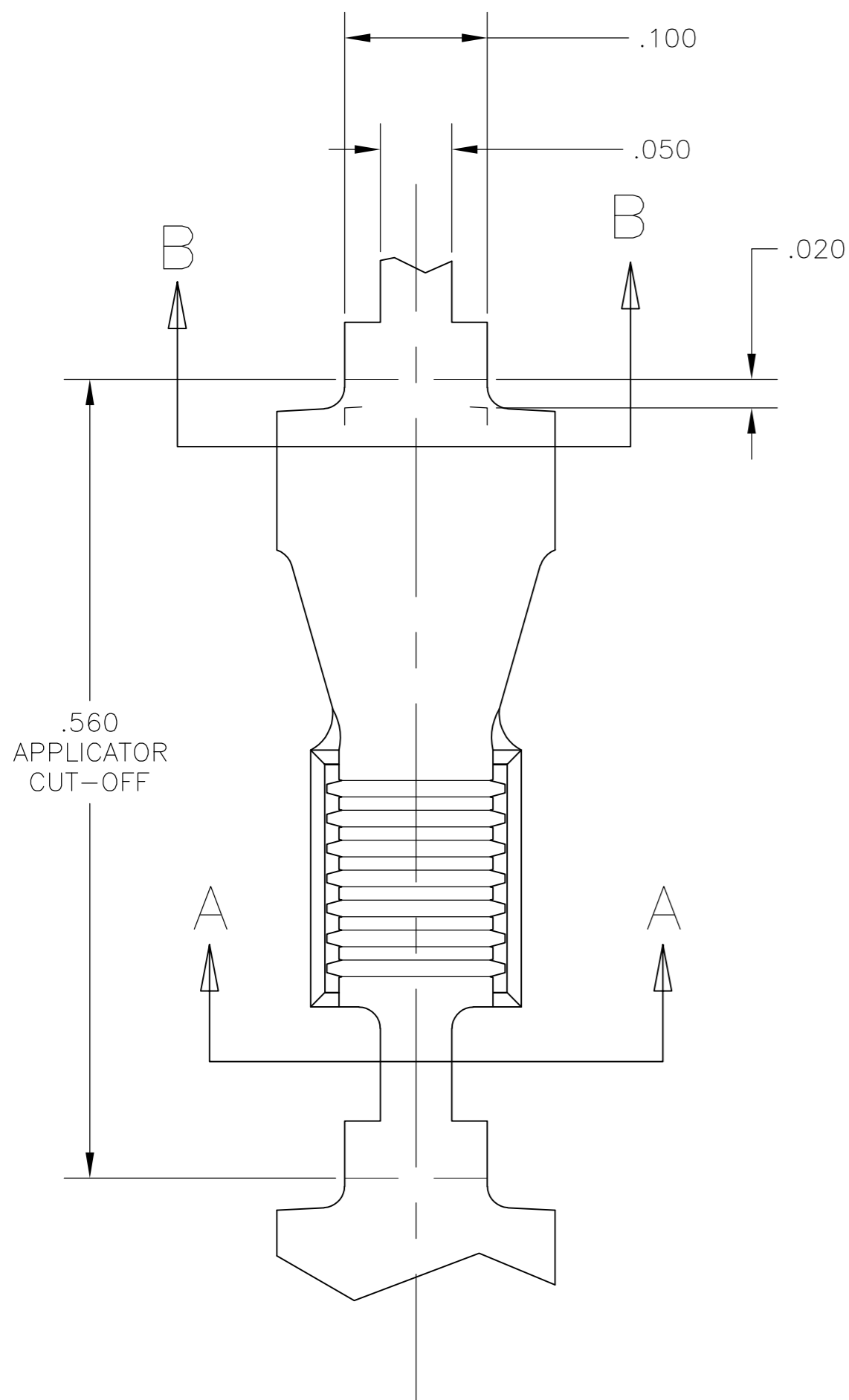
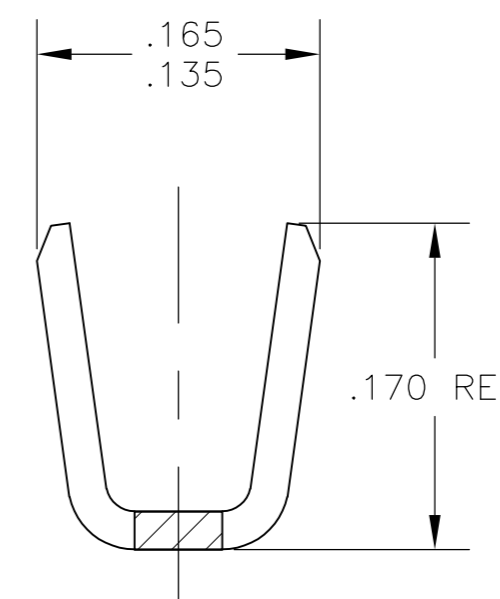


THIS DRAWING IS UNPUBLISHED. RELEASED FOR PUBLICATION
 © COPYRIGHT - By - ALL RIGHTS RESERVED.

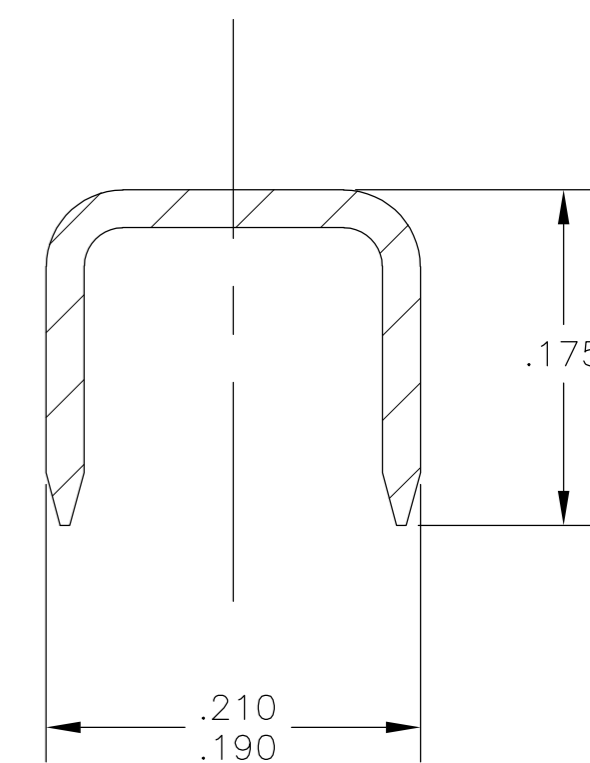
LOC		DIST		REVISIONS			
P	LTR	DESCRIPTION		DATE	DWN	APVD	
AF	14	B		REVISE PER ECR -13-003819	06JAN13	GRZ	DZ



- 1 PRODUCT PROVIDED IN STRIP FORM ON REELS; BREAKS MAY BE PRESENT.
- 2 WIRE RANGE: 3000-6000 CMA.
- 3 BOARD THICKNESS: .062
- 4 BOARD HOLE SIZE: .110±.005 X .215±.005.
- 5 PRELIMINARY - NOT FOR PRODUCTION.



SECTION A-A



SECTION B-B

REVERSE	1742324-2
STANDARD	5 1742324-1
REELING	PART NUMBER

THIS DRAWING IS A CONTROLLED DOCUMENT.		DWN	M.S. FEHER	25JUL2005		TE Connectivity		
DIMENSIONS: INCHES		CHK	G.D. PORTA	27JUL2005		NAME		
TOLERANCES UNLESS OTHERWISE SPECIFIED:		APVD	G.D. PORTA	27JUL2005		SPLICE, AMPLIVAR STAKING, SEVEN (7) SERRATIONS		
0 PLC ± - 1 PLC ± - 2 PLC ± - 3 PLC ± .010 4 PLC ± - ANGLES ± 1°		PRODUCT SPEC	-			-		
MATERIAL	BRASS	FINISH	TIN PLATE	WEIGHT	-	SIZE	A2	
CUSTOMER DRAWING		SCALE		8:1	SHEET	1 of 1	REV	B

1742324

单击下面可查看定价，库存，交付和生命周期等信息

[>>TE Connectivity\(泰科\)](#)