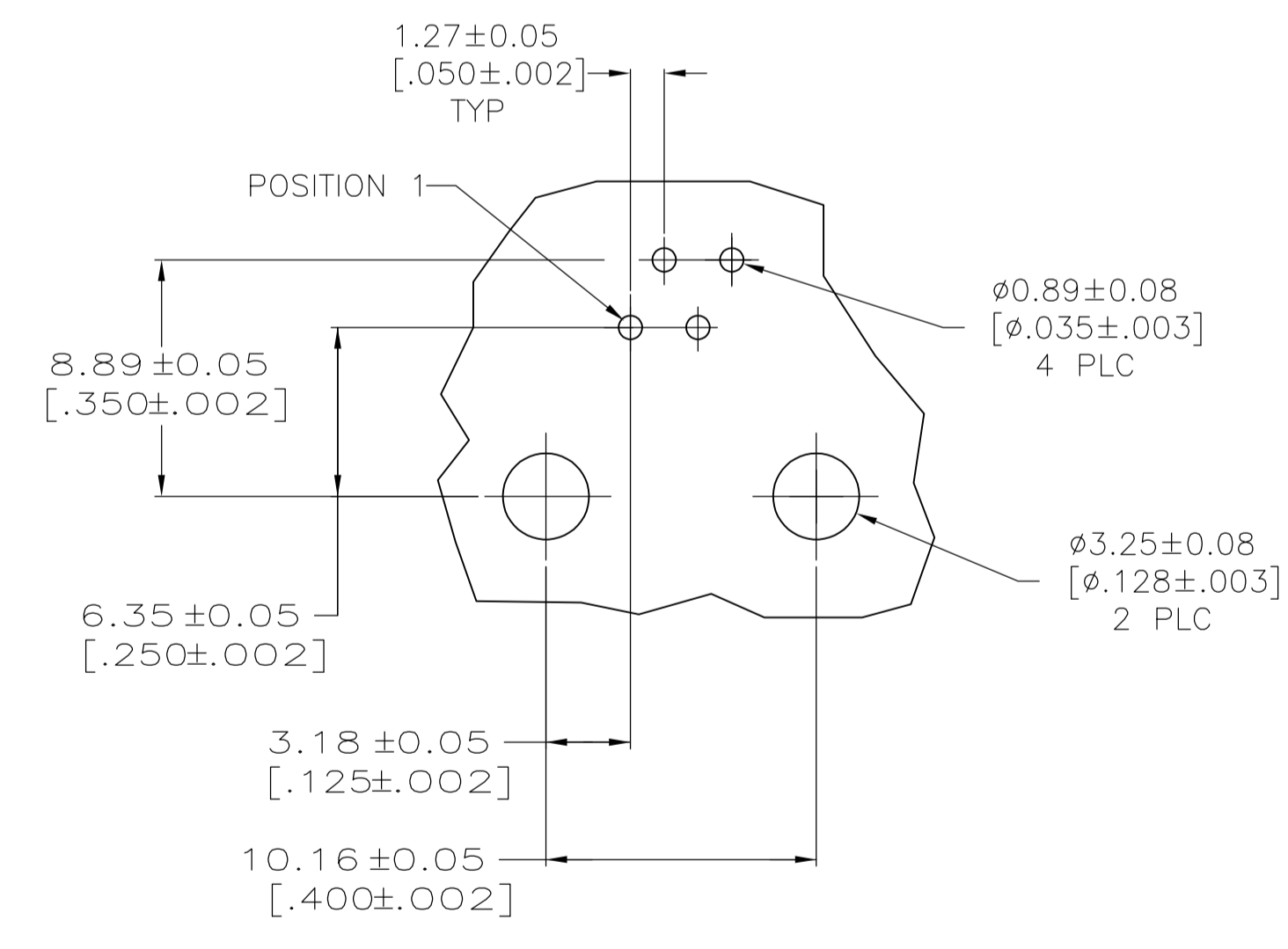
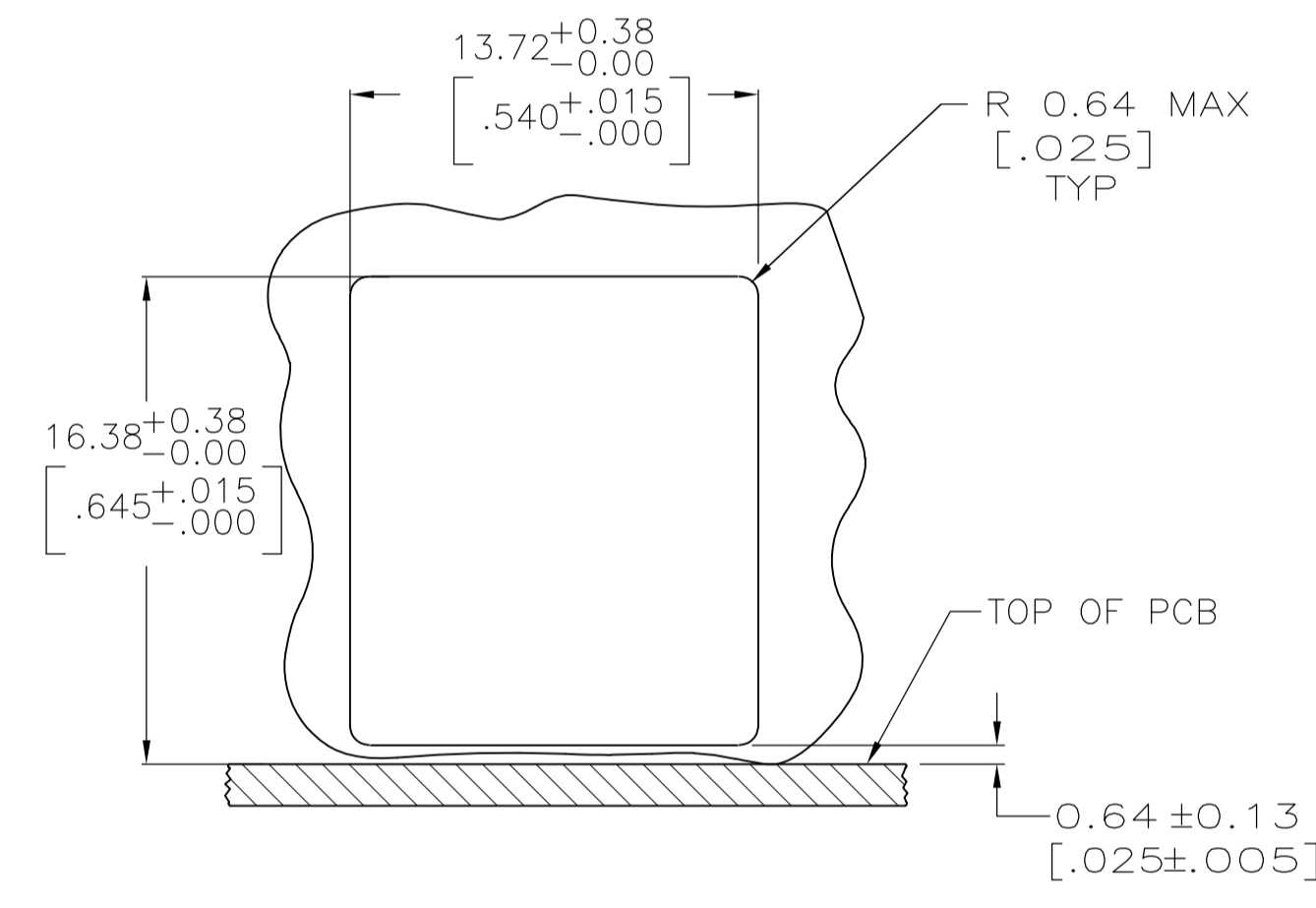
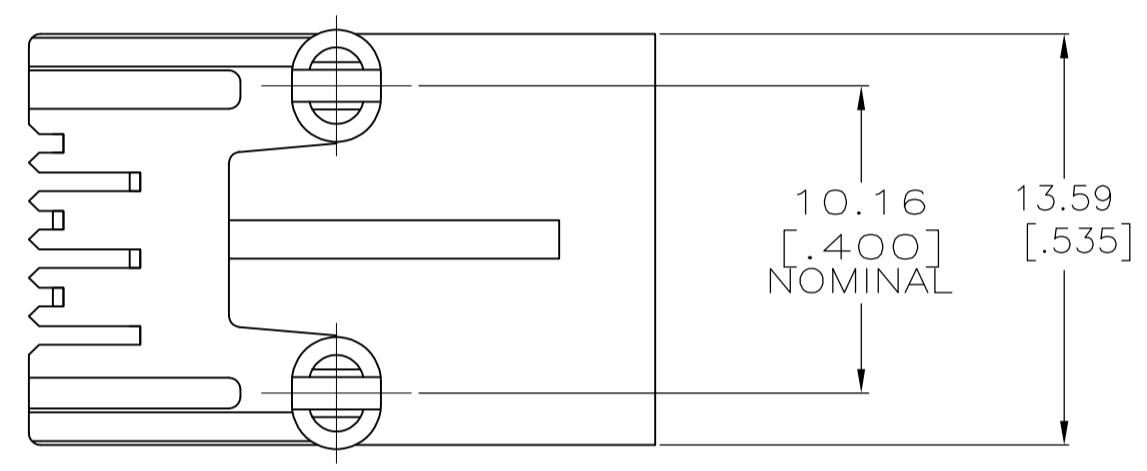


- MATERIAL: HOUSING - PBT POLYESTER, COLOR: BLACK
TERMINALS - 0.36[.014] THICK PHOS-BRONZE PLATED WITH 1.27 μ m[.000050] MINIMUM THICK HARD GOLD IN LOCALIZED GOLD PLATE AREA AND 3.81 μ m[.000150] MINIMUM THICK MATTE TIN IN SOLDER AREA OVER 1.27 μ m[.000050] MINIMUM THICK NICKEL UNDERPLATE.
 - ALL DIMENSIONS SHOWN ARE MAXIMUM UNLESS OTHERWISE SPECIFIED.
 - TERMINALS LOCATED IN CENTER POSITIONS.
- ⚠ CAVITY CONFORMS TO FCC RULES AND REGULATIONS PART 68 AND REA BULLETIN 345-81 PE-76 SPECIFICATION FOR MODULAR TELEPHONE HARDWARE.
- ⚠ BULK PACKAGED IN A TRAY.



PRINTED CIRCUIT BOARD LAYOUT
COMPONENT SIDE SHOWN

⚠ PACKAGED	5555979-1 PART NUMBER
------------	--------------------------

THIS DRAWING IS A CONTROLLED DOCUMENT.		DIN G. ATTADIA - 08/JUN/2005	TE Connectivity	
DIMENSIONS: mm [INCHES]		CHK J. WESTMAN - 08/JUN/2005	NAME MODULAR JACK ASSEMBLY, SIDE ENTRY, 6 POSITION/4 CONTACTS, FLANGELESS WITHOUT PANEL STOPS	
TOLERANCES UNLESS OTHERWISE SPECIFIED:		APVD S. FLICKINGER - 08/JUN/2005	PRODUCT SPEC 108-1163	
0 PLC ± -		APPLICATION SPEC 114-2048		
1 PLC ± -		SIZE A1		
2 PLC ± 0.13[.005]		CAGE CODE 00779		
3 PLC ± -		DRAWING NO 5555979		
4 PLC ± -		RESTRICTED TO CUSTOMER DRAWING		
ANGLES ± -		SCALE 4:1		
MATERIAL SEE NOTE 1		WEIGHT -		SHEET 1 OF 1
FINISH SEE NOTE 1		REV B1		

单击下面可查看定价，库存，交付和生命周期等信息

[>>TE Connectivity\(泰科\)](#)