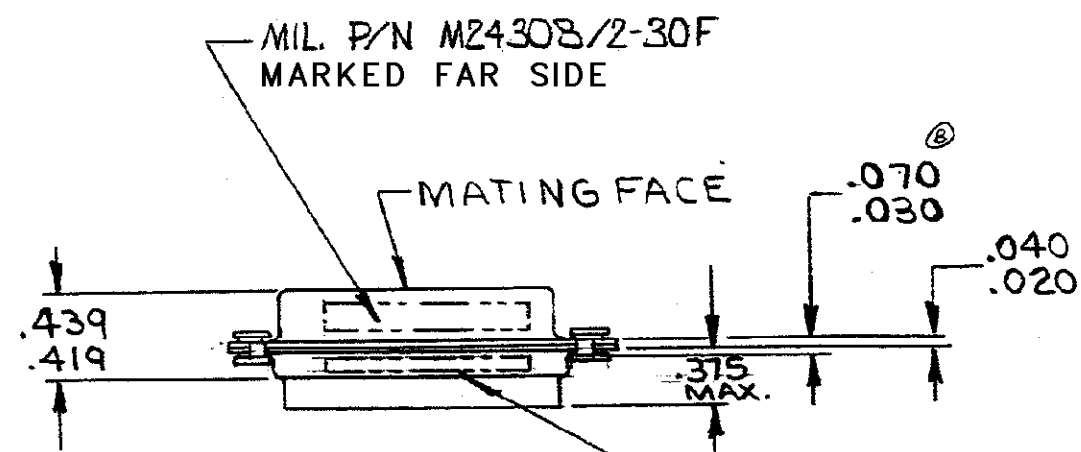
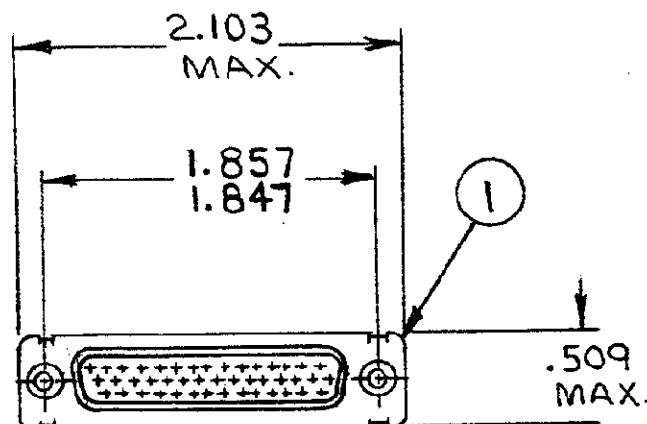


DRAWING MADE IN AMERICAN PROJECTION

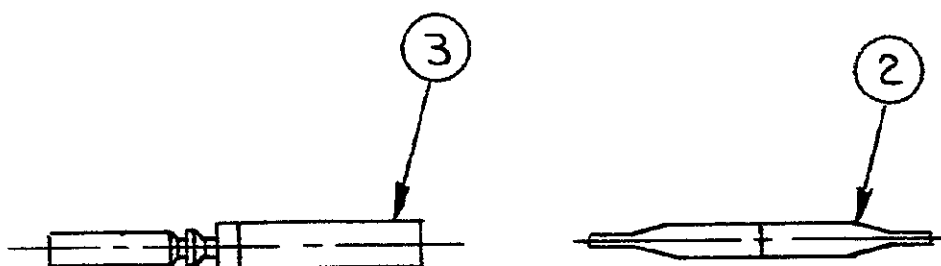
AMP INCORPORATED. ALL RIGHTS RESERVED. AMP PRODUCTS ARE COVERED BY PATENTS AND/OR PATENTS PENDING.

⚠ APPROPRIATE AMP P/N (KIT) IS MARKED ON PACKAGE

REVISIONS				
ZONE	LTR	DESCRIPTION	DATE	APPROVED
	A	REV. & REDRAWN RELEASED WAS 5066-171 PER ECN A-962	12-29-70	LM/AS
		NOTES ADDED ECN B-011	2/4/71	10/93
	B	REV. PER ECN B-948	5/11/73	LM
	B1	REV. PER ECN E-342	5/19/74	LM
	C	REV. PER ECN G-047	2/8/77	AS
	D	REV PER ECN DF-0021 & DF-0160 & R2670	1-13-88	EAM
	E	ECO-08-023688	11-08	PY BW



MFG'S NAME, BRAND OR LOGO
MFG'S PART NO AND DATE CODE
MARKED FAR SIDE



SUPSD BY 204540-2 & 91067-1

<input checked="" type="checkbox"/>	-	-	MILITARY P/N M24308/2-4IF	MARKED ON PACKAGE	
<input checked="" type="checkbox"/>	-	-	MILITARY P/N M24308/2-30F	MARKED ON PACKAGE	
48	48	-	B	204351-1	CONTACT, SOCKET, SIZE 22D 3
1	-	1	B	91067-1	INSERTION & EXTRACTION TOOL 2
1	1	1	A	204528-1	RECEPTACLE ASS'Y., SIZE #3 1
3	2	-	DWG SIZE	NUMBER	NAME

204540	204540	204540	UNLESS OTHERWISE SPECIFIED DIMENSIONS ARE IN INCHES TOLERANCES ON: DECIMALS ± #/100 ANGLES ± #/10	CONTRACT NO.	AMP INCORPORATED HARRISBURG, PENNSYLVANIA
			MATERIAL	DR. L. Morningstar 12-29-70	
			CHK. R. Baughman 1-19-71	NAME KIT, "HDD" SERIES RECEPTACLE SIZE #3	
			APPD. B. Bass 1-19-71	SIZE	CODE IDENT NO.
			REL. R. W. H. 1-19-71	B	00779
			DSGN APPD.	NUMBER	204540
			OTHER APPD.	REV	E
			SCALE	SHEET 1 OF 1	

CUSTOMER DRAWING

单击下面可查看定价，库存，交付和生命周期等信息

[>>TE Connectivity\(泰科\)](#)