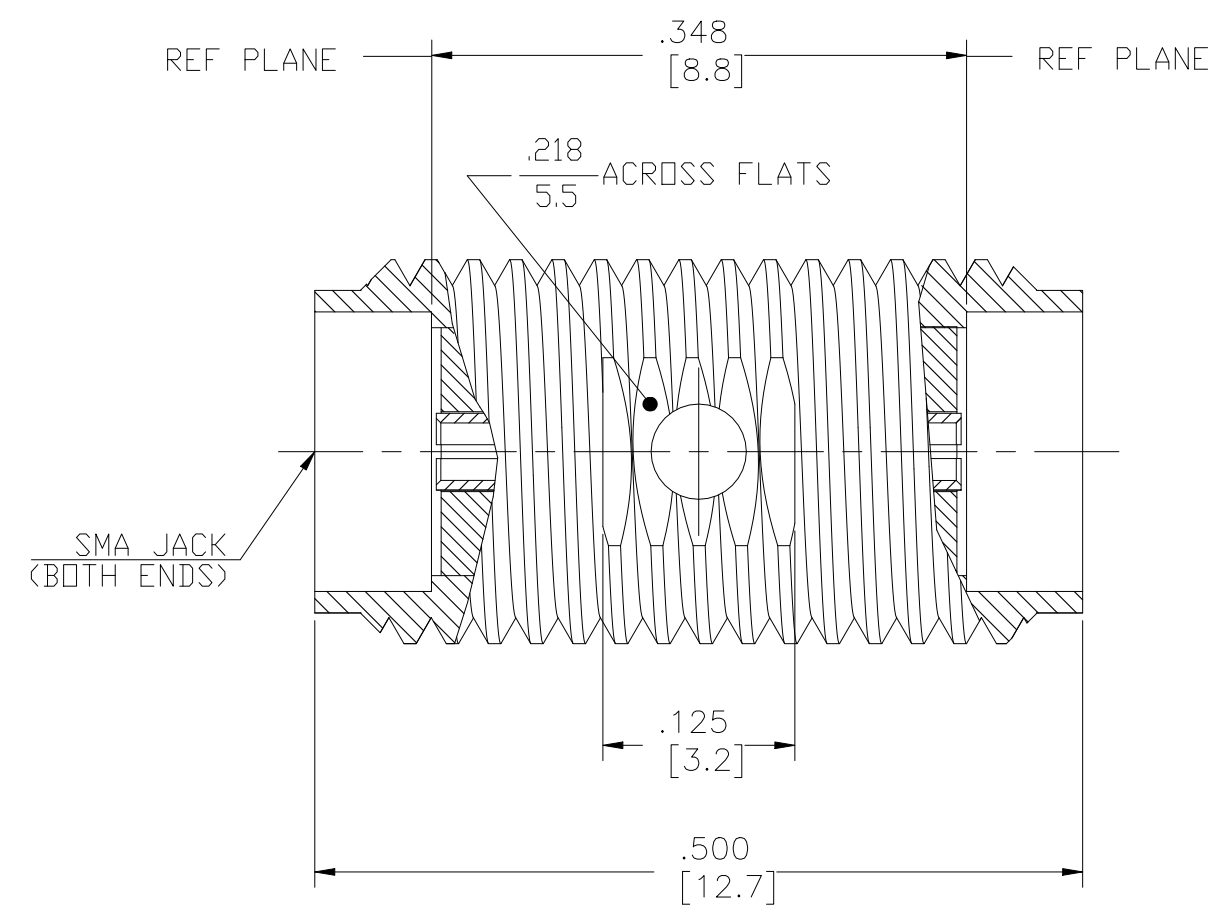


© - TE Connectivity. All Rights Reserved.

REVISIONS				
P	LTR	DESCRIPTION	DATE	APVD
	B1	REVISED PER ECR-21-103794	03JUN2021	RS WK



- ① BRASS
- ② STAINLESS STEEL
- ③ BERYLLIUM COPPER
- ④ PTFE
- ⑤ GOLD PLATE
- ⑥ PASSIVATED
- ⑦ SILICONE RUBBER
- ⑧ NICKEL PLATE

ELECTRICAL	MECHANICAL	ENVIRONMENTAL
Nominal Impedance (Ohms) <u>50</u>	Interface Dimensions MIL-STD-348A, Fig. 310.2	TEMPERATURE RATING <u>-65°C TO 165°C</u>
Frequency Range (GHz) DC to 18 _____	Recommended Mating Torque <u>7 - 10 in-lbs</u>	Vibration MIL-STD-202, Method 204, Condition D
Volt Rating (VRMS MAX) @ Sea Level <u>335</u>	Mating Characteristics: Insertion (MAX Lbs) <u>3.0</u>	Shock MIL-STD-202, Method 213, Condition I
VSWR <u>1.05 + .005 f(GHz)</u>	Withdrawal (MIN Oz) <u>1.0</u>	Thermal Shock MIL-STD-202, Method 107, Condition C,
Insertion Loss (dB MAX) <u>.06 √f(GHz)</u>	Force to Engage and Disengage (In/Lbs MAX) <u>2.0</u>	Moisture Resistance MIL-STD-202, Method 106, Except Vibration
RF Leakage (dB MIN) <u>-[60-f(GHz)]</u>	Center Contact Captivation: Axial (Lbs) <u>6.0</u>	Shall Be Omitted
Dielectric Withstanding Voltage (VRMS MIN) @ Sea Level <u>1500</u>	Cable Retention: Axial Force (Lbs) <u>N/A</u>	Corrosion - MIL-STD-202, Method 101, Condition B, 5% salt spray
Contact Resistance (Milliohms MAX): Center Contact <u>4.0</u> , Outer Contact <u>2.0</u>	Torque (In/Oz) <u>N/A</u>	
Cable to Housing <u>N/A</u>	Weight (Grams) <u>2.0</u>	
RF High Potential @ Sea Level (VRMS MIN @ 5 MHz) <u>670</u>		
I.R.(Megohms MIN) <u>5,000</u>		

THIS DRAWING IS A CONTROLLED DOCUMENT.

DIMENSIONS: INCHES	TOLERANCES UNLESS OTHERWISE SPECIFIED:
	0 PLC ± -
	1 PLC ± -
	2 PLC ± -
	3 PLC ± .005
	4 PLC ± -
	ANGLES ± 1°
MATERIAL	FINISH
-	-

DWN	BWC	12/27/67
CHK	-	12/21/67
APVD	D.NANIA	12/21/67
PRODUCT SPEC	-	-
APPLICATION SPEC	-	-
WEIGHT	0	-

③⑤	④	①⑧	1053489-2
③⑤	④	②⑥	1053489-1
CONTACT	DIELECTRIC	HOUSING	TE PN



NAME				OSM JACK TO JACK ADAPTER			
SIZE	CAGE CODE	DRAWING NO	RESTRICTED TO				
A3	00779	C-1053489	-				
CUSTOMER DRAWING			SCALE	SHEET	REV		
			8:1	1 OF 1	B1		

单击下面可查看定价，库存，交付和生命周期等信息

[>>TE Connectivity\(泰科\)](#)