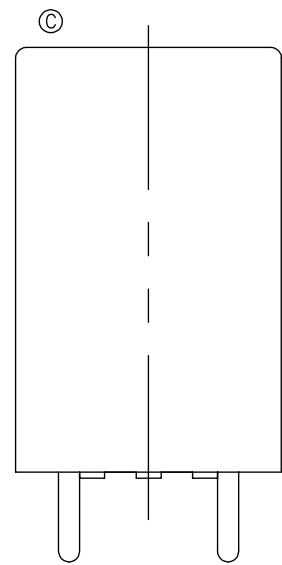
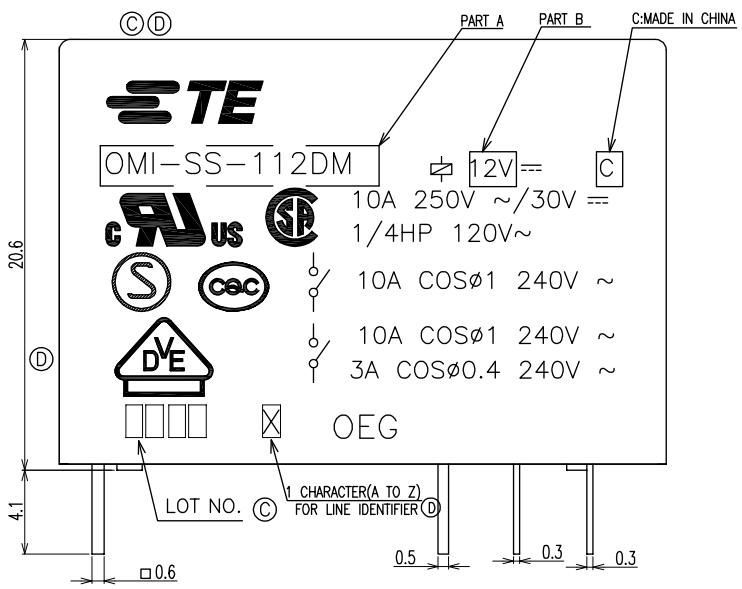
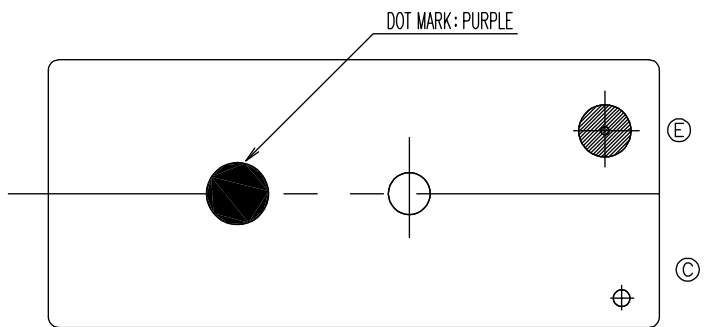
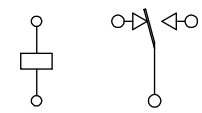


THIS DRAWING IS UNPUBLISHED. RELEASED FOR PUBLICATION -.-
 © COPYRIGHT - By - ALL RIGHTS RESERVED.

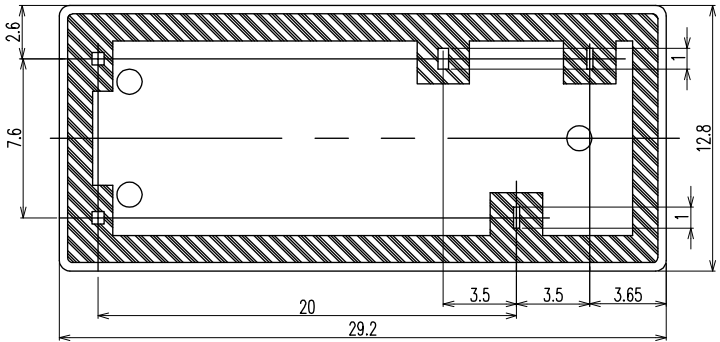
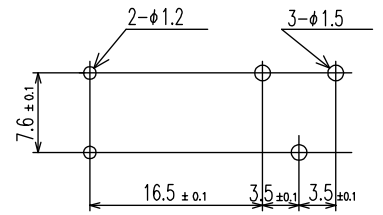
LOC	DIST	REVISIONS			
P	LTR	DESCRIPTION	DATE	DWN	APVD
HB	-				
	D	CHANGE LOGO; ADD CQC, LINE IDENTIFIER, PLATING THICKNESS ECO-12-005725	20-AUG-12	D.L	BH.Y
	E	REVISE ONLY ECO-13-015347	16-DEC-13	XL,Y	B,F



CONNECTION DIAGRAM (BOTTOM VIEW)



DRILLING DIAGRAM(2/1) (BOTTOM VIEW)

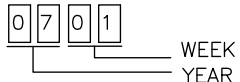


THIS DRAWING IS A CONTROLLED DOCUMENT.		DWN H.SASAKI		TE Connectivity	
DIMENSIONS: mm		CHK Y.OIKAWA			
TOLERANCES UNLESS OTHERWISE SPECIFIED:		APVD A.NAGAI		NAME	
0 PLC ±- 1 PLC ±- 2 PLC ±- 3 PLC ±- 4 PLC ±- ANGLES ±-		PRODUCT SPEC		OMI-SH-D/L SPEC,394 CUSTOMER DRAWING	
MATERIAL		FINISH		RESTRICTED TO	
-		-		-	
		WEIGHT		SIZE CAGE CODE DRAWING NO	
		-		A3 00779 C=3-1440000-8	
CUSTOMER DRAWING		SCALE 4:1		SHEET 1 of 2 REV E	

THIS DRAWING IS UNPUBLISHED. RELEASED FOR PUBLICATION
 © COPYRIGHT - By - ALL RIGHTS RESERVED.

LOC	DIST	REVISIONS					
HB	-	P	LTR	DESCRIPTION	DATE	DWN	APVD

- NOTES:
 1.-SH- : WASHABLE TYPE
 2.LOT NO. SYSTEM AS FOLLOWING:



- 3.GENERAL TOLERANCE AS FOLLOWING:

TOLERANCE	
0~0.99mm	±0.1
1mm~2.99mm	±0.2
3mm MIN.	±0.3

- ④4.FOR THE TIN-PLATING OF THE PINS:
 +0.1mm FOR WIDTH,THICKNESS AND DIAMETER.
 +0.5mm FOR LENGTH.

1-1461330-5	OMI-SH-124D,394	OMI-SH-124D	24V
1461330-2	OMI-SH-148D,394	OMI-SH-148D	48V
1461330-1	OMI-SH-148L,394	OMI-SH-148L	48V
4-1440000-3	OMI-SH-124L,394	OMI-SH-124L	24V
4-1440000-0	OMI-SH-112L,394	OMI-SH-112L	12V
3-1440000-8	OMI-SH-112D,394	OMI-SH-112D	12V
TE PART NO	EC TYPE NAME	PART A	PART B

RELAY TYPE

		UV RESIN	UV SEAL	18
		EPOXY RESIN	SEAL	17
UL94 V-0		PBT	CASE	16
		-	TAPE	15
CLASS E		UEW	MAGNETIC WIRE	14
UL94 V-0		PET	BASE	13
UL94 V-0		PBT	BOBBIN	12
	SOLDER DIP	CP WIRE	COIL TERMINAL	11
UL94 V-0		PPS	CARD	10
		Ag ALLOY	MOVABLE CONTACT	9
		Ag ALLOY	STATIONARY CONTACT	8
		Cu ALLOY	HINGE SPRING	7
	SOLDER DIP	Cu ALLOY	B TERMINAL	6
	SOLDER DIP	Cu ALLOY	M TERMINAL	5
	SOLDER DIP	Cu ALLOY	MOVABLE SPRING	4
		STEEL	CORE	3
		STEEL	ARMATURE	2
		STEEL	YOKE	1
INCOMBUSTIBILITY	TREATMENT	MATERIAL	DESCRIPTION	ITEM

THIS DRAWING IS A CONTROLLED DOCUMENT.		DWN H.SASAKI				
DIMENSIONS: mm		CHK Y.OIKAWA				
		APVD A.NAGAI	NAME OMI-SH-D/L SPEC,394 CUSTOMER DRAWING			
TOLERANCES UNLESS OTHERWISE SPECIFIED:		PRODUCT SPEC -	SIZE A3	CAGE CODE 00779	DRAWING NO C=3-1440000-8	RESTRICTED TO -
MATERIAL -		FINISH -	APPLICATION SPEC -	WEIGHT -	SCALE 4:1	SHEET 2 of 2
CUSTOMER DRAWING			REV E			

单击下面可查看定价，库存，交付和生命周期等信息

[>>TE Connectivity\(泰科\)](#)