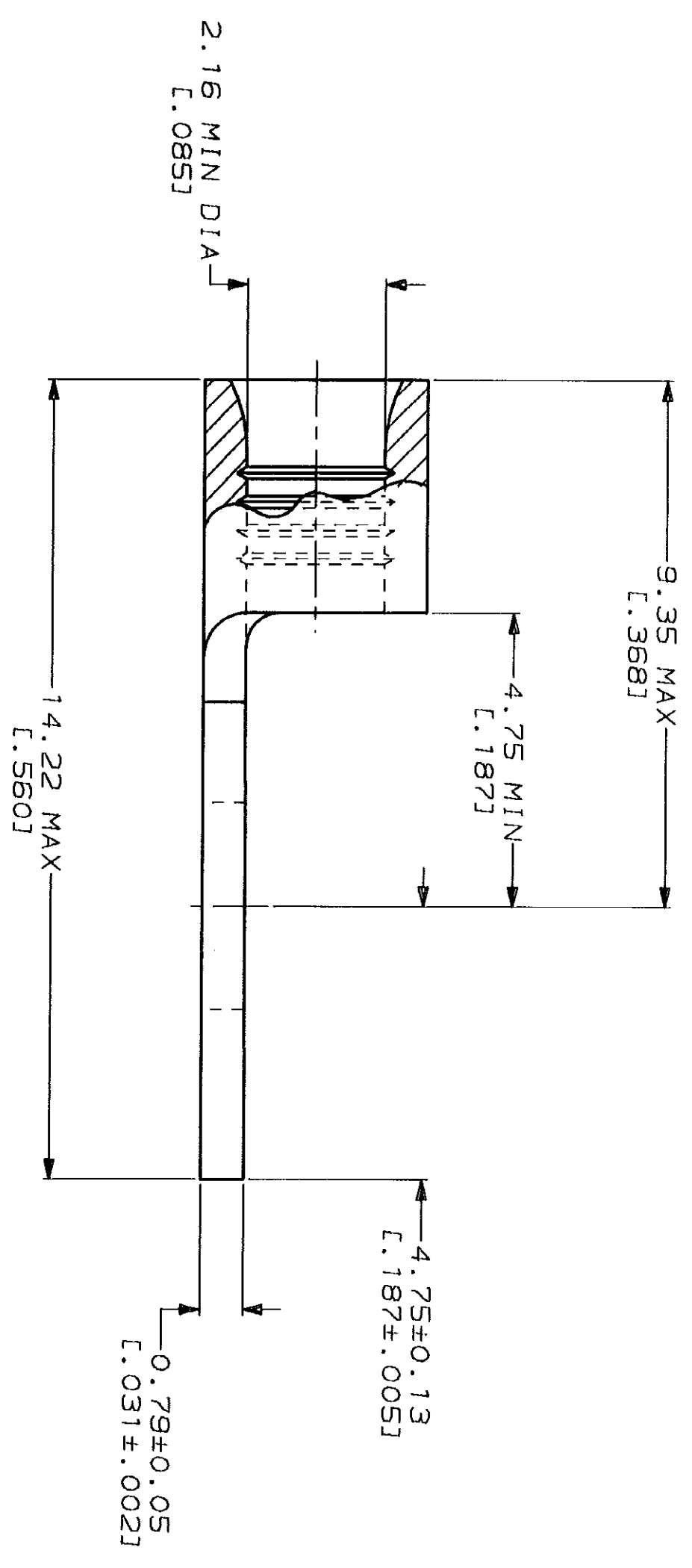
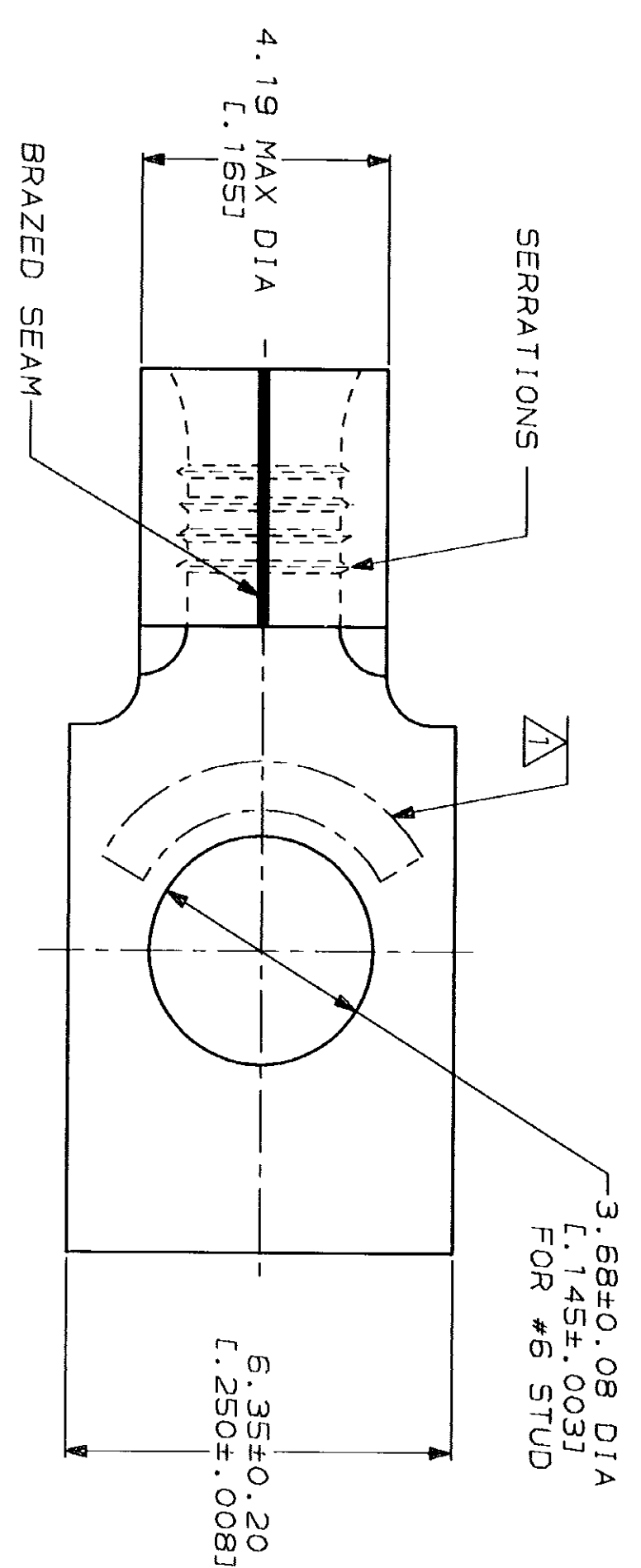


LOC	DIST	F	ZONE	LTR	REV	DESCRIPTION	DATE	APPD
G	14			C	REV 8	REDRAWN PER 0720-0040-93	3-26-93	YB DAP

METRIC
 DIMENSIONS LISTED IN MM [INCHES]

AMP WIRE RANGE	UL E13288 Listed
16-14 AWG SOLID OR STRANDED	16-14 AWG SOLID OR STRANDED
LR7189 Certified	MILITARY P/N AND CLASS
16-14 AWG SOLID OR STRANDED	NOT APPLICABLE

△ STAMP AMP 16-14* APPROX AS SHOWN



AMP INCORPORATED
CUSTOMER SERVICE SYSTEMS

FOR ADDITIONAL PRODUCT INFORMATION OR COPIES OF DRAWINGS AND TECHNICAL DOCUMENTS	PRODUCT INFORMATION CENTER 1-800-522-6752
FOR APPLICATION TOOLING INFORMATION	TOOLING ASSISTANCE CENTER 1-800-722-1111
FOR ORDER ENTRY	1-800-526-5142

MAX RECOMMENDED OPERATING
TEMPERATURE: 170°C MAX

VOLTAGE RATING:
NOT APPLICABLE

WIRE CROSS SECTIONAL AREA RANGE:
1.04-2.62mm² [2,050-5,180] CIR MILS
SOLID OR STRANDED

DO NOT SCALE PRINT.
UNLESS SPECIFIED
DIMENSIONS IN mm FINISHES
TOLERANCES ON:
2 PLC DEC # -
3 PLC DEC # -
ANGLES

MATERIAL
COPPER PER
ASTM B-152
ANNEALED

FINISH
TIN PLATE
0.00254L [0.00100] MIN
THK PER MIL-T-10727

DR 3-26-93 TA BRINKMAN	APPD 3-26-93 JL MECKLEY
CHK 3-26-93 DA PATTERSON	
APPD 3-26-93 DE MILLER	

AMP	AMP Incorporated Harrisburg, PA 17105-3608
NAME	TERMINAL, RECTANGULAR TONGUE, SOLI STRAND™
SIZE	CAGE CODE 00779 DRAWING NO G-320815
SCALE	10:1

320815
 PART NO

单击下面可查看定价，库存，交付和生命周期等信息

[>>TE Connectivity\(泰科\)](#)