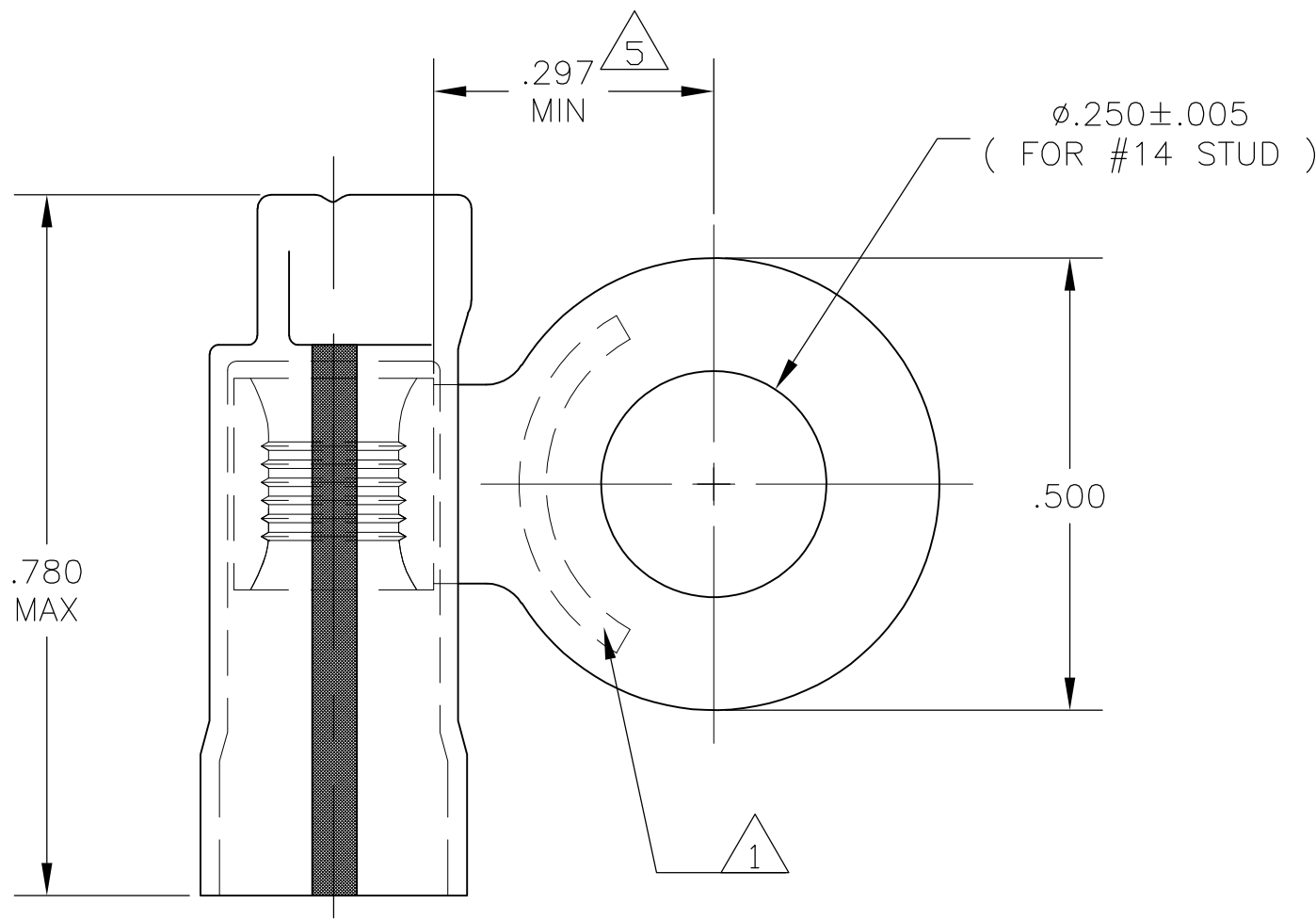


THIS DRAWING IS UNPUBLISHED. RELEASED FOR PUBLICATION  
 © COPYRIGHT - BY TYCO ELECTRONICS CORPORATION. ALL RIGHTS RESERVED.

LOC	DIST	REVISIONS					
G	14	P	LTR	DESCRIPTION	DATE	DWN	APVD
			D1	REV PER ECR 08-028283	07NOV08	JR	TM



**AMP**  
WIRE RANGE

16-14 HD AWG  
SOLID OR STRANDED

- 1 STAMP AMP 16-14HD, LOCATED APPROX AS SHOWN
- 2 WIRE INSUL DIA., .180-.280
- 3 TONGUE MATL THK, .050 MAX
- 4 MATERIAL: BODY - CU PER ASTM B152  
- FINISH TIN PL PER ASTM B545  
SLEEVE - PVC  
- COLOR NATURAL W/ BLACK STRIPE
- 5 FROM EDGE OF METAL WIRE BBL TO CENTER OF STUD HOLE

250	LOOSE PIECE	322511-1
QTY	PACKAGE TYPE	PART NO

<b>AMP INCORPORATED CUSTOMER SERVICE SYSTEMS</b>		MAX RECOMMENDED OPERATING TEMPERATURE: 105°C [221°F]	THIS DRAWING IS A CONTROLLED DOCUMENT.		DWN jr_ruth 16DEC05	<b>Tyco Electronics</b> Tyco Electronics Corporation Harrisburg, PA 17105-3608	
FOR ADDITIONAL PRODUCT INFORMATION OR COPIES OF DRAWINGS AND TECHNICAL DOCUMENTS	PRODUCT INFORMATION CENTER 1-800-522-6752	VOLTAGE RATING: 300V MAX	DIMENSIONS: INCHES	TOLERANCES UNLESS OTHERWISE SPECIFIED:	CHK T MICHELUTTI 16DEC05	NAME TERMINAL, FLAG, RING TONGUE, PLASTI-GRIP, WIRE SIZE 16-14 HD AWG	
FOR APPLICATION TOOLING INFORMATION	TOOLING ASSISTANCE CENTER 1-800-722-1111	CIRCULAR MIL AREA: 1.04-2.62mm² [2,050-5,180] SOLID OR STRANDED		0 PLC ± - 1 PLC ± - 2 PLC ± - 3 PLC ± .008 4 PLC ± - ANGLES ± 5°	APVD T MICHELUTTI 16DEC05	APPLICATION SPEC	SIZE A3
FOR ORDER ENTRY	1-800-526-5142	THIS DRAWING IS A CONTROLLED DOCUMENT FOR AMP INCORPORATED. IT IS SUBJECT TO CHANGE AND THE CONTROLLING ENGINEERING ORGANIZATION SHOULD BE CONTACTED FOR THE LATEST REVISION.	MATERIAL - 4	FINISH - 4	PRODUCT SPEC	RESTRICTED TO	CAGE CODE 00779
					WEIGHT -	DRAWING NO G-322511	SCALE 5:1
					CUSTOMER DRAWING		SHEET 1 OF 1
							REV D1

单击下面可查看定价，库存，交付和生命周期等信息

[>>TE Connectivity\(泰科\)](#)