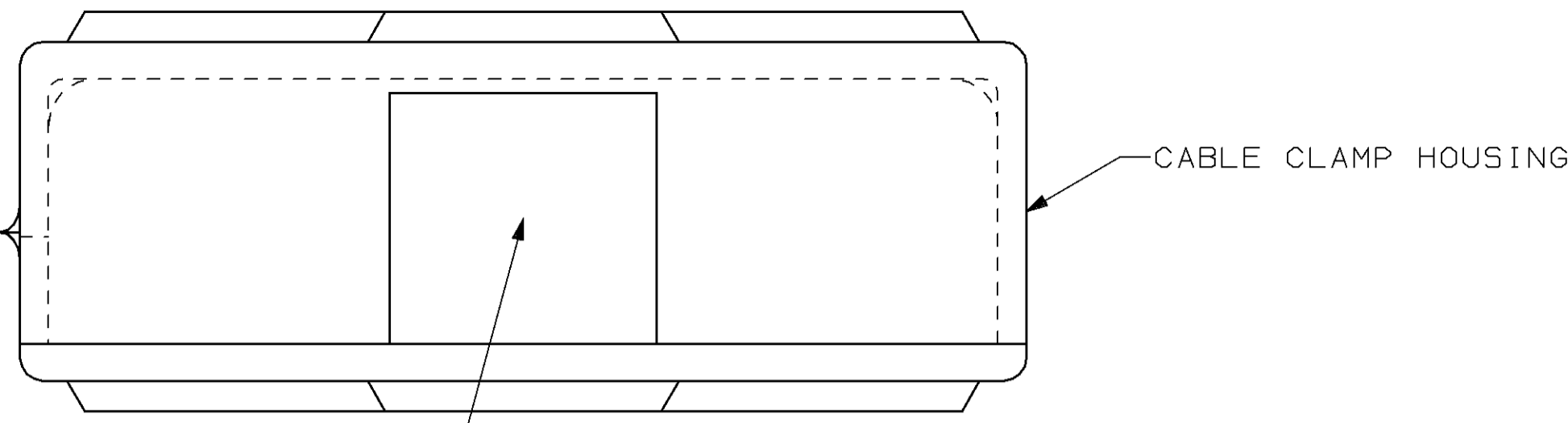
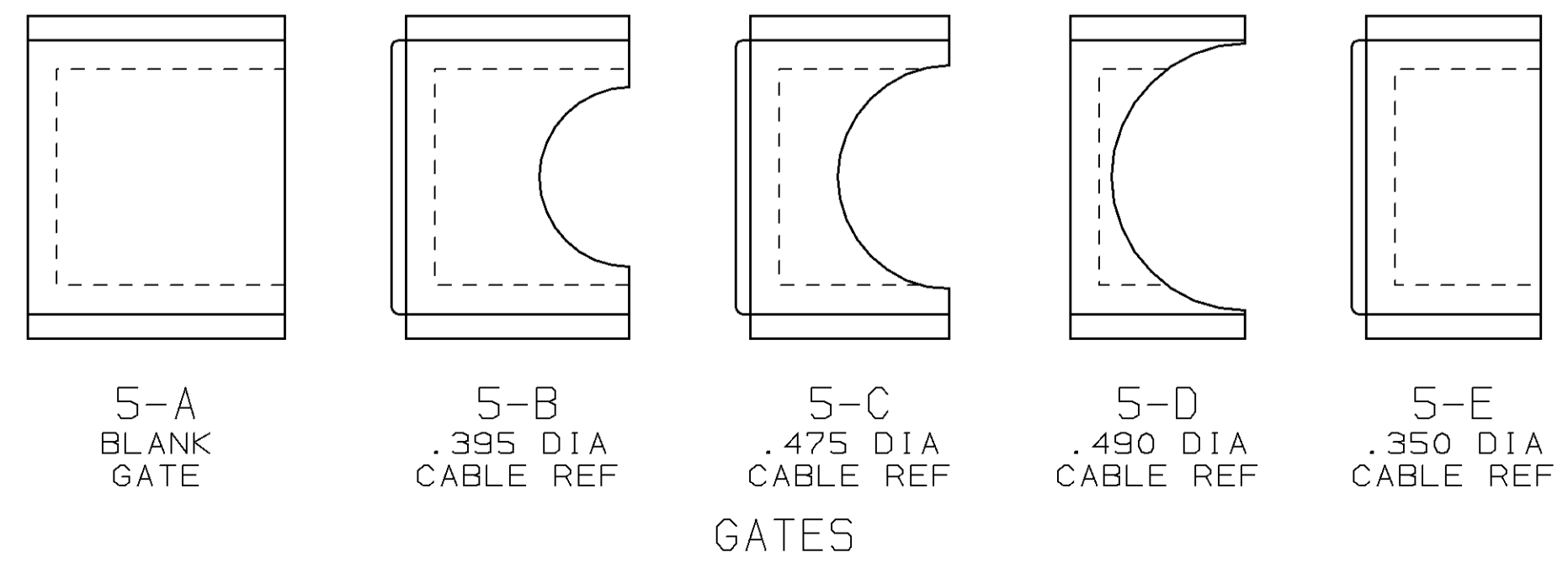
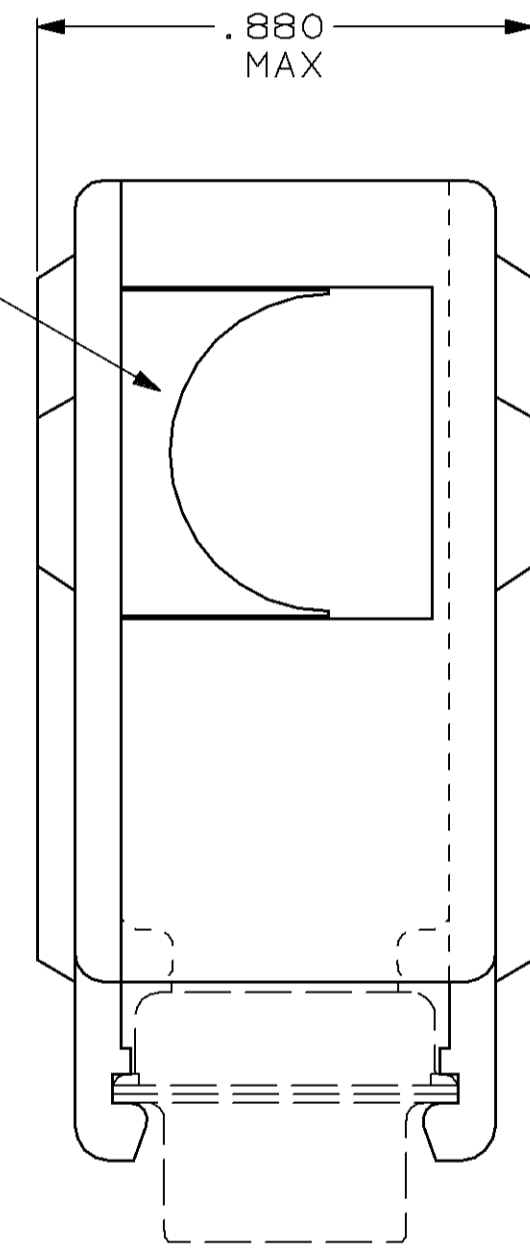
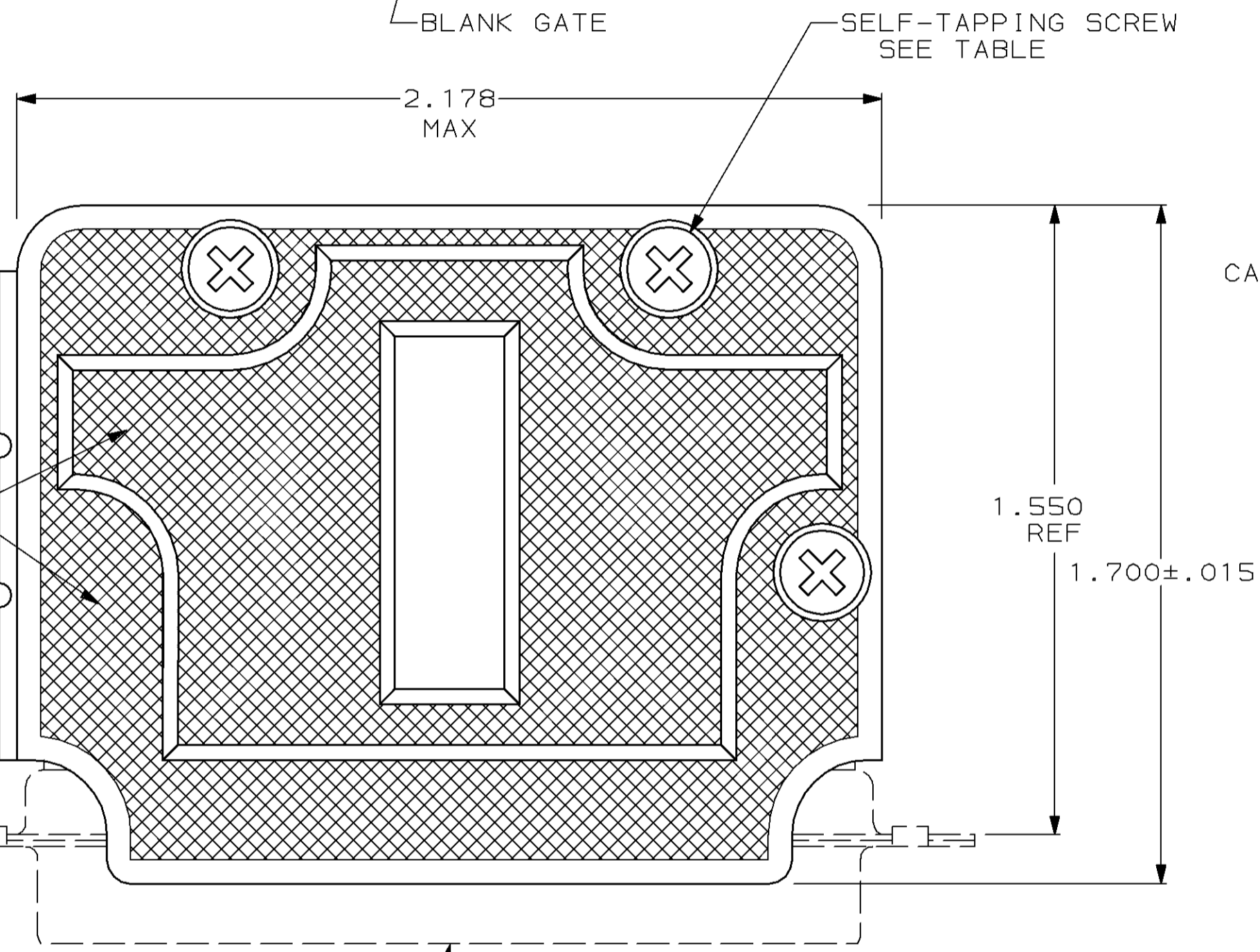


THIS DRAWING IS UNPUBLISHED. RELEASED FOR PUBLICATION, 19 .
 © COPYRIGHT 19 BY AMP INCORPORATED, HARRISBURG, PA. ALL INTERNATIONAL RIGHTS RESERVED. AMP PRODUCTS MAY BE COVERED BY U.S. AND FOREIGN PATENTS AND/OR PATENTS PENDING.

LOC		DIST		P		F		REVISIONS			
BD	48			ZONE	LTR	DESCRIPTION	DATE	APPD			
					D	REV PER EC 0020-1140-95	19 DEC 95	JS			
					E	OBSOLETE -2 PER EC 0020-779-95	03 FEB 96	CS			



- PARTS PACKAGED UNASSEMBLED.
 - CABLE GATES ARE INTERCHANGEABLE ALLOWING 90° & 180° CABLE EXIT.
- ⚠ COMPONENTS INDIVIDUALLY BULK PACKED AND SHIPPED AS A UNIT PACKAGE KIT.



	SLOTTED	⚠	207476-4
	SLOTTED	AS SHOWN	207476-3
OBSOLETE	CROSS-RECESSED	⚠	207476-2
	CROSS-RECESSED	AS SHOWN	207476-1
	SCREW VERSION	PACKAGING	PART NUMBER

UNLESS OTHERWISE SPECIFIED DIMENSIONS ARE IN INCHES TOLERANCES ON :
 2 PL DEC ± -
 3 PL DEC ± .005
 ANGLES ± -

MATERIAL MOLDED PARTS: POLYPROPYLENE, COLOR: BLACK
 SCREWS: STEEL PER ASTM A108

FINISH SCREWS: ZINC PHOSPHATE PER MIL-P-16232.

DR 09-16-86 S.WELDON
 CHK 09-16-86 C.RICHARD
 APPD 09-16-86 S.SCHEIFERLY
 APPD 09-16-86 V.KUMAR
 PRODUCT SPEC -
 APPLICATION SPEC -
 WEIGHT -

AMP AMP INCORPORATED Harrisburg, Pa. 17105

NAME
 CABLE CLAMP KIT, SIZE 5,
 ONE PIECE, 90° & 180° EXIT,
 AMPLIMITE®

SIZE	FSCM NO	DRAWING NO
C	00779	207476
SCALE	NTS	SHEET 1 OF 1

单击下面可查看定价，库存，交付和生命周期等信息

[>>TE Connectivity\(泰科\)](#)