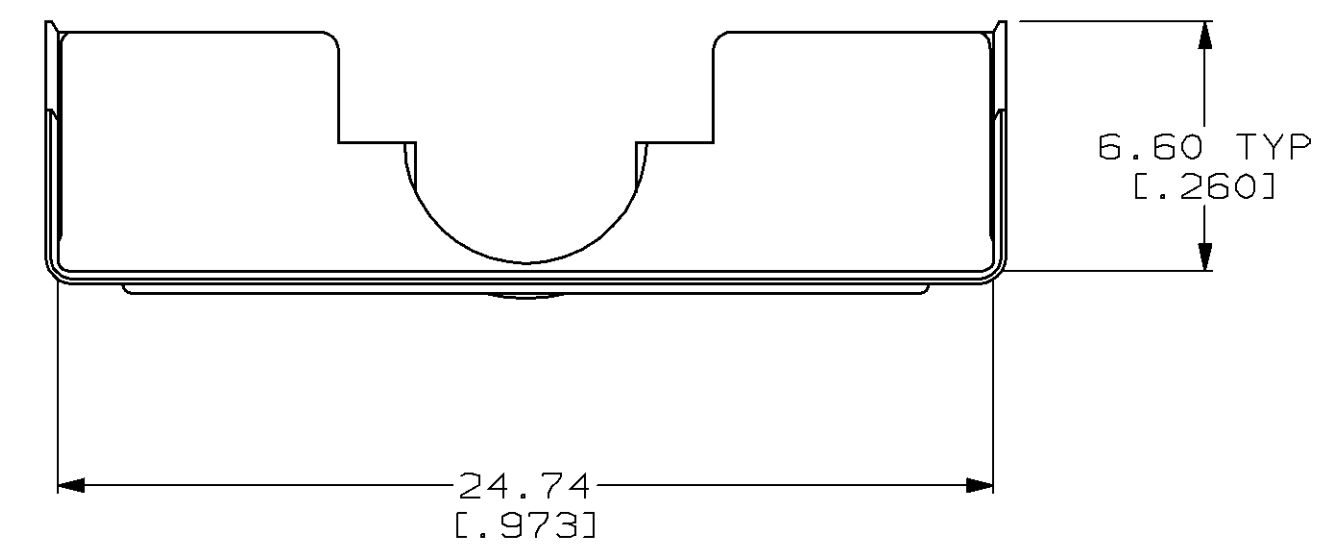
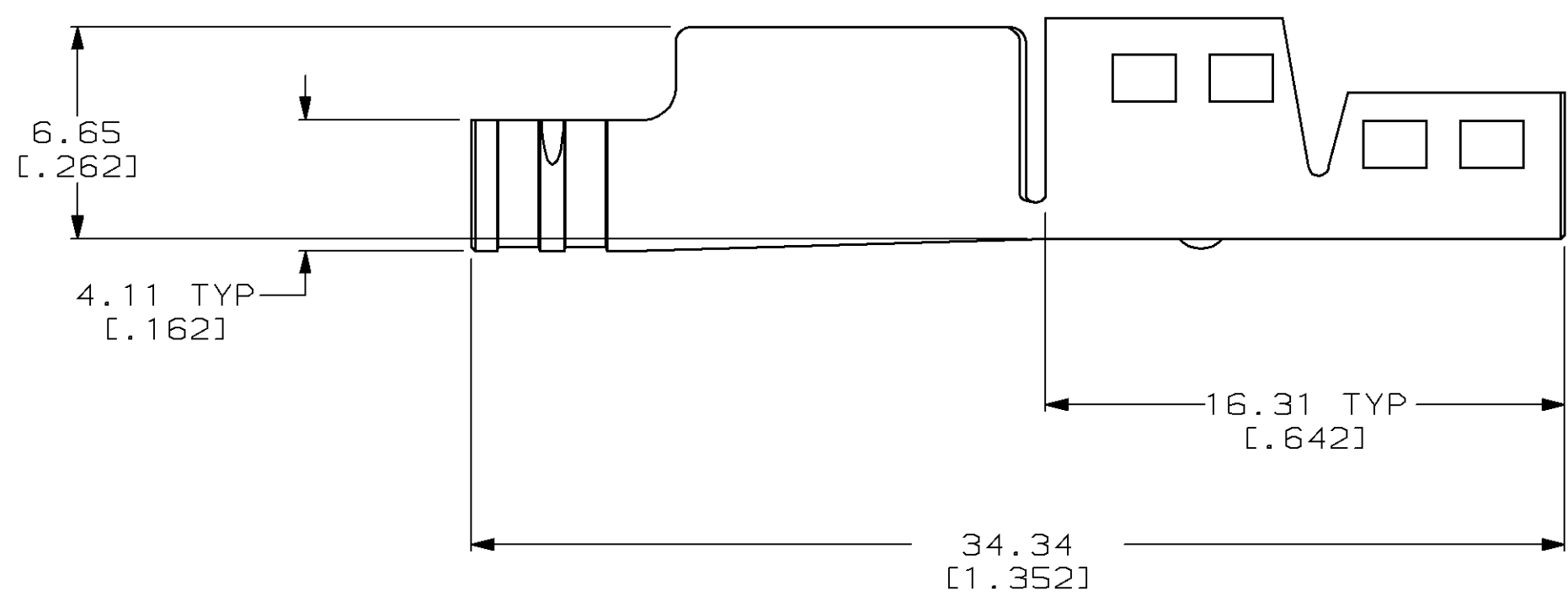


THIS DRAWING IS UNPUBLISHED. RELEASED FOR PUBLICATION, 19 .  
 © COPYRIGHT 19 BY AMP INCORPORATED. ALL INTERNATIONAL RIGHTS RESERVED.

LOC	DIST	P	F	ZONE	LTR	DESCRIPTION	DATE	APPD
BD	50				C	REDRAWN	9/27/90	-
					D	REV PER ECN BD5662 & 5592	11/21/91	-
					E	REV PER EC 0410-251-97	22 SEP 97	JDS

1. THIS PART TO BE USED WITH:  
 PLUG ASSEMBLY 520424-6  
 BOTTOM SHIELD 520467-1  
 FERRULE 520441-1



520466-1  
 PART NUMBER

DO NOT SCALE PRINT. UNLESS SPECIFIED DIMENSIONS IN mm [INCHES] TOLERANCES ON: 2 PLC DEC ±0.38 [.015] 3 PLC DEC ± - ANGLES ± -	DR 9/27/90 A.STAUB BG	AMP Incorporated Harrisburg, PA 17105-3608	
	CHK 2-25-91 R.STONE		
MATERIAL 0.320 [.0126] CARBON STEEL	APPD 2-27-91 J.PRITULSKY	SHELL, TOP HALF, 16 POSITION, SDL	
FINISH 3.81 μm [.000150] MIN TIN OVER 2.54 μm [.000100] MIN COPPER	APPD - PRODUCT SPEC -		
	APPLICATION SPEC -	SIZE C 00779	DRAWING NO 520466
	WEIGHT -	SCALE 5:1	SHEET 1 OF 1

单击下面可查看定价，库存，交付和生命周期等信息

[>>TE Connectivity\(泰科\)](#)