

THIS DRAWING IS UNPUBLISHED.

RELEASED FOR PUBLICATION

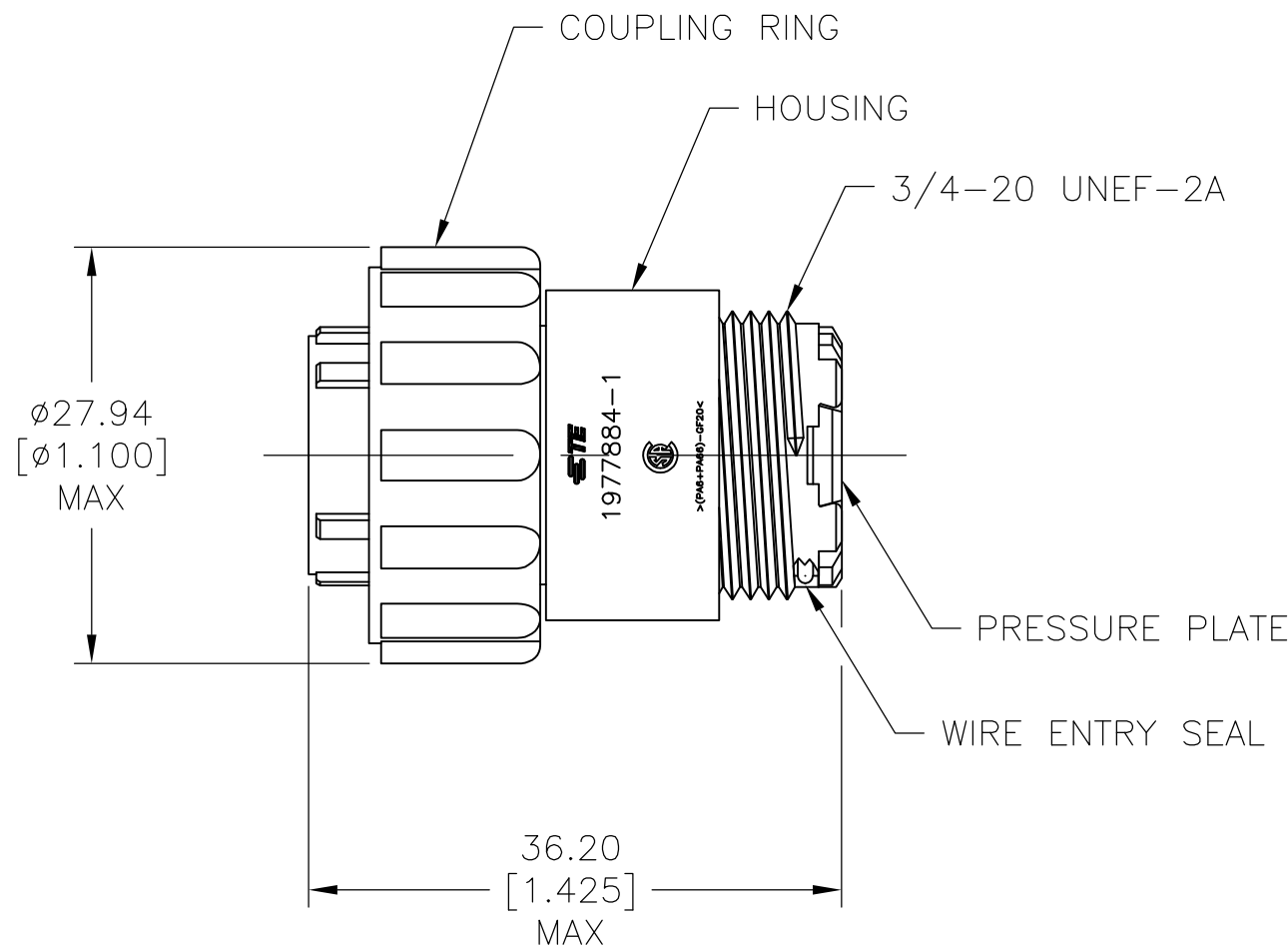
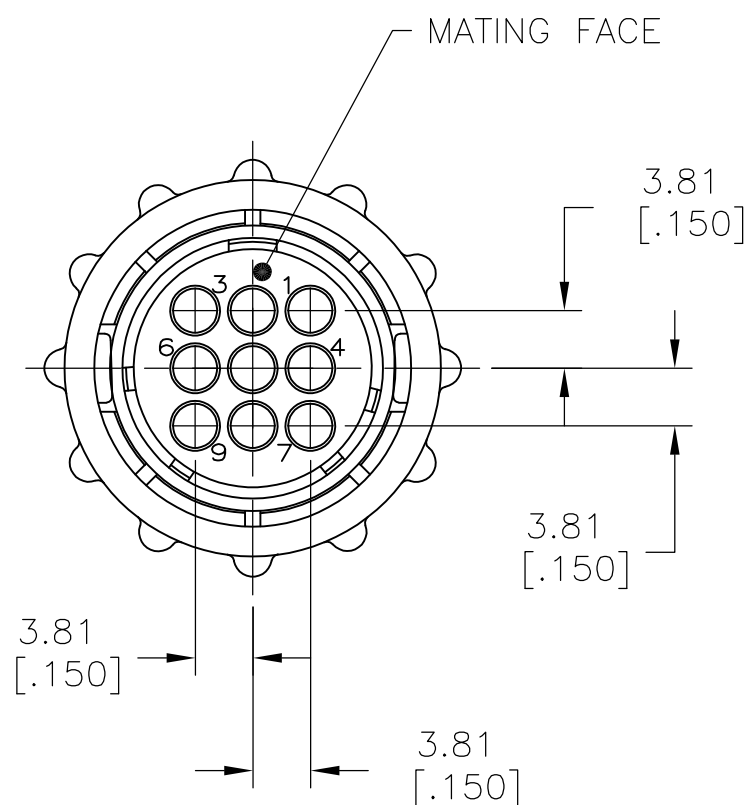
ALL RIGHTS RESERVED.

© COPYRIGHT - By -

REVISIONS

P	LTR	DESCRIPTION	DATE	DWN	APVD
	A	NEW DRAWING PER ECO-12-018480	08NOV12	KH	MZ
	B	REVISED PER ECO-16-006378	03NOV2016	RS	MZ

- 1 THIS PART WILL ACCEPT NINE (9) MULTIMATE SOCKET CONTACTS.
- 2 COUPLING RING, HOUSING, AND PRESSURE PLATE: NYLON, BLACK.
WIRE ENTRY SEAL: ELASTOMER, RED-IRON OXIDE.



.065-.100	STANDARD	1977884-1
WIRE INSULATION DIAMETER RANGE	INSULATION	PART NUMBER

THIS DRAWING IS A CONTROLLED DOCUMENT.		DWN KIRAN HOLAL 08NOV12	STE TE Connectivity		
DIMENSIONS: mm [INCHES]		CHK M ZITTO 08NOV12			
TOLERANCES UNLESS OTHERWISE SPECIFIED:		APVD M ZITTO 08NOV12	NAME CPC PLUG ASSEMBLY, SERIES 1, SEALED, 13-9, STANDARD SEX, UV RESISTANT		
0 PLC ± -		PRODUCT SPEC	SIZE		
1 PLC ± -		APPLICATION SPEC	CAGE CODE		
2 PLC ± 0.13 [.005]		WEIGHT	DRAWING NO		
3 PLC ± -		CUSTOMER DRAWING	RESTRICTED TO		
4 PLC ± -			SCALE		
ANGLES ± -		SHEET			
FINISH		REV			
MATERIAL		A3 00779 C-1977884			
2		2:1			
		1 OF 1			
		B			

单击下面可查看定价，库存，交付和生命周期等信息

[>>TE Connectivity\(泰科\)](#)