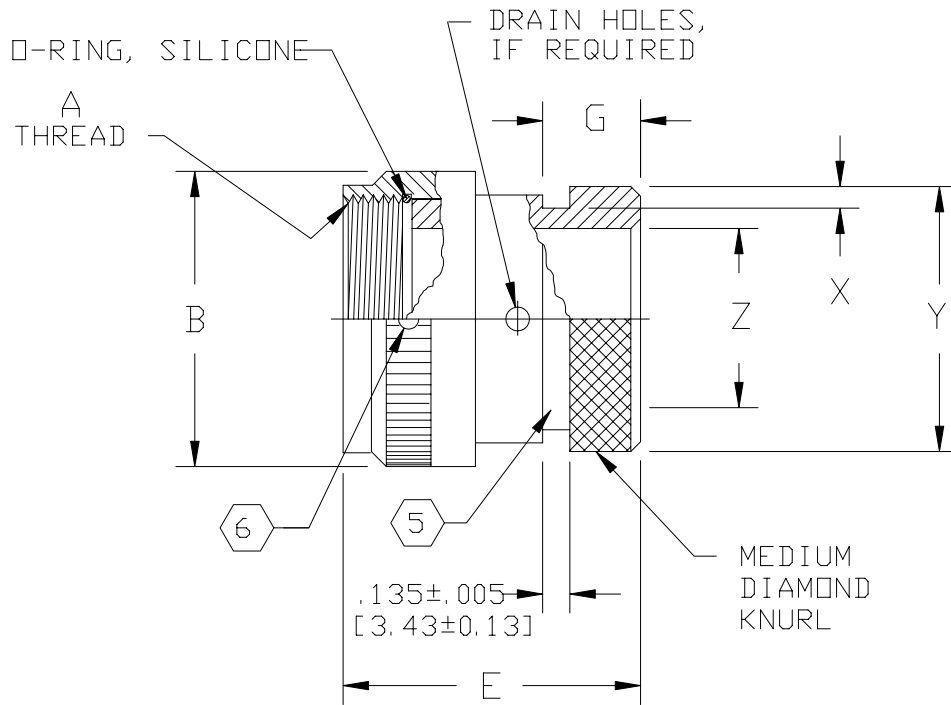


REVISIONS			
LTR	DESCRIPTION	DATE	APPROVED
G	REVISED PER ECN AD93031		




NOTES:

- THIS PRODUCT IS DESIGNED TO TERMINATE A HEAT SHRINKABLE LIPPED BOOT TO A CONNECTOR.
- FOR ADDITIONAL DIMENSIONS, ORDERING INFORMATION AND MODIFICATIONS, SEE CH00-0250-
- ADAPTER TO BE PERMANENTLY MARKED WITH CODE IDENT. NO. AND PART NO. (E.G.: 06090-202M512-19A).
- ADAPTER MATES TO MIL-C-5015, MS "V" THREAD GENERAL DUTY ENDBELLS.
- KNURL INSIDE BOOT GROOVE MAY BE SUPPLIED AT MANUFACTURER'S OPTION.
- ANTI-ROTATIONAL SET SCREW, THREE THREADED HOLES $120^\circ \pm 5^\circ$ APART, SINGLE MATING SET SCREW SUPPLIED: AN565DC4H2, NOT REQUIRED FOR TYPE II ADAPTERS.

If this document is printed it becomes uncontrolled.
Check for the latest revision.

SPECIFICATION CONTROL DRAWING

UNLESS OTHERWISE SPECIFIED DIMENSIONS ARE IN INCHES. METRIC DIMENSIONS ARE IN BRACKETS. DECIMALS .XXX ± — [mm] .XX ± — [mm] .X ± — [mm] ANGLES .X ± —	DRAWN J. BITTER DATE 06-17-93		Tyco Electronics Corporation 300 Constitution Drive Menlo Park, CA. 94025 U.S.A.			
	CHECKED DATE				TITLE ADAPTER, SPIN COUPLING CODE 15	
	APPROVED DATE	CAD NAME \ACAD12\202M5XX	SIZE A	CODE IDENT. NO. 06090	DWG. NO. 202M5XX	REV G
	APPROVED DATE	THIRD ANGLE PROJECTION 	Downloaded From 	SHEET 1 OF 2		

BASE PART NO.	SHELL SIZE 	A R. H. THREAD CLASS 2B	B MAX DIA	E MAX	G MAX	X +.008 -.000 [+0.20] [-0.00]	Y +.000 -.020 [+0.00] [-0.51] DIA	Z ±.031 [±0.79] DIA
202M503	8S & 10S	.500-28 UNEF	.781 [19.84]	1.312 [33.33]	.425 [10.80]	.044 [1.12]	.533 [13.54]	.281 [7.14]
202M504	10SL, 12 & 12S	.625-24 UNEF	.906 [23.02]	1.312 [33.33]	.425 [10.80]	.044 [1.12]	.605 [15.37]	.375 [9.53]
202M506	14 & 14S	.750-20 UNEF	1.031 [26.19]	1.312 [33.33]	.425 [10.80]	.044 [1.12]	.774 [19.66]	.531 [13.49]
202M508	16 & 16S	.875-20 UNEF	1.156 [29.37]	1.312 [33.33]	.425 [10.80]	.044 [1.12]	.838 [21.29]	.625 [15.88]
202M510	18	1.000-20 UNEF	1.344 [34.14]	1.312 [33.33]	.425 [10.80]	.044 [1.12]	.963 [24.47]	.750 [19.05]
202M512	20 & 22	1.188-18 UNEF	1.469 [37.32]	1.312 [33.33]	.425 [10.80]	.069 [1.75]	1.217 [30.92]	.969 [24.61]
202M516	24 & 28	1.438-18 UNEF	1.813 [46.06]	1.312 [33.33]	.425 [10.80]	.069 [1.75]	1.443 [36.66]	1.188 [30.18]
202M520	32	1.750-18 UNS	2.156 [54.77]	1.375 [34.93]	.425 [10.80]	.069 [1.75]	1.709 [43.41]	1.375 [34.93]
202M524	36	2.000-18 UNS	2.436 [61.88]	1.562 [39.68]	.587 [14.91]	.086 [2.18]	1.919 [48.75]	1.625 [41.28]
202M528	40	2.250-16 UN	2.688 [68.28]	1.562 [39.68]	.587 [14.91]	.086 [2.18]	2.169 [55.10]	1.875 [47.63]

If this document is printed it becomes uncontrolled.
Check for the latest revision.

SIZE CODE IDENT. NO. DWG. NO.

A 06090

202M5XX

REV

G

Downloaded From [Oneyac.com](http://www.Oneyac.com)

THIS DWG CAD NAME \ACAD12\202M5X-4 SHEET 2 OF 2

单击下面可查看定价，库存，交付和生命周期等信息

[>>TE Connectivity\(泰科\)](#)