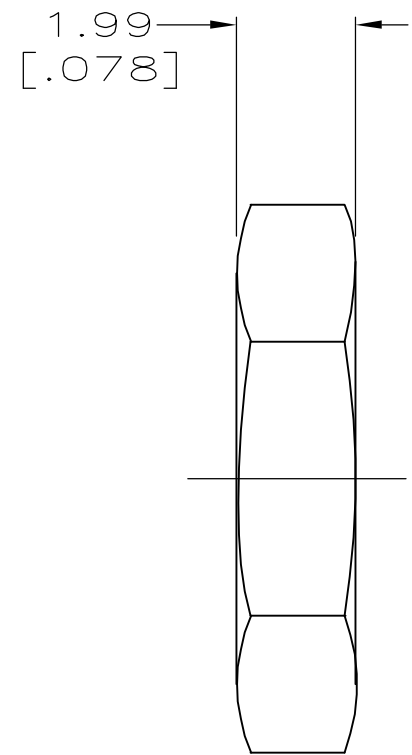
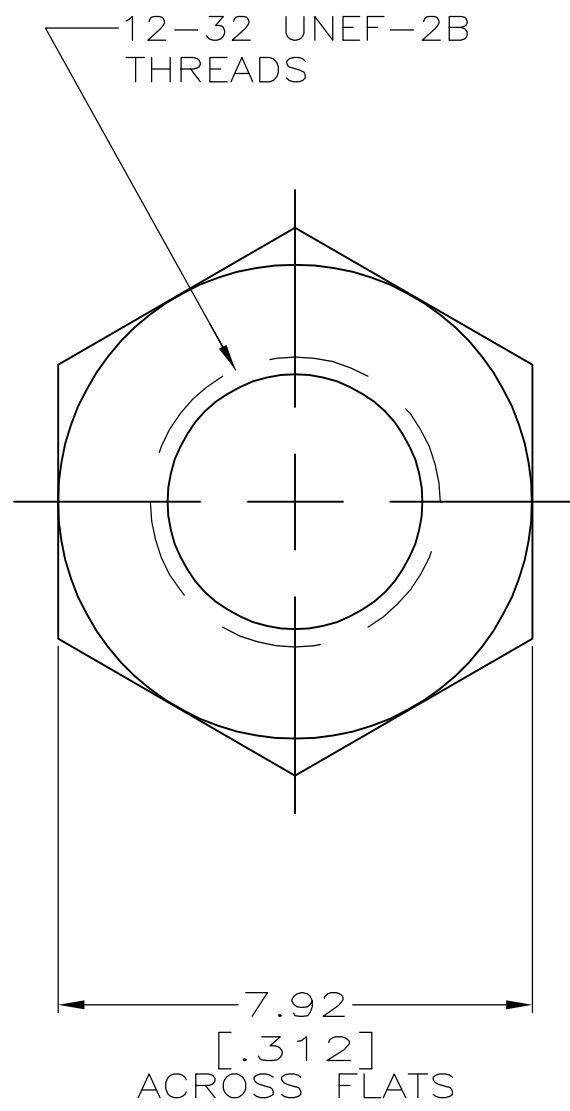


THIS DRAWING IS UNPUBLISHED. RELEASED FOR PUBLICATION
 © COPYRIGHT BY TYCO ELECTRONICS CORPORATION. ALL RIGHTS RESERVED.

LOC	DIST	REVISIONS					
AJ	16	P	LTR	DESCRIPTION	DATE	DWN	APVD
		D		REV PER ECO-06-003170	10MAR06	PY	WM

- ① BRASS PER QQ-B-626.
- ② STAINLESS STEEL PER ASTM-A-582.
- ③ SILVER PLATE PER QQ-S-365.
- ④ GOLD PLATE PER MIL-G-45204.
- ⑤ PASIVATION PER QQ-P-35.
- ⑥ SPECIAL PACKAGING; PACKAGED 250 PIECES PER BAG.



⑥	③	①	5-328690-0
	④	②	1-328690-5
	⑤	②	1-328690-3
	④	②	1-328690-2
	③	①	329680
	FINISH	MATERIAL	PART NUMBER

THIS DRAWING IS A CONTROLLED DOCUMENT.		DWN	B. MOYER	26MAR97		Tyco Electronics Corporation	
DIMENSIONS: mm		CHK	J. CABARLO	26MAR97		Harrisburg, Pa 17105-3608	
TOLERANCES UNLESS OTHERWISE SPECIFIED:		APVD	J. CABARLO	26MAR97		NAME	
0 PLC ± - 1 PLC ± - 2 PLC ± 0.38 [.015] 3 PLC ± - 4 PLC ± - ANGLES ± -		PRODUCT SPEC	-			JAM NUT, MINIATURE THREADED SERIES	
MATERIAL		APPLICATION SPEC	-			SIZE	A3
FINISH		WEIGHT	-			CAGE CODE	00779
①-②		CUSTOMER DRAWING		SCALE	8:1	DRAWING NO	G-328690
③④-⑤				SHEET	1 OF 1	RESTRICTED TO	-
				REV	D		

单击下面可查看定价，库存，交付和生命周期等信息

[>>TE Connectivity\(泰科\)](#)