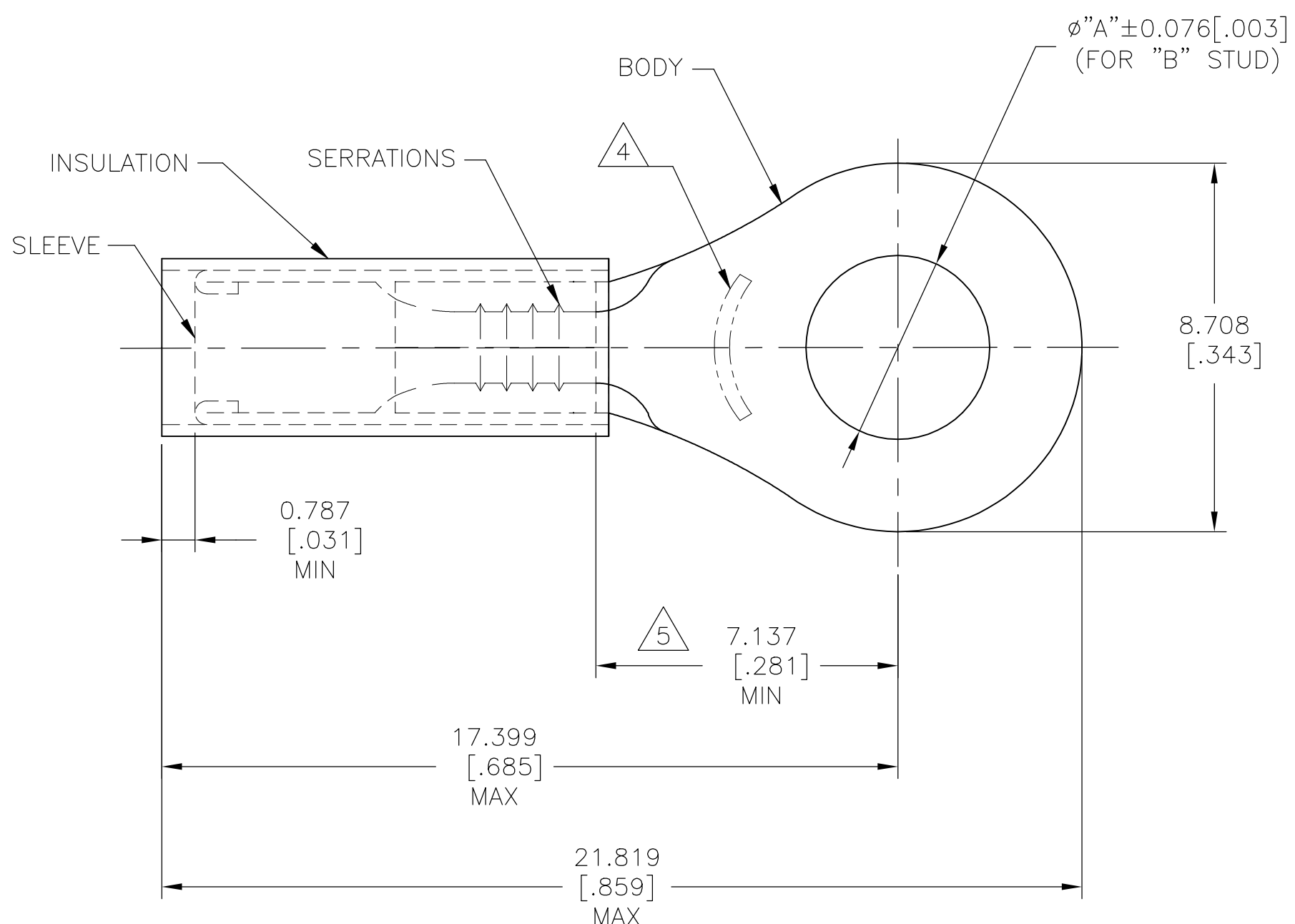


THIS DRAWING IS UNPUBLISHED. RELEASED FOR PUBLICATION  
 © COPYRIGHT - By - ALL RIGHTS RESERVED.

REVISIONS					
P	LTR	DESCRIPTION	DATE	DWN	APVD
	J3	REVISED PER ECO-15-016493	27NOV2015	NK	DR
	J4	REVISED PER ECO-17-016703	29MAR2018	RS	DR



- 1 BODY: COPPER ASTM B152  
NICKEL PL SAE AMS QQ-N-290  
0.0076[.0003] AVG. EXT. THK  
SLEEVE: COPPER ASTM B152  
NICKEL PL SAE AMS QQ-N-290  
0.00076[.00003] AVG EXT. THK
- 2 FOR 2.032[.080] TO 3.810[.150]  
WIRE INSULATION DIA.
- 3 BODY MATERIAL THK: 0.787±0.051 [.031±.002]
- 4 STAMP "AMP 14" APPROX AS SHOWN
- 5 DIMENSION APPLIES FROM EDGE OF METAL  
WIRE BARREL TO CENTER OF STUD HOLE

1000	LOOSE PIECE	5.004[.197]	#10	50840-1	PTFE (ASTM D3295) COLOR: WHITE
1000	LOOSE PIECE	4.343[.171]	M4[#8]	50840	PTFE (ASTM D3295) COLOR: WHITE
QTY	PACKAGE TYPE	"A"	"B"	PART NO.	INSULATION MATERIAL

**AMP INCORPORATED**  
**CUSTOMER SERVICE SYSTEMS**

FOR ADDITIONAL PRODUCT INFORMATION OR COPIES OF DRAWINGS AND TECHNICAL DOCUMENTS  
 PRODUCT INFORMATION CENTER  
 1-800-522-6752

FOR APPLICATION TOOLING INFORMATION  
 TOOLING ASSISTANCE CENTER  
 1-800-722-1111

FOR ORDER ENTRY  
 1-800-526-5142

MAX RECOMMENDED OPERATING TEMPERATURE:  
 288°C [550°F]

VOLTAGE RATING:  
 300V MAX

CIRCULAR MIL AREA:  
 2.15mm²[4,234]  
 STRANDED WIRE ONLY

THIS DRAWING IS A CONTROLLED DOCUMENT.

DIMENSIONS:  
 mm [INCHES]

TOLERANCES UNLESS OTHERWISE SPECIFIED:  
 REMOVE BURRS, BREAK SHARPE EDGES .015 R MAX

0 PLC ± -  
 1 PLC ± -  
 2 PLC ± -  
 3 PLC ± 0.127[.005]  
 4 PLC ± -  
 ANGLES ± 5°

MATERIAL 1 SEE TABLE  
 FINISH 1 SEE TABLE

DWN 13OCT2015  
 NAGALAKSHMI K

CHK 13OCT2015  
 MERCURIO MAURIZIO

APVD 13OCT2015  
 MERCURIO MAURIZIO

PRODUCT SPEC  
 APPLICATION SPEC  
 WEIGHT

CUSTOMER DRAWING

**STE** TE Connectivity Ltd.

WIRE TERMINAL  
 PIDG™, STRATO-THERM, RING TONGUE  
 WIRE SIZE: 14 AWG

SIZE A3 CAGE CODE 00779 DRAWING NO C-50840 RESTRICTED TO -

SCALE NTS SHEET 1 OF 1 REV J4

单击下面可查看定价，库存，交付和生命周期等信息

[>>TE Connectivity\(泰科\)](#)