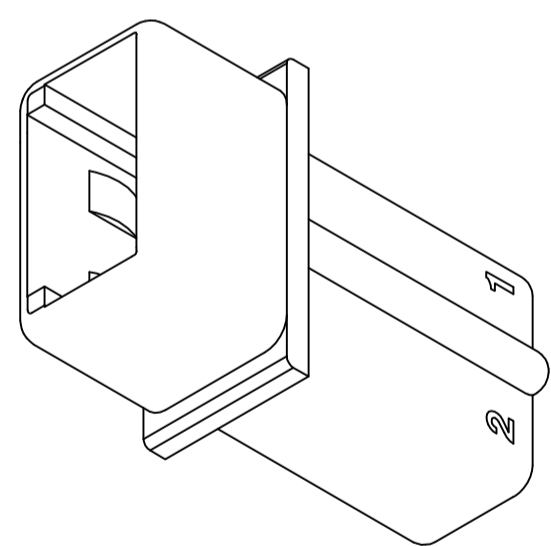
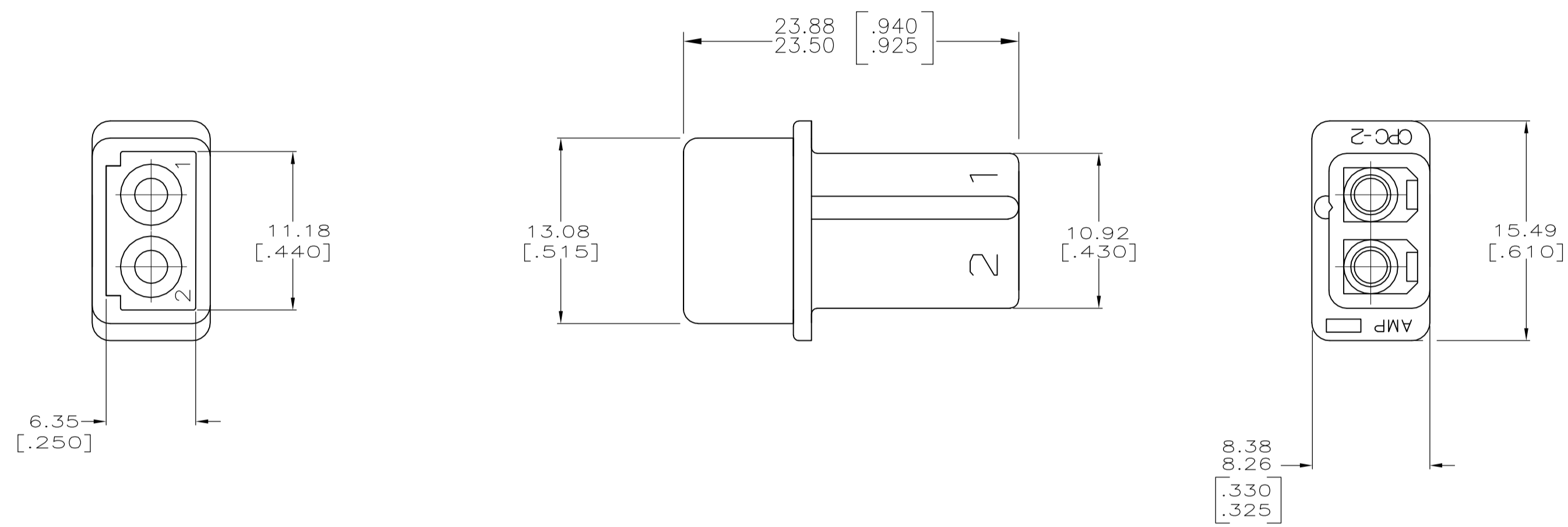


LOC	DIST	REVISIONS			
P	LTR	DESCRIPTION	DATE	DWN	APVD
CM	00	N1	REVISED PER ECO-11-004587	11MAR11	RK HMR

1. THIS CAP TO BE USED WITH PLUG NO. 480318.
2. TO BE USED WITH APPROPRIATE COMMERCIAL MATE-N-LOK PINS.
3. DIMENSIONS IN BRACKETS ARE IN INCHES.



3-DIMENSIONAL MODELS  
NTS



BLACK	1-480319-9
YELLOW	1-480319-4
NATURAL	1-480319-0
COLOR	PART NO

THIS DRAWING IS A CONTROLLED DOCUMENT.		DWN K. WHITAKER 16-FEB-04	TE Connectivity	
DIMENSIONS: mm[INCHES]		CHK D. COLEY 16-FEB-04	NAME	
TOLERANCES UNLESS OTHERWISE SPECIFIED:		APVD D. COLEY 16-FEB-04	CAP, 2 CIRCUIT, COMMERCIAL MATE-N-LOK™	
0 PLC ± -	1 PLC ± -	PRODUCT SPEC	SIZE	CAGE CODE
2 PLC ± 0.13[.005]	3 PLC ± -	APPLICATION SPEC	A2	00779
4 PLC ± -	ANGLES ± -	WEIGHT	DRAWING NO	480319
MATERIAL UL94V-2,NYLON	FINISH -	CUSTOMER DRAWING	SCALE	4:1
			SHEET	1 OF 1
			REV	N1

单击下面可查看定价，库存，交付和生命周期等信息

[>>TE Connectivity\(泰科\)](#)