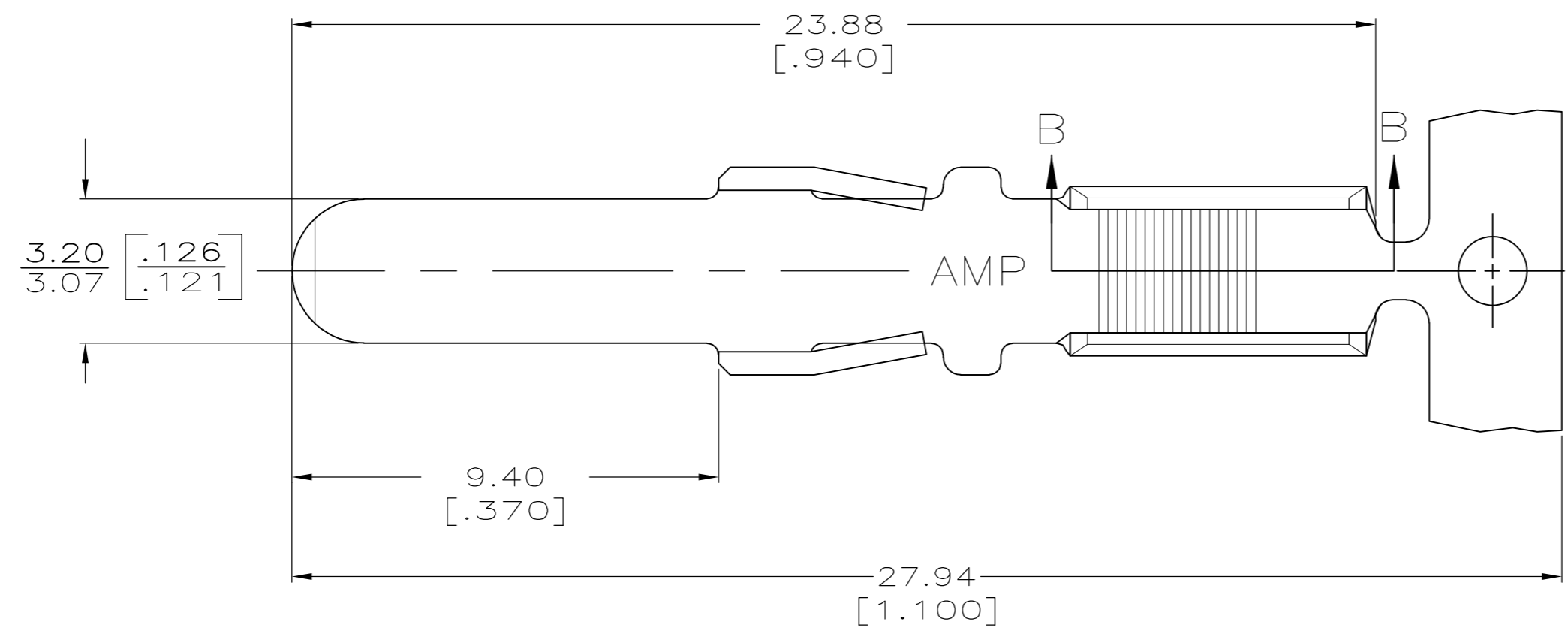
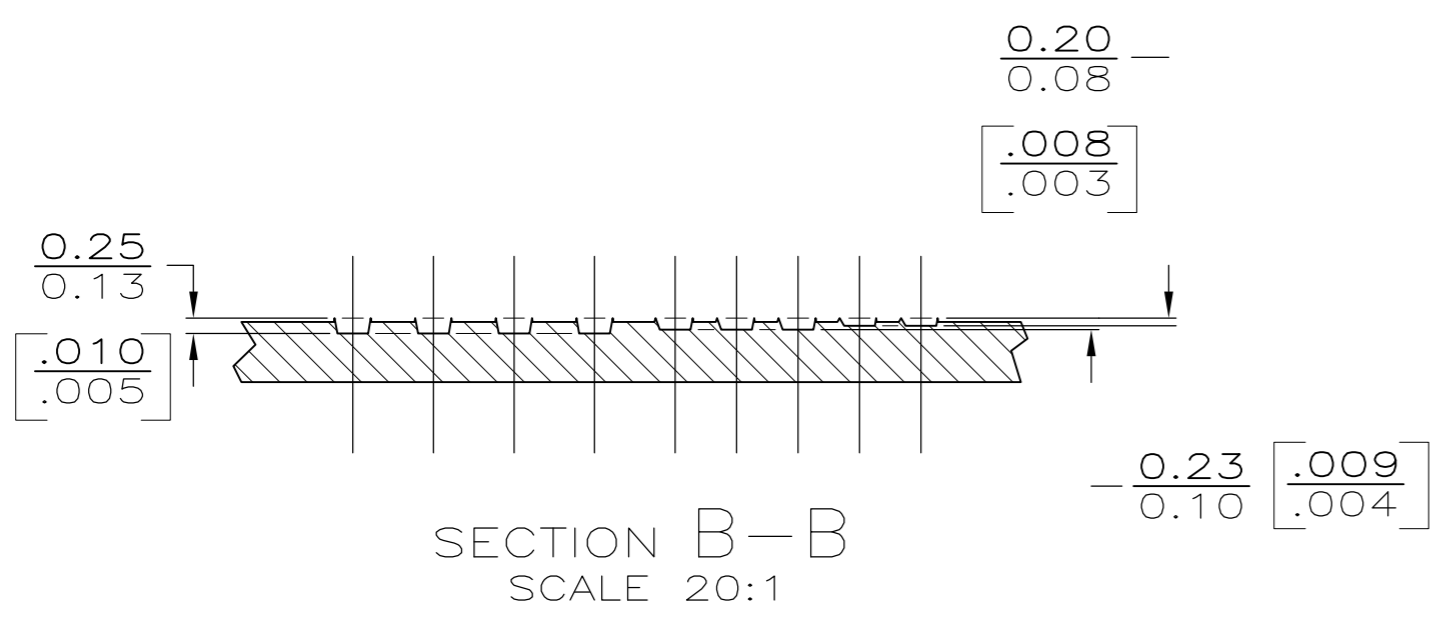
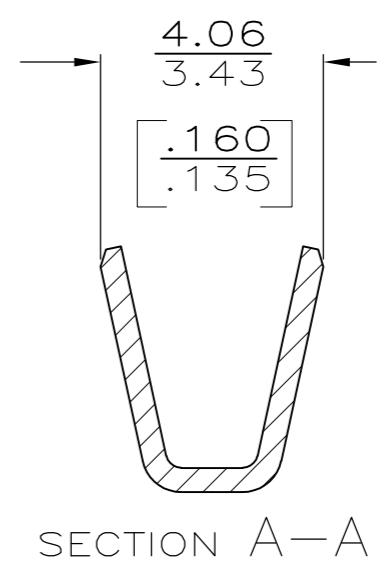
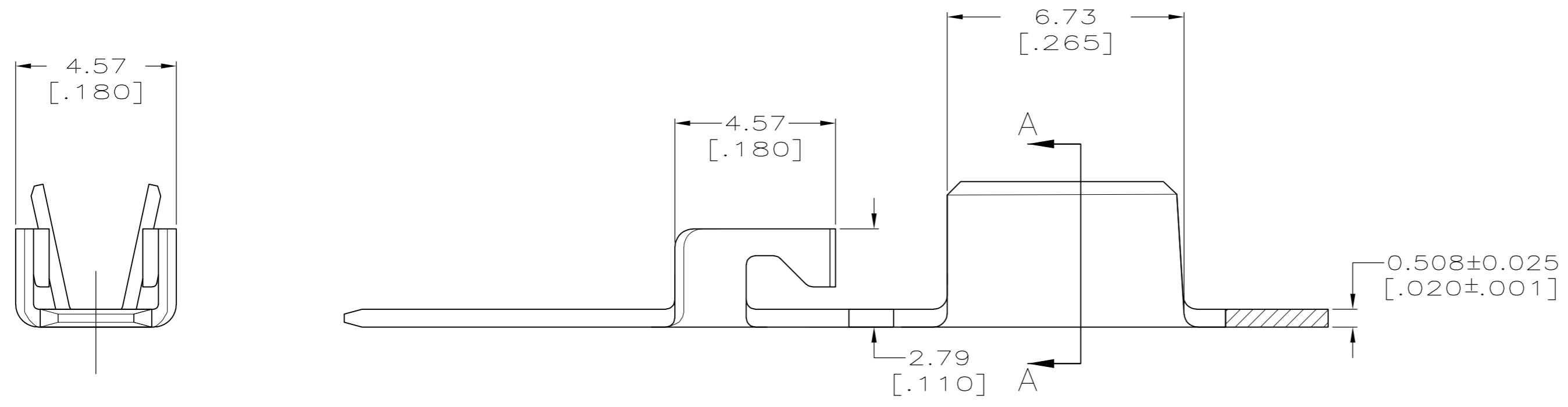


THIS DRAWING IS UNPUBLISHED. RELEASED FOR PUBLICATION  
 © COPYRIGHT - By - ALL RIGHTS RESERVED.

LOC		DIST		REVISIONS			
P	LTR	DESCRIPTION		DATE	DWN	APVD	
AF	50	F	REVISE PER ECR-13-013738	28AUG14	GRZ	JL	



1 CONTINUOUS STRIP ON REEL.



SECTION B-B  
SCALE 20:1

1500-5000 CMA	1217073-1
WIRE RANGE	Part Number

THIS DRAWING IS A CONTROLLED DOCUMENT.		DWN	JR RUTH	3/10/98	 TE Connectivity		
DIMENSIONS: INCHES		CHK	P FORTNEY	3/10/98			
TOLERANCES UNLESS OTHERWISE SPECIFIED:		APVD	DON DECKER	3/10/98			
0 PLC ± - 1 PLC ± - 2 PLC ± 0.25 [.010] 3 PLC ± - 4 PLC ± - ANGLES ± -		PRODUCT SPEC	D BRATINA	3/10/98			
MATERIAL	BRASS	FINISH	0.002032 [.000080] MIN TIN PL PER MIL-T-10727		NAME	CONTACT, 3.18 [.125] BLADE,AMPLIVAR	
WEIGHT		-		SIZE	A2	CAGE CODE	00779
CUSTOMER DRAWING		SCALE		8:1	DRAWING NO		1217073
RESTRICTED TO		-		SHEET		1 of 1	REV
SCALE		8:1		SHEET		1 of 1	REV
REV		F					

CUSTOMER DRAWING

单击下面可查看定价，库存，交付和生命周期等信息

[>>TE Connectivity\(泰科\)](#)