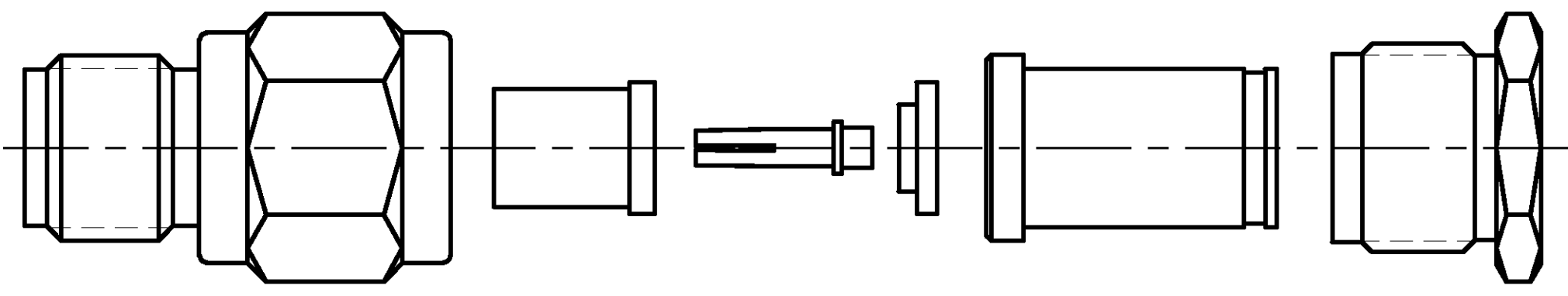


THIS DRAWING IS UNPUBLISHED. RELEASED FOR PUBLICATION N/A, N/A  
 © COPYRIGHT N/A BY TYCO ELECTRONICS CORPORATION. ALL RIGHTS RESERVED.

LOC	DIST	REVISIONS			
P	LTR	DESCRIPTION	DATE	DWN	APVD
DF	XO	O	RELEASED	11-02	JMK JL

COMPONENT	MATERIAL	FINISH
HOUSING CLAMP NUT	STAINLESS STEEL PER ASTM-A-484 OR ASTM-A-582 TYPE 303	PASSIVATED PER ASTM-A-380
DIELECTRIC	PTFE FLUOROCARBON PER ASTM-D-1457	-
INNER SLEEVE	BRASS PER ASTM-B-16 HALF HARD	GOLD PLATED PER ASTM-B-488
CENTER CONTACT	BERYLLIUM COPPER PER ASTM-B-194 ALLOY C17200, CONDITION H	GOLD PLATED PER ASTM-B-488
-	-	-
-	-	-
-	-	-
-	-	-
-	-	-
-	-	-



AS SHIPPED TO CUSTOMER

**ENVIRONMENTAL**

TEMPERATURE RATING: -65°C TO +165°C  
 VIBRATION: MIL-STD-202, METHOD 204, CONDITION D  
 SHOCK: MIL-STD-202, METHOD 213, CONDITION 1  
 MOISTURE RESISTANCE: MIL-STD-202, METHOD 106  
 CORROSION: MIL-STD-202, METHOD 101, CONDITION B. 5% SALT SPRAY  
 THERMAL SHOCK: MIL-STD-202, METHOD 107, CONDITION B EXCEPT HIGH TEMP 115°C

**MECHANICAL**

INTERFACE DIMENSIONS: MIL-STD-348A FIG. 310.2  
 RECOMMENDED MATING TORQUE: 7-10 IN-LBS  
 FORCE TO ENGAGE & DISENGAGE (IN-LBS MAX): 2.0  
 WEIGHT (GRAMS): TBD

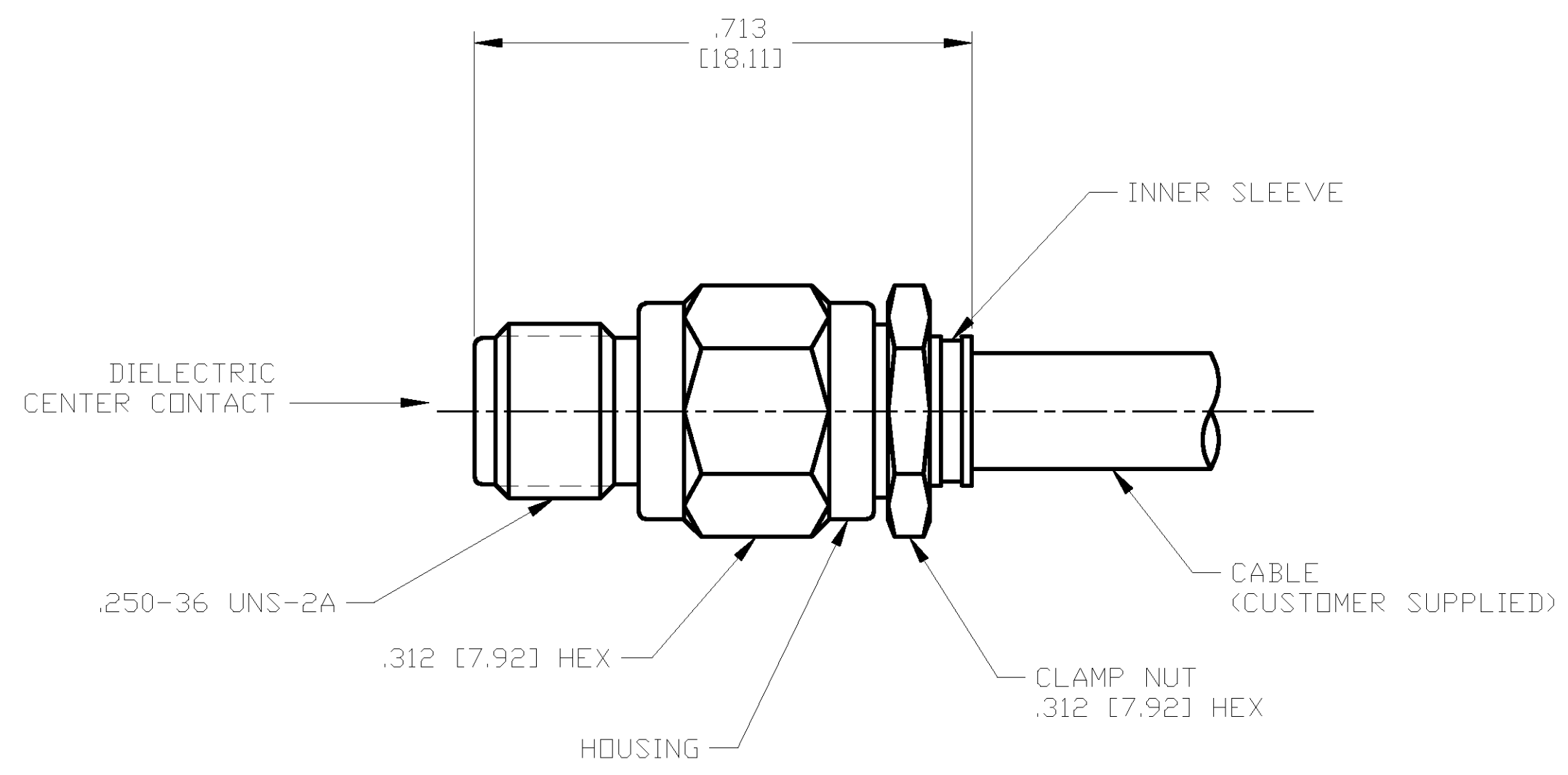
MATING CHARACTERISTICS: INSERTION (MAX LBS) 2  
 WITHDRAWAL (MIN OZ): 1

CABLE RETENTION: AXIAL FORCE (LBS) 60 MIN  
 TORQUE (IN-OZ): 55.0

CENTER CONTACT CAPTIVATION: AXIAL (LBS): 6.0  
 RADIAL (IN-OZ): N/A

**ELECTRICAL**

NORMAL IMPEDANCE (OHMS): 50  
 FREQUENCY RANGE (GHz): DC TO 18  
 VOLT RATING @ SEA LEVEL (VRMS MAX): 500  
 VSWR: 1.05+0.01f(GHz)  
 INSERTION LOSS: (dB MAX): .03 √f(GHz)  
 RF LEAKAGE (dB MIN): -90 @ 2-3 GHz  
 CORONA 70,000 FT (VRMS MIN): 375  
 DIELECTRIC WITHSTANDING VOLTAGE (VRMS MIN) AT SEA LEVEL: 1500  
 I.R. (MEGOHMS MIN): 5,000  
 RF HIGH POTENTIAL AT SEA LEVEL (VRMS MIN @ 5 MHz): 1000  
 CONTACT RESISTANCE (MILLIOHMS MAX):  
 CENTER CONTACT: 3.0  
 OUTER CONTACT: 2.0  
 CABLE TO HOUSING: 0.5



ASSEMBLED VIEW

DESIGNED TO USE RG-402/U OR EQUIVALENT CABLE ENTRY DIAMETER MIN

HOUSING:	N/A
CONTACT:	.040 [1.02]
CLAMP NUT:	N/A
SLEEVE:	.145 [3.68]
-	-

THIS DRAWING IS A CONTROLLED DOCUMENT.

DIMENSIONS:	TOLERANCES UNLESS OTHERWISE SPECIFIED:
INCHES [mm]	
0 PLC	± -
1 PLC	± -
2 PLC	± -
3 PLC	± .005 [0.13]
4 PLC	± -
ANGLES	± -
MATERIAL	FINISH
SEE TABLE	SEE TABLE

DWN	J. KAISER	10/09/02	Tyco Electronics Corporation Harrisburg, PA 17105
CHK	J. LIPPERT	11-20-02	
APVD	J. LIPPERT	11-20-02	
PRODUCT SPEC	NAME		
APPLICATION SPEC			SMA STRAIGHT CABLE JACK-SOLDER CLAMP ATTACHMENT (M39012/81-3008) CAT E
WEIGHT	TBD	408-4837	RESTRICTED TO
CUSTOMER DRAWING	SCALE	5:1	SHEET 1 OF 1

1050931-1  
PART NO.

单击下面可查看定价，库存，交付和生命周期等信息

[>>TE Connectivity\(泰科\)](#)