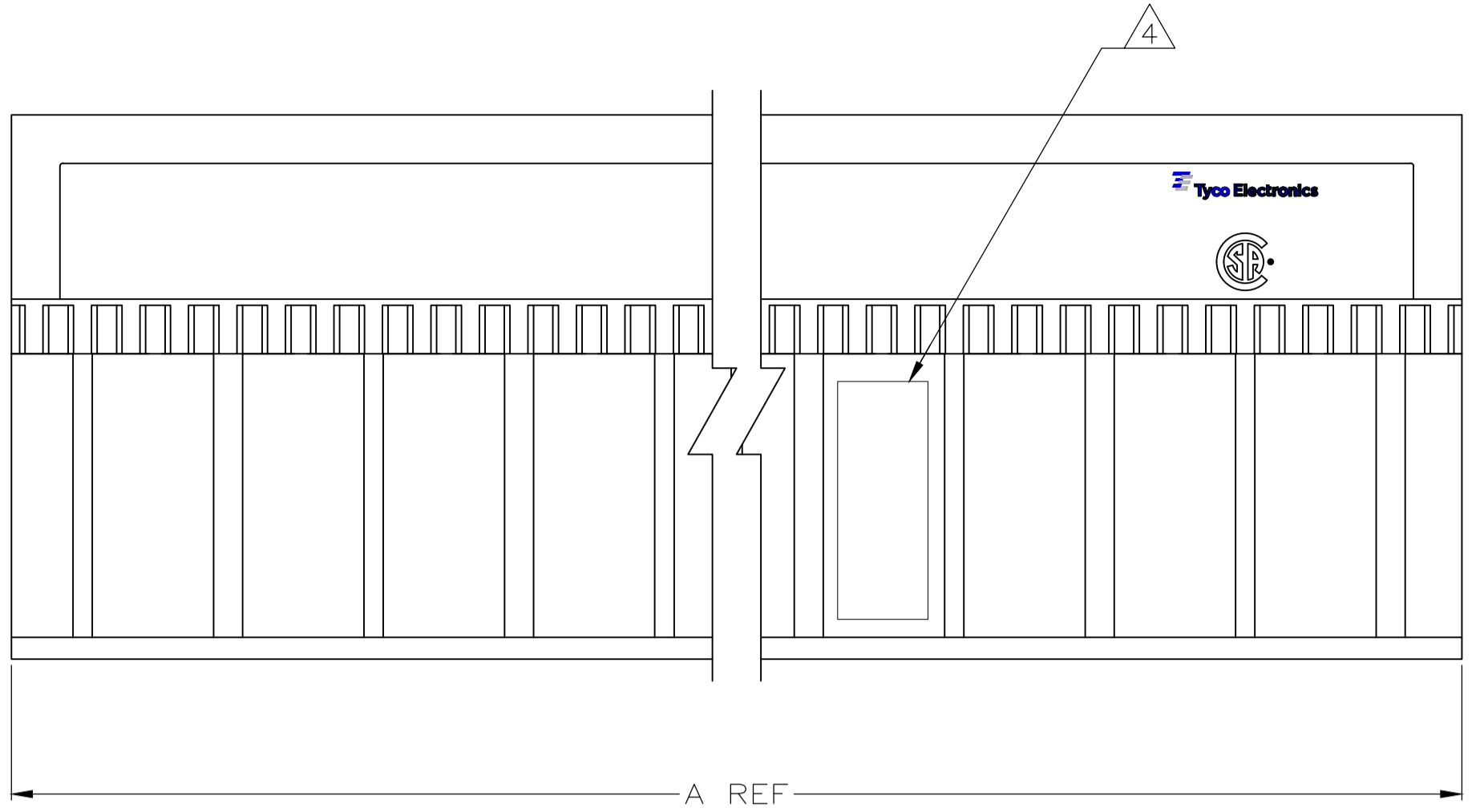
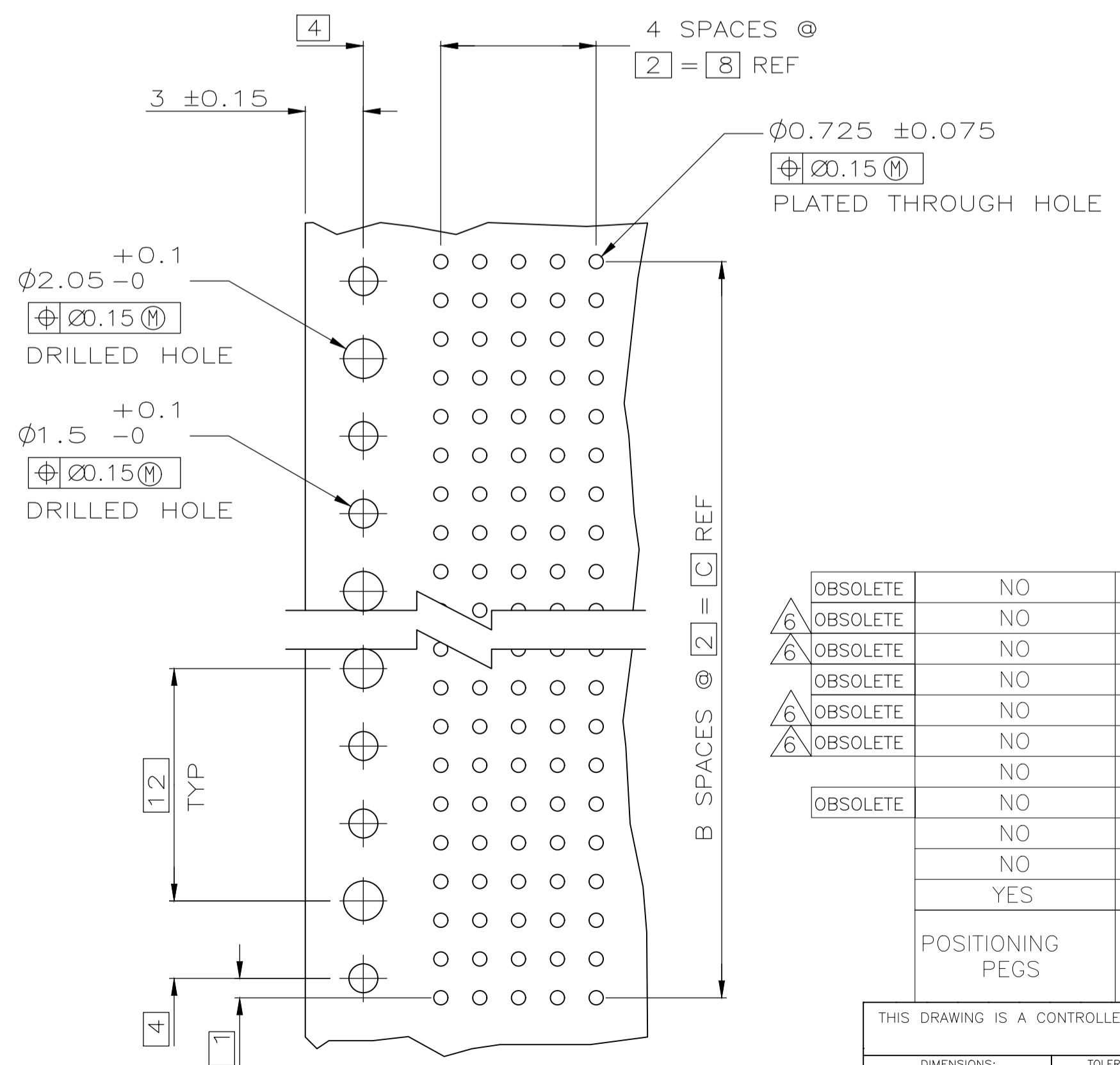
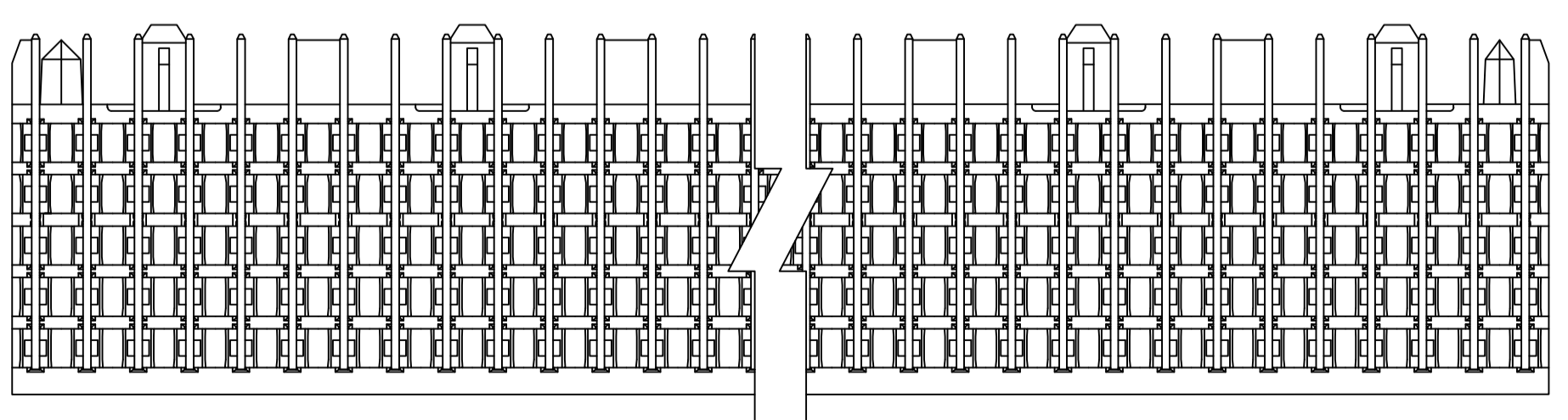
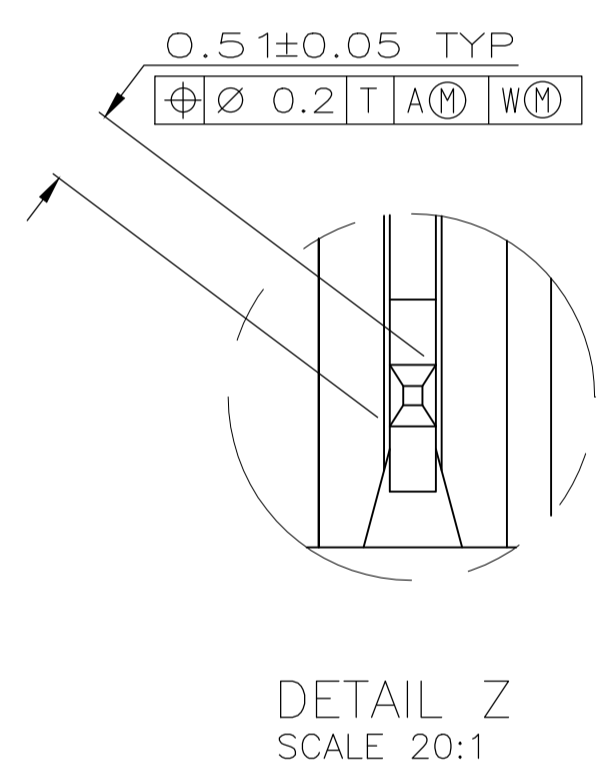
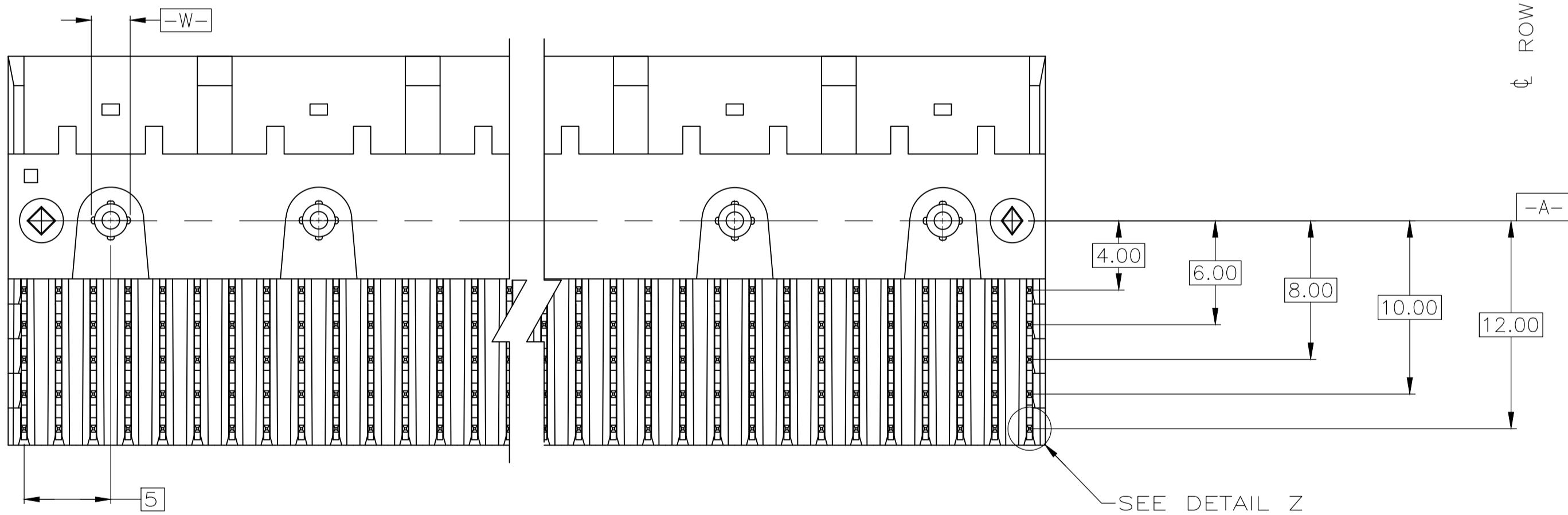
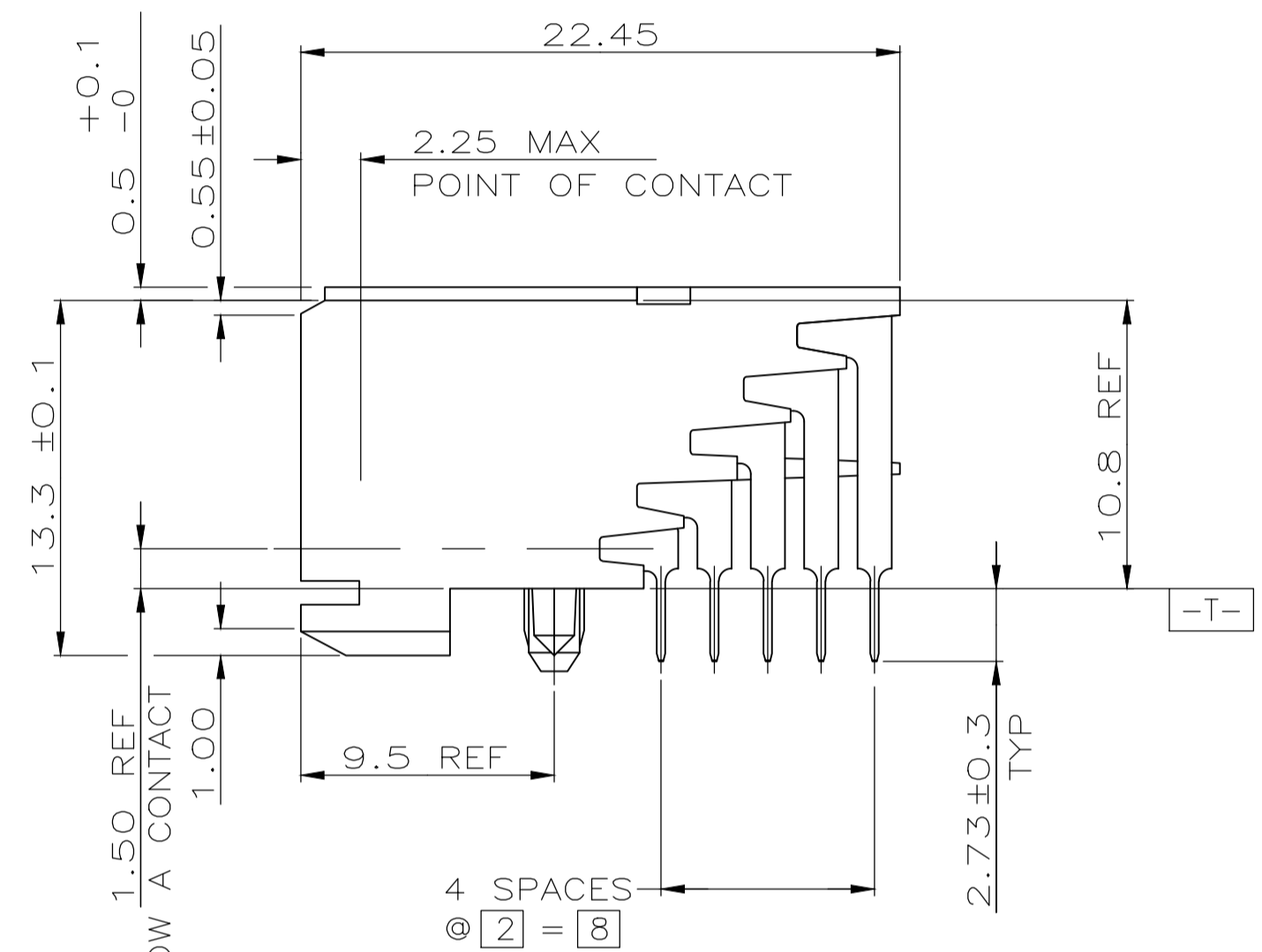
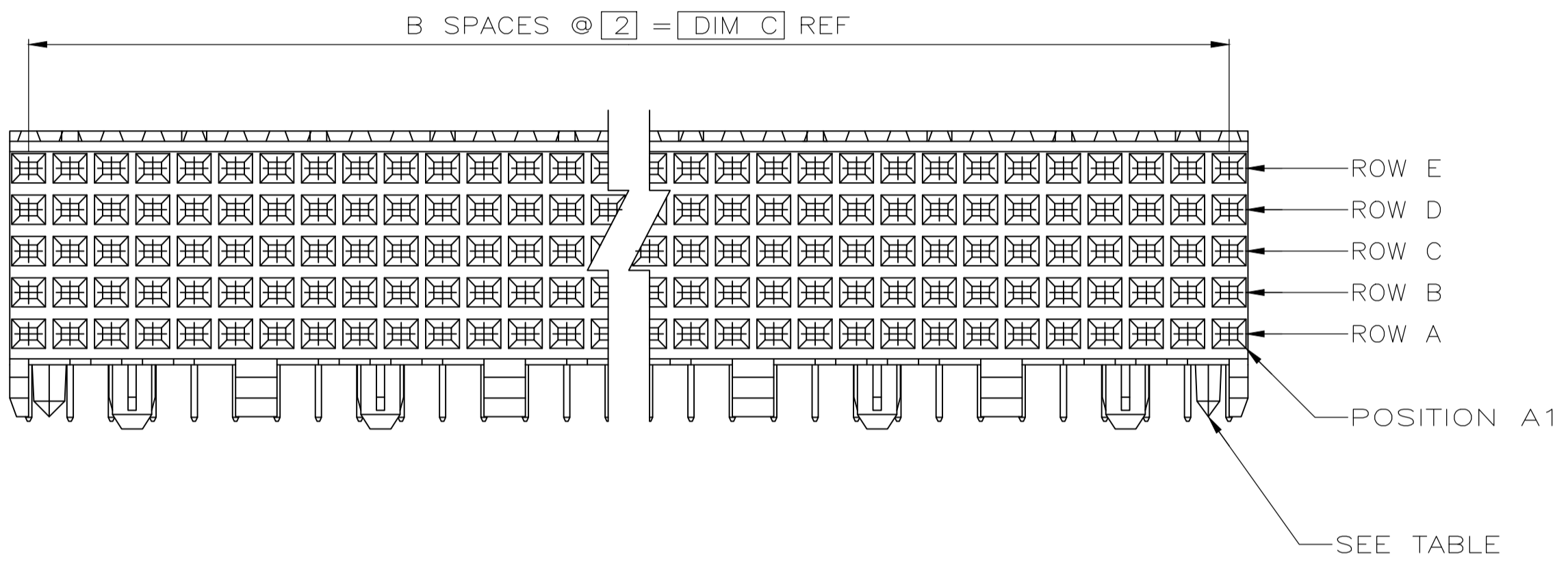


| REVISIONS | | | | | |
|-----------|-----|---------------------------|-----------|-----|------|
| P | LTR | DESCRIPTION | DATE | DMN | APVD |
| M3 | | REVISED PER ECO-20-013368 | 28SEP2020 | RZ | HL |



- ① HOUSING MATERIAL: LIQUID CRYSTAL POLYMER
COLOR: NATURAL.
- ② CONTACT MATERIAL: PHOSPHOR-BRONZE.
- ③ CONTACT FINISH:
UNDERPLATE (ENTIRE CONTACT):
0.00127 MIN NICKEL.
ON MATING SURFACES:
CONFORMS TO ALL TESTING SPECIFIED FOR TELCORDIA
UNCONTROLLED ENVIRONMENT.
ON LEADS
0.00381 MIN TIN-LEAD OVER UNDERPLATE.
LUBRICATION (ENTIRE CONTACT):
SURFACE CONDITIONER PER AMP SPEC 112-1002 AFTER PLATING.
- ④ PART MARKING LOCATED APPROXIMATELY AS SHOWN.
- ⑥ OBSOLETE PARTS: OBSOLETE CIS STREAMLINING PER D.RENAUD/D.SINISI



| OBSOLETE | NO | 130 | 65 | 131.88 | ③ | 330 | 1-223004-1 | |
|------------------|----------|-----|-----|--------|-------------------|-------------|------------|------------|
| ⑥ | OBSOLETE | NO | 118 | 59 | 119.88 | ③ ③ | 300 | 1-223004-0 |
| ⑥ | OBSOLETE | NO | 106 | 53 | 107.88 | ③ | 270 | 223004-9 |
| ⑥ | OBSOLETE | NO | 94 | 47 | 95.88 | ③ ③ | 240 | 223004-8 |
| ⑥ | OBSOLETE | NO | 82 | 41 | 83.88 | ③ | 210 | 223004-7 |
| ⑥ | OBSOLETE | NO | 70 | 35 | 71.88 | ③ ③ | 180 | 223004-6 |
| | | NO | 58 | 29 | 59.88 | ③ | 150 | 223004-5 |
| | OBSOLETE | NO | 46 | 23 | 47.88 | ③ ③ | 120 | 223004-4 |
| | | NO | 34 | 17 | 35.88 | ③ | 90 | 223004-3 |
| | | NO | 22 | 11 | 23.88 | ③ ③ | 60 | 223004-2 |
| | | YES | 10 | 3 | 11.88 | ③ | 30 | 223004-1 |
| POSITIONING PEGS | C | B | A | FINISH | NO OF SIGNAL POSN | PART NUMBER | | |

RECOMMENDED CIRCUIT PATTERN PER IPC-D300 TYPE II, CLASS C (COMPONENT SIDE)

THIS DRAWING IS A CONTROLLED DOCUMENT.

| | | | |
|---|---|---|--|
| DIMENSIONS: mm 0. PLC ± - 1. PLC ± - 2. PLC ± 0.13 3. PLC ± - 4. PLC ± - ANGLES ± - | TOLERANCES UNLESS OTHERWISE SPECIFIED: 0. PLC ± - 1. PLC ± - 2. PLC ± 0.13 3. PLC ± - 4. PLC ± - ANGLES ± - | DIN R. BUCHHEISTER 07/FEB/96 CHK D. BAECHTLE 08/FEB/96 APVD D. SINISI 08/FEB/96 NAME ASSEMBLY, RECEPTACLE, SIGNAL, RIGHT ANGLE, Z-PACK 2mm FB, 5 ROW, SOLDER LEAD PRODUCT SPEC APPLICATION SPEC SIZE CAGE CODE DRAWING NO. A1 00779 C=223004 WEIGHT 0.000000 CUSTOMER DRAWING | TE Connectivity SCALE 4:1 SHEET 1 OF 1 REV M3 |
|---|---|---|--|

单击下面可查看定价，库存，交付和生命周期等信息

[>>TE Connectivity\(泰科\)](#)