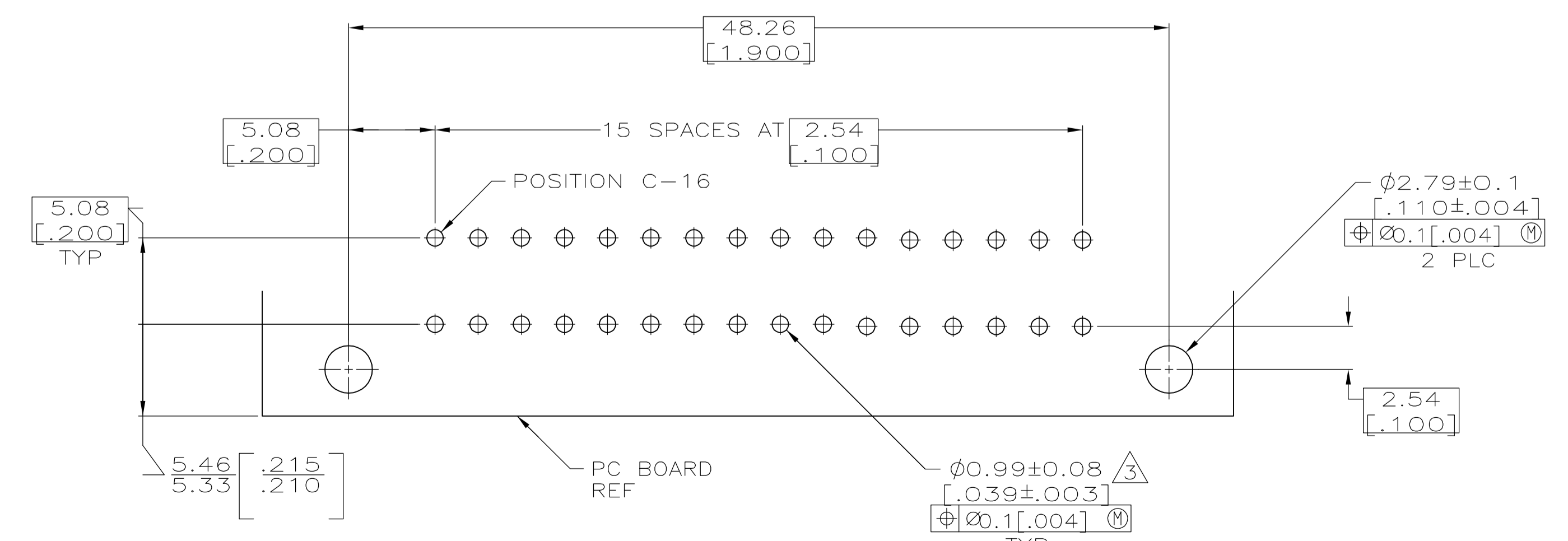
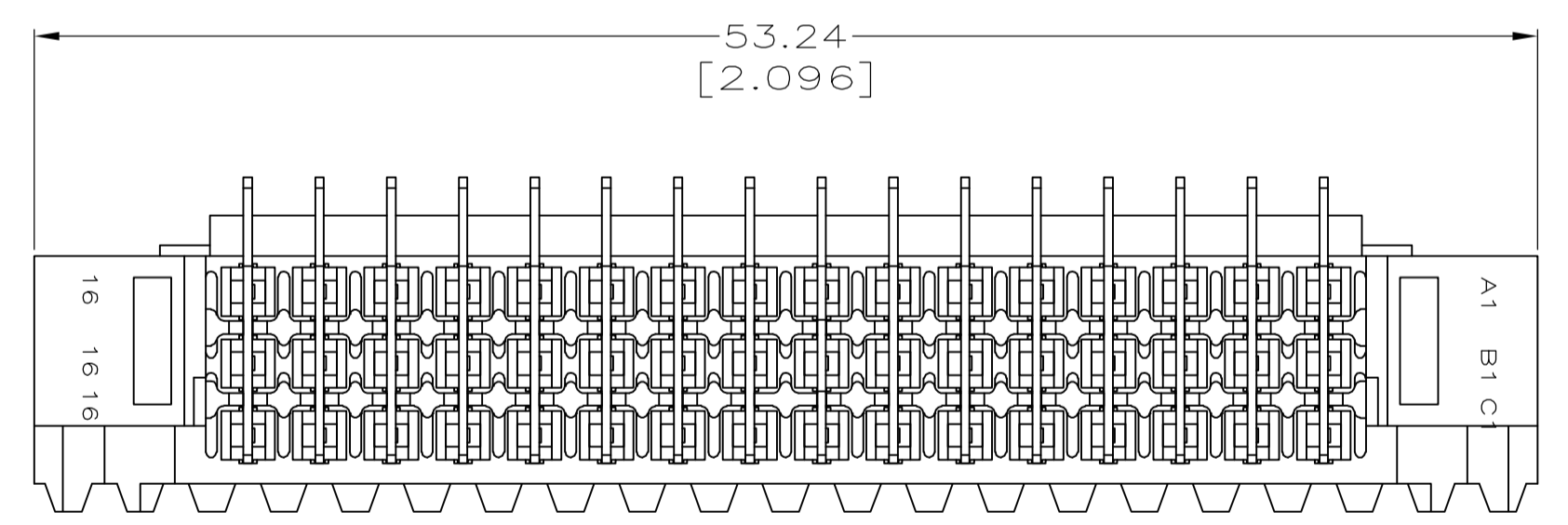
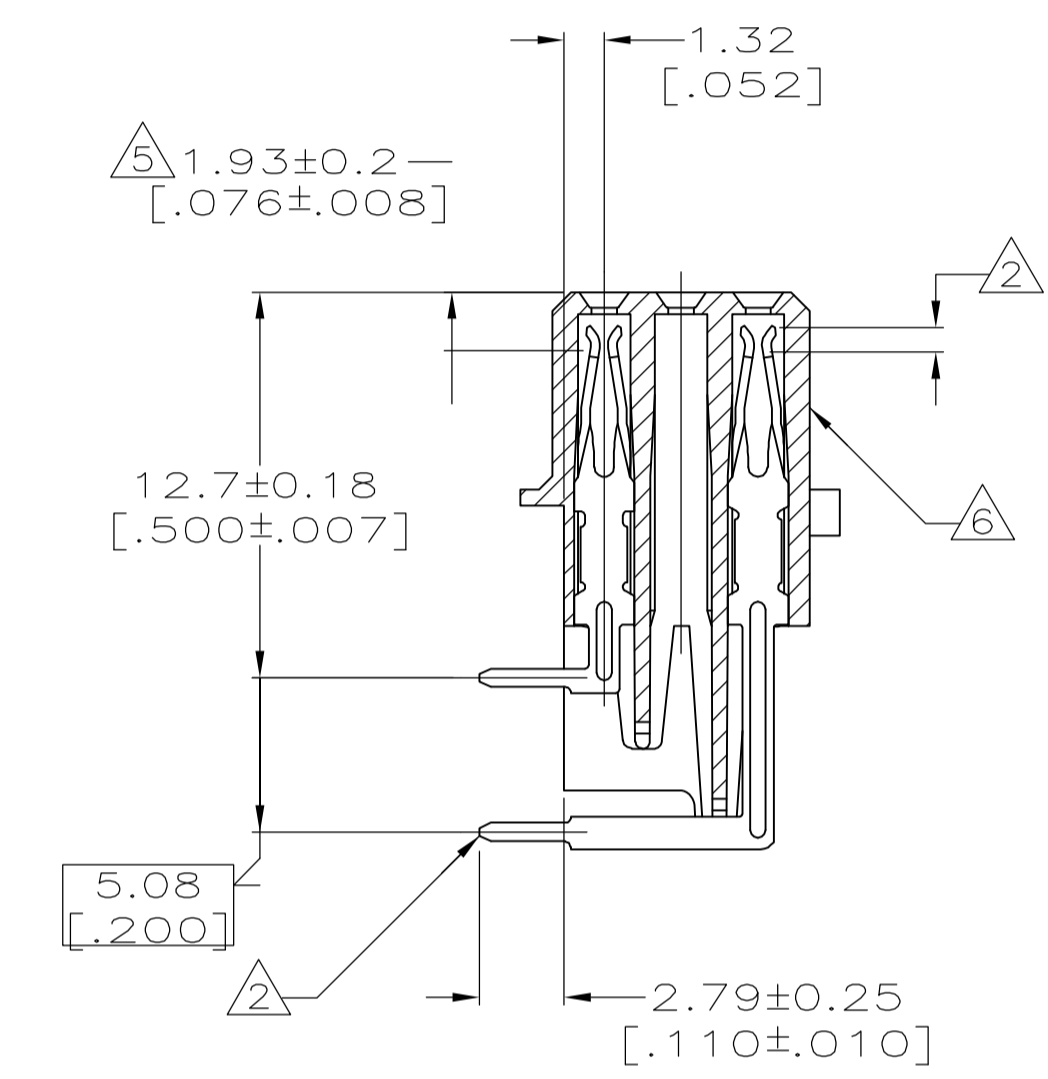
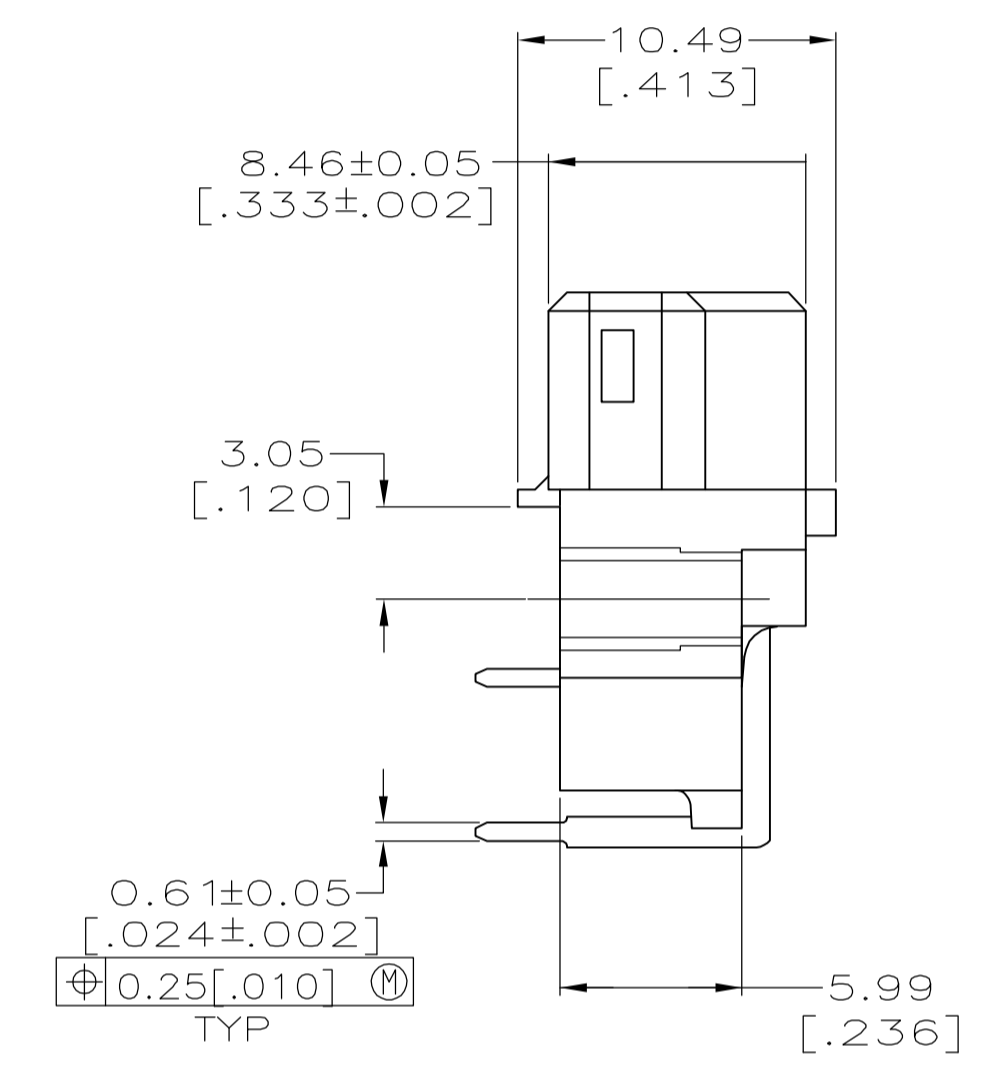
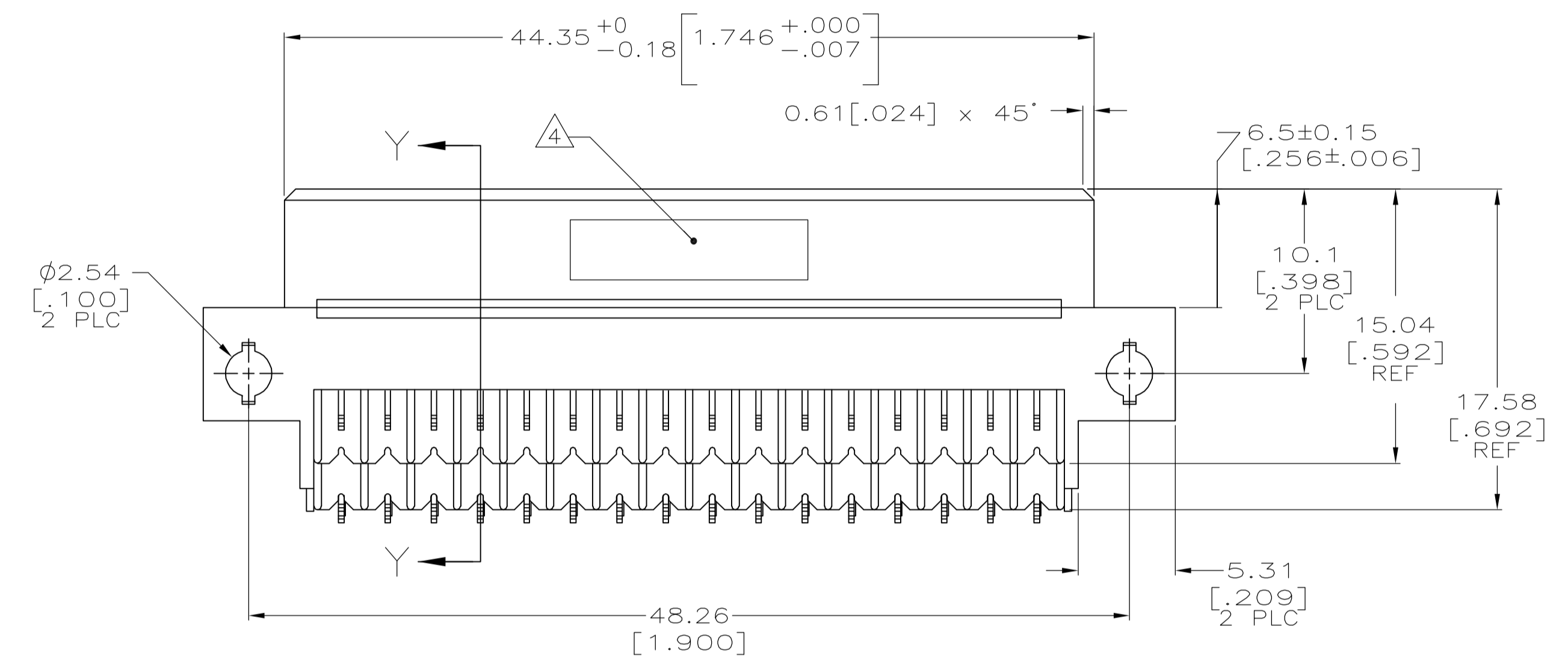


- △ HOUSING MATERIAL: HIGH TEMPERATURE, GLASS-FILLED POLYMER. COLOR: GRAY OR WHITE. CONTACT: PHOSPHOR BRONZE.
- △ CONTACT: DIN 41612 CLASS 2 IN CONTACT AREA, TIN LEAD ON POSTS.
- △ RECOMMENDED HOLE SIZE FOR MANUAL APPLICATION OF CONNECTOR ONTO PC BOARD.
- △ PART NUMBER, DATE CODE IDENTIFICATION, CSA LOGO HOT-STAMPED THIS APPROXIMATE AREA.
- △ CONTACT POINT.
- △ HOT-STAMPING ON THIS SIDE.



1 THRU 16	X	-	X	32	148526-5
POSITIONS LOADED	C	B	A	NO. OF LOADED POSITION	PART NUMBER
THIS DRAWING IS A CONTROLLED DOCUMENT.				DIN B CARBO 05 APR 99	Tyco Electronics Corporation Harrisburg, PA 17105-3608
DIMENSIONS: mm [INCHES]				CHK C RICHARD 05 APR 99	
TOLERANCES UNLESS OTHERWISE SPECIFIED:				APVD C RICHARD 05 APR 99	RECEPTACLE ASSEMBLY, EUROCARD, TYPE 1/2R, 32 POSITION, HIGH TEMPERATURE
0 PLC ± -				PRODUCT SPEC	
1 PLC ± -				APPLICATION SPEC	SIZE
2 PLC ± 0.13 [.005]				WEIGHT	A1 00779 C=148526
3 PLC ± -				CUSTOMER DRAWING	SCALE 4:1 SHEET 1 OF 1 REV A
4 PLC ± -					
ANGLES ± -					
MATERIAL 1					
FINISH 2					

单击下面可查看定价，库存，交付和生命周期等信息

[>>TE Connectivity\(泰科\)](#)