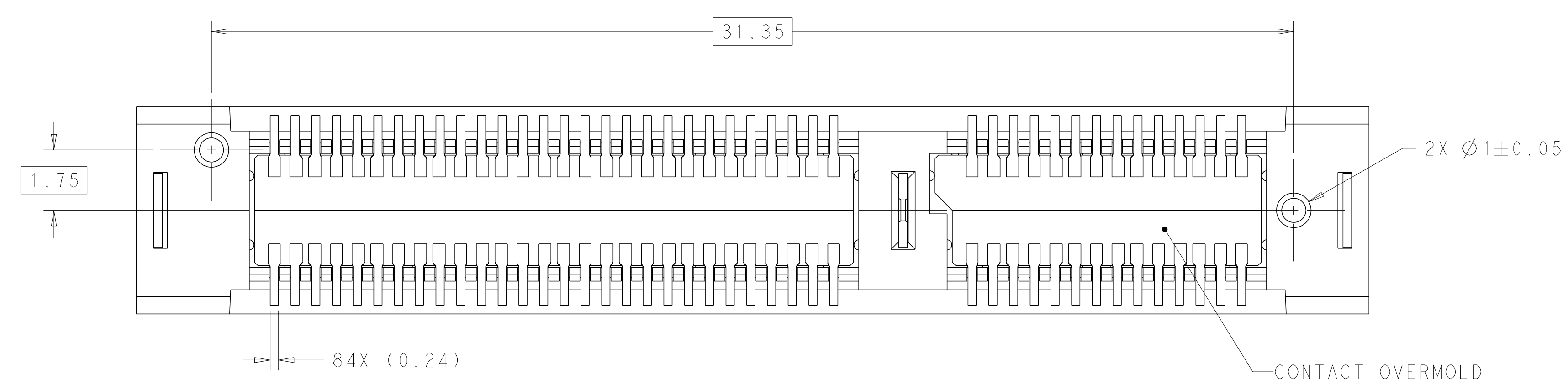
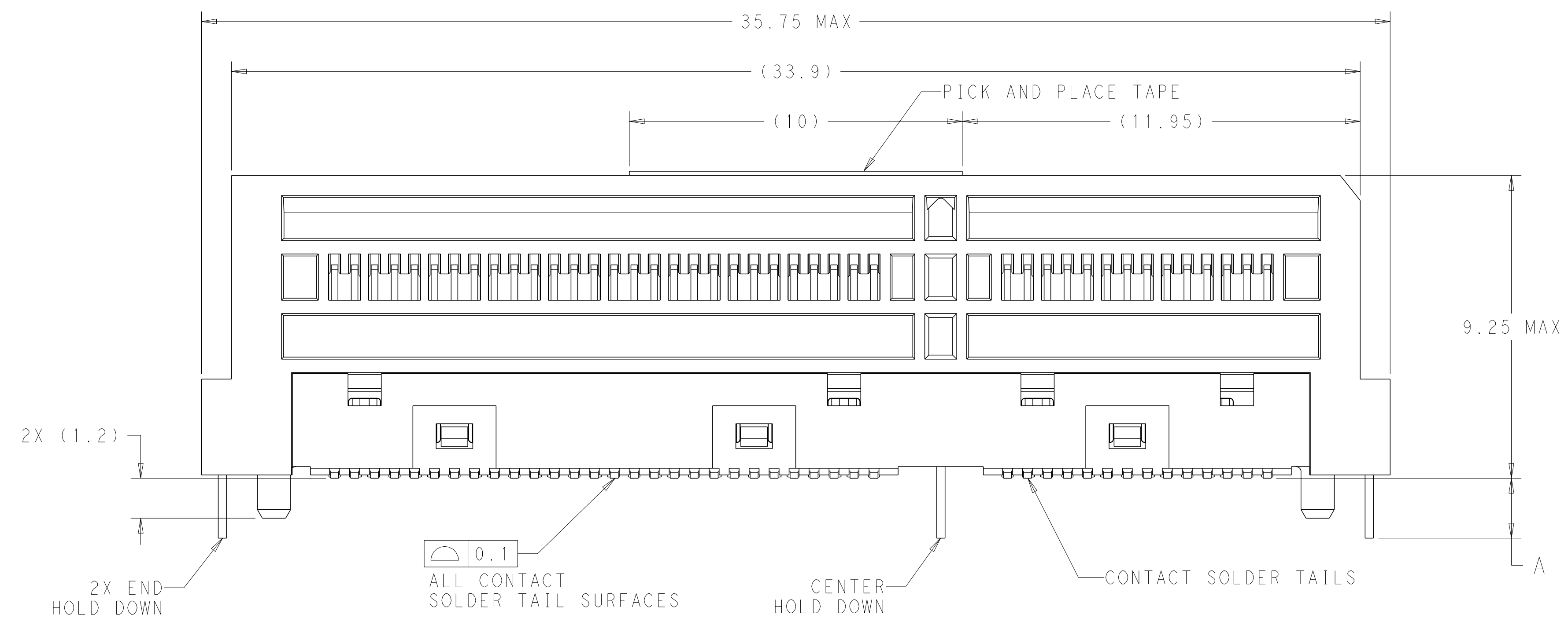
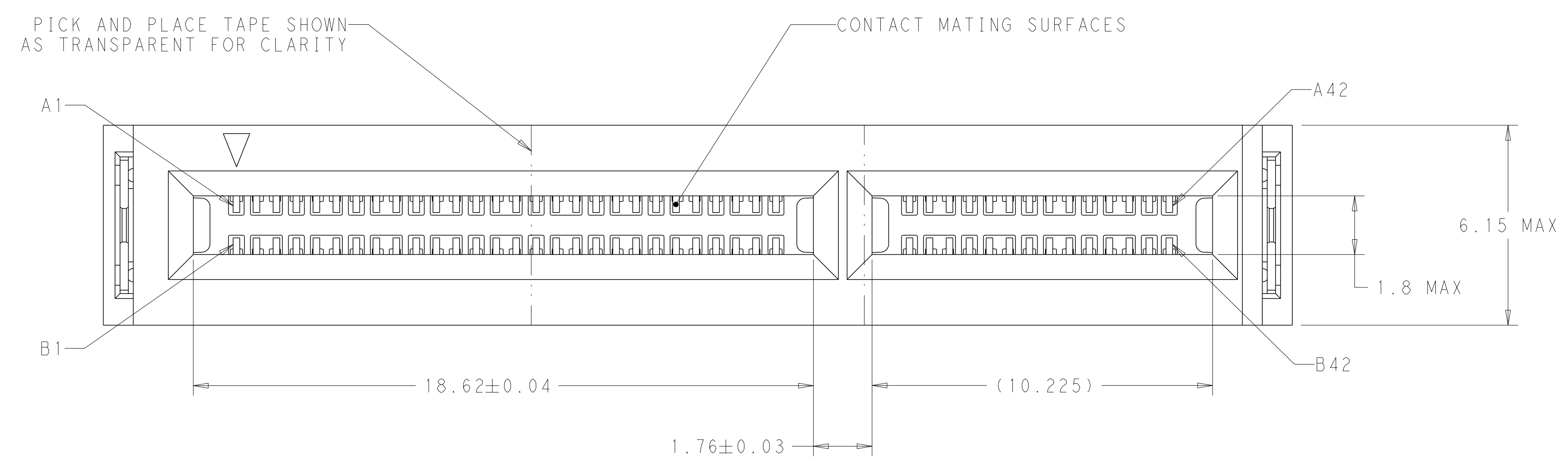
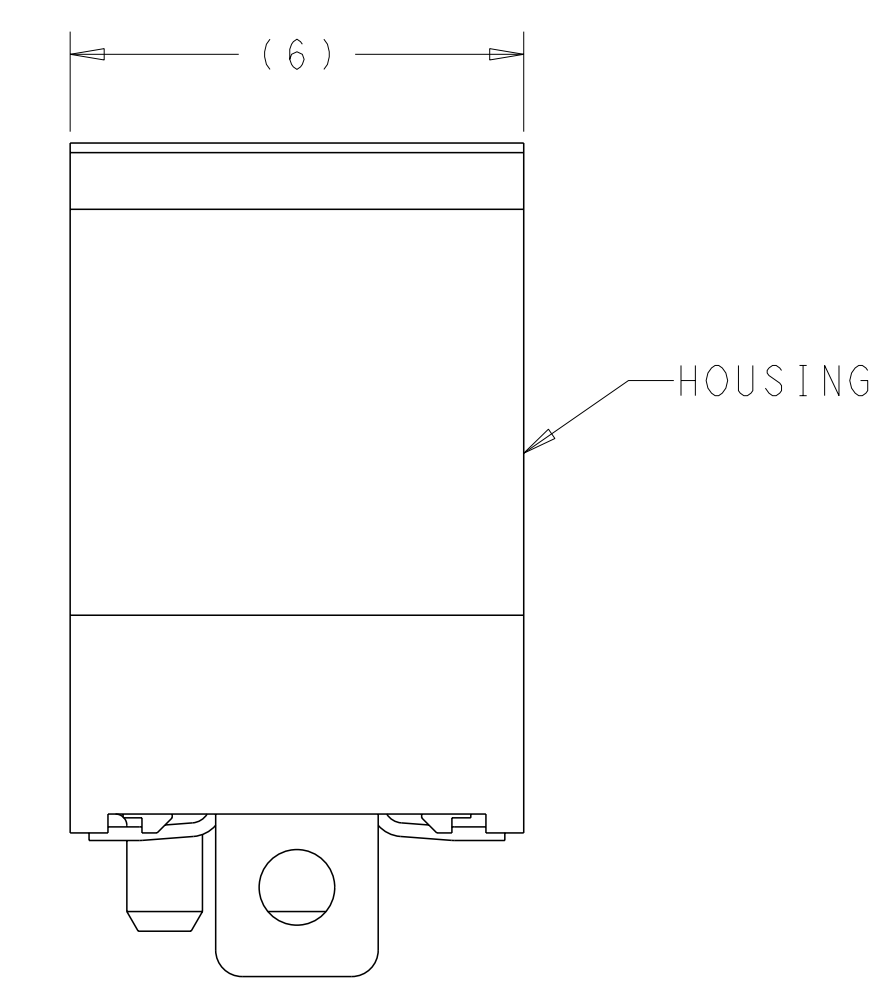


REVISIONS					
#	LY#	DESCRIPTION	DATE	OWN	APVD
A		RELEASED	17MAY2019	CJV	JW
B		REVISED PER ECO-19-011736	07AUG2019	AP	JW
C		REVISED PER ECO-20-015351	28OCT2020	TX	DZ



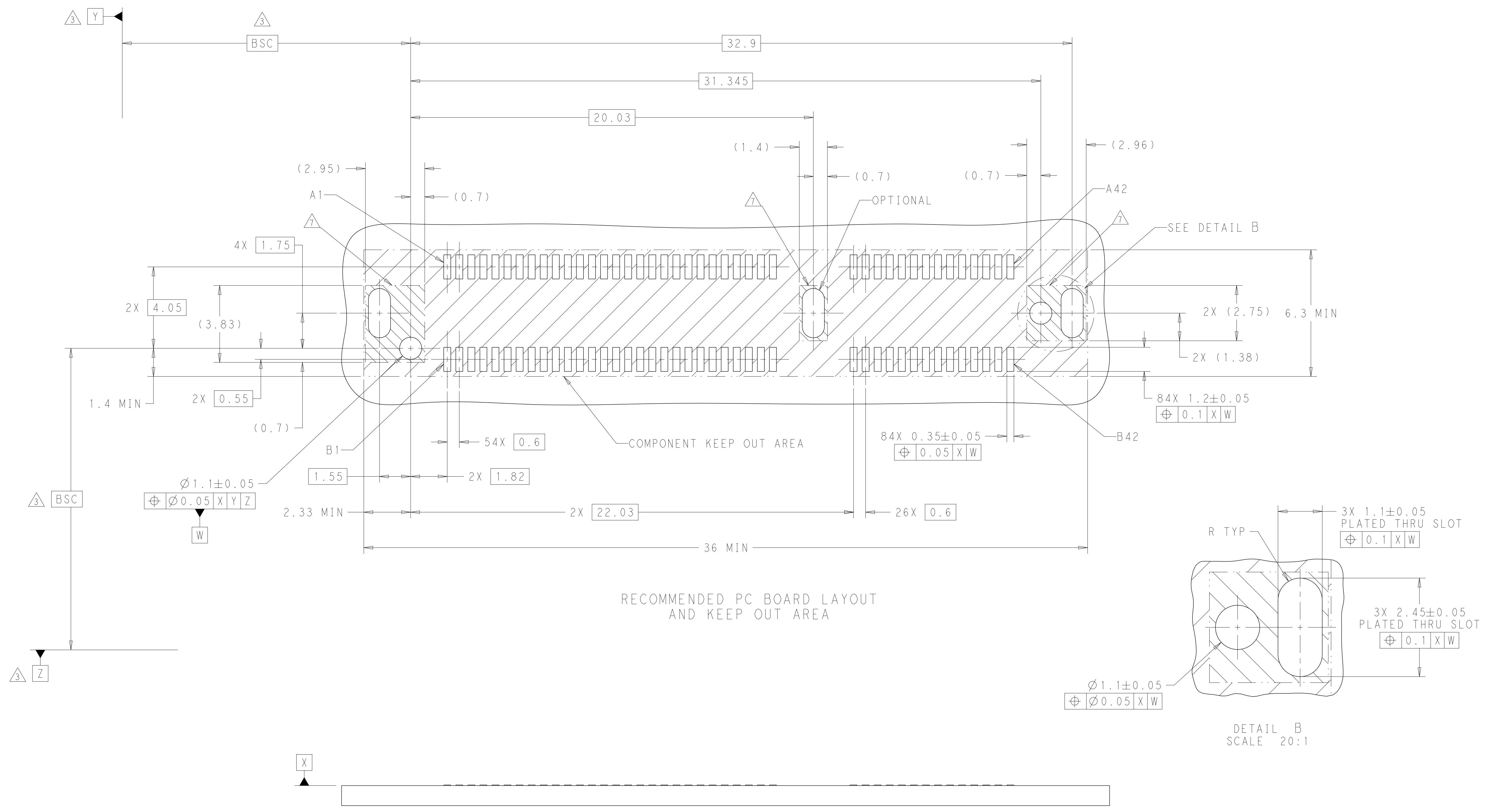
- ⚠ HOUSING AND CONTACT OVERMOLDS - LCP, UL94-V0, BLACK. CONTACTS AND HOLD DOWNS - COPPER ALLOY. PICK AND PLACE TAPE - POLYIMIDE FILM.
- ⚠ CONTACTS - GOLD PLATE ON MATING SURFACES, TIN PLATE ON SOLDER FEET. HOLD DOWNS - TIN PLATE.
- ⚠ DATUMS AND BASIC DIMENSIONS ESTABLISHED BY CUSTOMER.
- 4. MINIMUM HOST PCB THICKNESS: 1.5.
- ⚠ SEE MSA SPECIFICATION FOR ADDITIONAL PADDLE CARD LAYOUTS COMPATIBLE WITH THIS RECEPTACLE AND FOR OPTIONAL SPLIT CONTACT PAD LAYOUTS FOR THE PADDLE CARD. SPECIFICATION PINOUT MAY ALSO DESIGNATE PAD SEQUENCE DIFFERENT FROM ILLUSTRATION.
- ⚠ POSITIONS DESIGNATED AS "SIGNAL" ARE REQUIRED LOCATIONS FOR HIGH SPEED DIFFERENTIAL PAIR SIGNALING. THESE LOCATIONS MAY ALSO BE USED FOR SUPPORTING SIDEBAND SIGNALS OR OTHER UTILITY PURPOSES. POSITIONS DESIGNATED AS "GROUND" ARE REQUIRED WHEN SUPPORTING HIGH SPEED DIFFERENTIAL SIGNALS. THESE LOCATIONS MAY ALSO BE USED FOR SIDEBAND SIGNALS OR OTHER UTILITY PURPOSES.
- ⚠ COMPONENT AND TRACE KEEP OUT AREA. EACH EDGE 0.15 MIN FROM EDGE OF HOLE.
- ⚠ TAPE AND REEL PACKAGED FOR PICK AND PLACE SMT PROCESSING, SEE FIGURE 1. POCKET TAPE WIDTH = 56.



SEE SHEET 4 FOR PART TABLE

THIS DRAWING IS A CONTROLLED DOCUMENT.		OWN: C. VALENTINE 16 JAN 2018	 TE Connectivity	NAME: RECEPTACLE ASSEMBLY, VERTICAL, 84 POSITION, SLIVER 2.0	
DIMENSIONS: mm		CHK: D. HARMON 16 JAN 2018		APVD: D. HARMON 16 JAN 2018	SIZE: A1
TOLERANCES UNLESS OTHERWISE SPECIFIED:		0 PLC ±	1 PLC ±	2 PLC ±	3 PLC ±
		4 PLC ±	5 PLC ±	6 PLC ±	7 PLC ±
		8 PLC ±	9 PLC ±	10 PLC ±	11 PLC ±
		12 PLC ±	13 PLC ±	14 PLC ±	15 PLC ±
		16 PLC ±	17 PLC ±	18 PLC ±	19 PLC ±
		20 PLC ±	21 PLC ±	22 PLC ±	23 PLC ±
		24 PLC ±	25 PLC ±	26 PLC ±	27 PLC ±
		28 PLC ±	29 PLC ±	30 PLC ±	31 PLC ±
		32 PLC ±	33 PLC ±	34 PLC ±	35 PLC ±
		36 PLC ±	37 PLC ±	38 PLC ±	39 PLC ±
		40 PLC ±	41 PLC ±	42 PLC ±	43 PLC ±
		44 PLC ±	45 PLC ±	46 PLC ±	47 PLC ±
		48 PLC ±	49 PLC ±	50 PLC ±	51 PLC ±
		52 PLC ±	53 PLC ±	54 PLC ±	55 PLC ±
		56 PLC ±	57 PLC ±	58 PLC ±	59 PLC ±
		60 PLC ±	61 PLC ±	62 PLC ±	63 PLC ±
		64 PLC ±	65 PLC ±	66 PLC ±	67 PLC ±
		68 PLC ±	69 PLC ±	70 PLC ±	71 PLC ±
		72 PLC ±	73 PLC ±	74 PLC ±	75 PLC ±
		76 PLC ±	77 PLC ±	78 PLC ±	79 PLC ±
		80 PLC ±	81 PLC ±	82 PLC ±	83 PLC ±
		84 PLC ±	85 PLC ±	86 PLC ±	87 PLC ±
		88 PLC ±	89 PLC ±	90 PLC ±	91 PLC ±
		92 PLC ±	93 PLC ±	94 PLC ±	95 PLC ±
		96 PLC ±	97 PLC ±	98 PLC ±	99 PLC ±
		100 PLC ±	101 PLC ±	102 PLC ±	103 PLC ±
		104 PLC ±	105 PLC ±	106 PLC ±	107 PLC ±
		108 PLC ±	109 PLC ±	110 PLC ±	111 PLC ±
		112 PLC ±	113 PLC ±	114 PLC ±	115 PLC ±
		116 PLC ±	117 PLC ±	118 PLC ±	119 PLC ±
		120 PLC ±	121 PLC ±	122 PLC ±	123 PLC ±
		124 PLC ±	125 PLC ±	126 PLC ±	127 PLC ±
		128 PLC ±	129 PLC ±	130 PLC ±	131 PLC ±
		132 PLC ±	133 PLC ±	134 PLC ±	135 PLC ±
		136 PLC ±	137 PLC ±	138 PLC ±	139 PLC ±
		140 PLC ±	141 PLC ±	142 PLC ±	143 PLC ±
		144 PLC ±	145 PLC ±	146 PLC ±	147 PLC ±
		148 PLC ±	149 PLC ±	150 PLC ±	151 PLC ±
		152 PLC ±	153 PLC ±	154 PLC ±	155 PLC ±
		156 PLC ±	157 PLC ±	158 PLC ±	159 PLC ±
		160 PLC ±	161 PLC ±	162 PLC ±	163 PLC ±
		164 PLC ±	165 PLC ±	166 PLC ±	167 PLC ±
		168 PLC ±	169 PLC ±	170 PLC ±	171 PLC ±
		172 PLC ±	173 PLC ±	174 PLC ±	175 PLC ±
		176 PLC ±	177 PLC ±	178 PLC ±	179 PLC ±
		180 PLC ±	181 PLC ±	182 PLC ±	183 PLC ±
		184 PLC ±	185 PLC ±	186 PLC ±	187 PLC ±
		188 PLC ±	189 PLC ±	190 PLC ±	191 PLC ±
		192 PLC ±	193 PLC ±	194 PLC ±	195 PLC ±
		196 PLC ±	197 PLC ±	198 PLC ±	199 PLC ±
		200 PLC ±	201 PLC ±	202 PLC ±	203 PLC ±
		204 PLC ±	205 PLC ±	206 PLC ±	207 PLC ±
		208 PLC ±	209 PLC ±	210 PLC ±	211 PLC ±
		212 PLC ±	213 PLC ±	214 PLC ±	215 PLC ±
		216 PLC ±	217 PLC ±	218 PLC ±	219 PLC ±
		220 PLC ±	221 PLC ±	222 PLC ±	223 PLC ±
		224 PLC ±	225 PLC ±	226 PLC ±	227 PLC ±
		228 PLC ±	229 PLC ±	230 PLC ±	231 PLC ±
		232 PLC ±	233 PLC ±	234 PLC ±	235 PLC ±
		236 PLC ±	237 PLC ±	238 PLC ±	239 PLC ±
		240 PLC ±	241 PLC ±	242 PLC ±	243 PLC ±
		244 PLC ±	245 PLC ±	246 PLC ±	247 PLC ±
		248 PLC ±	249 PLC ±	250 PLC ±	251 PLC ±
		252 PLC ±	253 PLC ±	254 PLC ±	255 PLC ±
		256 PLC ±	257 PLC ±	258 PLC ±	259 PLC ±
		260 PLC ±	261 PLC ±	262 PLC ±	263 PLC ±
		264 PLC ±	265 PLC ±	266 PLC ±	267 PLC ±
		268 PLC ±	269 PLC ±	270 PLC ±	271 PLC ±
		272 PLC ±	273 PLC ±	274 PLC ±	275 PLC ±
		276 PLC ±	277 PLC ±	278 PLC ±	279 PLC ±
		280 PLC ±	281 PLC ±	282 PLC ±	283 PLC ±
		284 PLC ±	285 PLC ±	286 PLC ±	287 PLC ±
		288 PLC ±	289 PLC ±	290 PLC ±	291 PLC ±
		292 PLC ±	293 PLC ±	294 PLC ±	295 PLC ±
		296 PLC ±	297 PLC ±	298 PLC ±	299 PLC ±
		300 PLC ±	301 PLC ±	302 PLC ±	303 PLC ±
		304 PLC ±	305 PLC ±	306 PLC ±	307 PLC ±
		308 PLC ±	309 PLC ±	310 PLC ±	311 PLC ±
		312 PLC ±	313 PLC ±	314 PLC ±	315 PLC ±
		316 PLC ±	317 PLC ±	318 PLC ±	319 PLC ±
		320 PLC ±	321 PLC ±	322 PLC ±	323 PLC ±
		324 PLC ±	325 PLC ±	326 PLC ±	327 PLC ±
		328 PLC ±	329 PLC ±	330 PLC ±	331 PLC ±
		332 PLC ±	333 PLC ±	334 PLC ±	335 PLC ±
		336 PLC ±	337 PLC ±	338 PLC ±	339 PLC ±
		340 PLC ±	341 PLC ±	342 PLC ±	343 PLC ±
		344 PLC ±	345 PLC ±	346 PLC ±	347 PLC ±
		348 PLC ±	349 PLC ±	350 PLC ±	351 PLC ±
		352 PLC ±	353 PLC ±	354 PLC ±	355 PLC ±
		356 PLC ±	357 PLC ±	358 PLC ±	359 PLC ±
		360 PLC ±	361 PLC ±	362 PLC ±	363 PLC ±
		364 PLC ±	365 PLC ±	366 PLC ±	367 PLC ±
		368 PLC ±	369 PLC ±	370 PLC ±	371 PLC ±
		372 PLC ±	373 PLC ±	374 PLC ±	375 PLC ±
		376 PLC ±	377 PLC ±	378 PLC ±	379 PLC ±
		380 PLC ±	381 PLC ±	382 PLC ±	383 PLC ±
		384 PLC ±	385 PLC ±	386 PLC ±	387 PLC ±
		388 PLC ±	389 PLC ±	390 PLC ±	391 PLC ±
		392 PLC ±	393 PLC ±	394 PLC ±	395 PLC ±
		396 PLC ±	397 PLC ±	398 PLC ±	399 PLC ±
		400 PLC ±	401 PLC ±	402 PLC ±	403 PLC ±
		404 PLC ±	405 PLC ±	406 PLC ±	407 PLC ±
		408 PLC ±	409 PLC ±	410 PLC ±	411 PLC ±
		412 PLC ±	413 PLC ±	414 PLC ±	415 PLC ±
		416 PLC ±	417 PLC ±	418 PLC ±	419 PLC ±
		420 PLC ±	421 PLC ±	422 PLC ±	423 PLC ±
		424 PLC ±	425 PLC ±	426 PLC ±	427 PLC ±
		428 PLC ±	429 PLC ±	430 PLC ±	431 PLC ±
		432 PLC ±	433 PLC ±	434 PLC ±	435 PLC ±
		436 PLC ±	437 PLC ±	438 PLC ±	439 PLC ±
		440 PLC ±	441 PLC ±	442 PLC ±	443 PLC ±
		444 PLC ±	445 PLC ±	446 PLC ±	447 PLC ±
		448 PLC ±	449 PLC ±	450 PLC ±	451 PLC ±
		452 PLC ±	453 PLC ±	454 PLC ±	455 PLC ±
		456 PLC ±	457 PLC ±	458 PLC ±	459 PLC ±
		460 PLC ±	461 PLC ±	462 PLC ±	463 PLC ±
		464 PLC ±	465 PLC ±	466 PLC ±	467 PLC ±
		468 PLC ±	469 PLC ±	470 PLC ±	471 PLC ±
		472 PLC ±	473 PLC ±	474 PLC ±	475 PLC ±
		476 PLC ±	477 PLC ±	478 PLC ±	479 PLC ±
		480 PLC ±	481 PLC ±	482 PLC ±	483 PLC ±
		484 PLC ±	485 PLC ±	486 PLC ±	487 PLC ±
		488 PLC ±	489 PLC ±	490 PLC ±	491 PLC ±
		492 PLC ±	493 PLC ±	494 PLC ±	495 PLC ±
		496 PLC ±	497 PLC ±	498 PLC ±	499 PLC ±
		500 PLC ±	501 PLC ±	502 PLC ±	503 PLC ±
		504 PLC ±	505 PLC ±	506 PLC ±	507 PLC ±
		508 PLC ±	509 PLC ±	510 PLC ±	511 PLC ±
		512 PLC ±	513 PLC ±	514 PLC ±	515 PLC ±
		516 PLC ±	517 PLC ±	518 PLC ±	519 PLC ±
		520 PLC ±	521 PLC ±	522 PLC ±	523 PLC ±
		524 PLC ±	525 PLC ±	526 PLC ±	527 PLC ±
		528 PLC ±	529 PLC ±	530 PLC ±	531 PLC ±
		532 PLC ±	533 PLC ±	534 PLC ±	535 PLC ±
		536 PLC ±	537 PLC ±	538 PLC ±	539 PLC ±
		540 PLC ±	541 PLC ±	542 PLC ±	543 PLC ±
		544 PLC ±	545 PLC ±	546 PLC ±	547 PLC ±
		548 PLC ±	549 PLC ±	550 PLC ±	551 PLC ±
		552 PLC ±	553 PLC ±	554 PLC ±	555 PLC ±
		556 PLC ±	557 PLC ±	558 PLC ±	559 PLC ±
		560 PLC ±	561 PLC ±	562 PLC ±	563 PLC ±
		564 PLC ±	565 PLC ±	566 PLC ±	567 PLC ±
		568 PLC ±	569 PLC ±	570 PLC ±	571 PLC ±
		572 PLC ±	573 PLC ±	574 PLC ±	575 PLC ±
		576 PLC ±	577 PLC ±	578 PLC ±	579 PLC ±
		580 PLC ±	581 PLC ±	582 PLC ±	583 PLC ±
		584 PLC ±	585 PLC ±	586 PLC ±	587 PLC ±
		588 PLC ±	589 PLC ±	590 PLC ±	591 PLC ±
		592 PLC ±	593 PLC ±	594 PLC ±	595 PLC ±
		596 PLC ±	597 PLC ±	598 PLC ±	599 PLC ±
		600 PLC ±	601 PLC ±	602 PLC ±	603 PLC ±
		604 PLC ±	605 PLC ±	606 PLC ±	607 PLC ±
		608 PLC ±	609 PLC ±	610 PLC ±	611 PLC ±
		612 PLC ±	613 PLC ±	614 PLC ±	615 PLC ±
		616 PLC ±	617 PLC ±	618 PLC ±	619 PLC ±
		620 PLC ±	621 PLC ±	622 PLC ±	623 PLC ±
		624 PLC ±	625 PLC ±	626 PLC ±	627 PLC ±
		628 PLC ±	629 PLC ±	630 PLC ±	631 PLC ±
		632 PLC ±	633 PLC ±	634 PLC ±	635 PLC ±
		636 PLC ±	637 PLC ±	638 PLC ±	639 PLC ±
		640 PLC ±	641 PLC ±	642 PLC ±	643 PLC ±
		644 PLC ±	645 PLC ±	646 PLC ±	647 PLC ±
		648 PLC ±	649 PLC ±	650 PLC ±	651 PLC ±
		652 PLC ±	653 PLC ±	654 PLC ±	655 PLC ±
		656 PLC ±	657 PLC ±	658 PLC ±	659 PLC ±
		660 PLC ±	661 PLC ±	662 PLC ±	663 PLC ±
		664 PLC ±	665 PLC ±	666 PLC ±	667 PLC ±
		668 PLC ±	669 PLC ±	670 PLC ±	671 PLC ±
		672 PLC ±	673 PLC ±	674 PLC ±	675 PLC ±
		676 PLC ±	677 PLC ±	678 PLC ±	679 PLC ±
		680 PLC ±	681 PLC ±	682 PLC ±	683 PLC ±
		684 PLC ±	685 PLC ±	686 PLC ±	687 PLC ±
		688 PLC ±	689 PLC ±	690 PLC ±	691 PLC ±
		692 PLC ±	693 PLC ±	694 PLC ±	695 PLC ±
		696 PLC ±	697 PLC ±	698 PLC ±	699 PLC ±
		700 PLC ±	701 PLC ±	702 PLC ±	703 PLC ±
		704 PLC ±	705 PLC ±	706 PLC ±	707 PLC ±
		708 PLC ±	709 PLC ±	710 PLC ±	711 PLC ±
		712 PLC ±	713 PLC ±	714 PLC ±	715 PLC ±
		716 PLC ±	717 PLC ±	718 PLC ±	719 PLC ±
		720 PLC ±	721 PLC ±	722 PLC ±	723 PLC ±
		724 PLC ±	725 PLC ±	726 PLC ±	727 PLC ±
		728 PLC ±	729 PLC ±	730 PLC ±	731 PLC ±
		732 PLC ±	733 PLC ±	734 PLC ±	735 PLC ±
		736 PLC ±	737 PLC ±	738 PLC ±	739 PLC ±
		740 PLC ±	741 PLC ±	742 PLC ±	743 PLC ±
		744 PLC ±	745 PLC ±	746 PLC ±	747 PLC ±

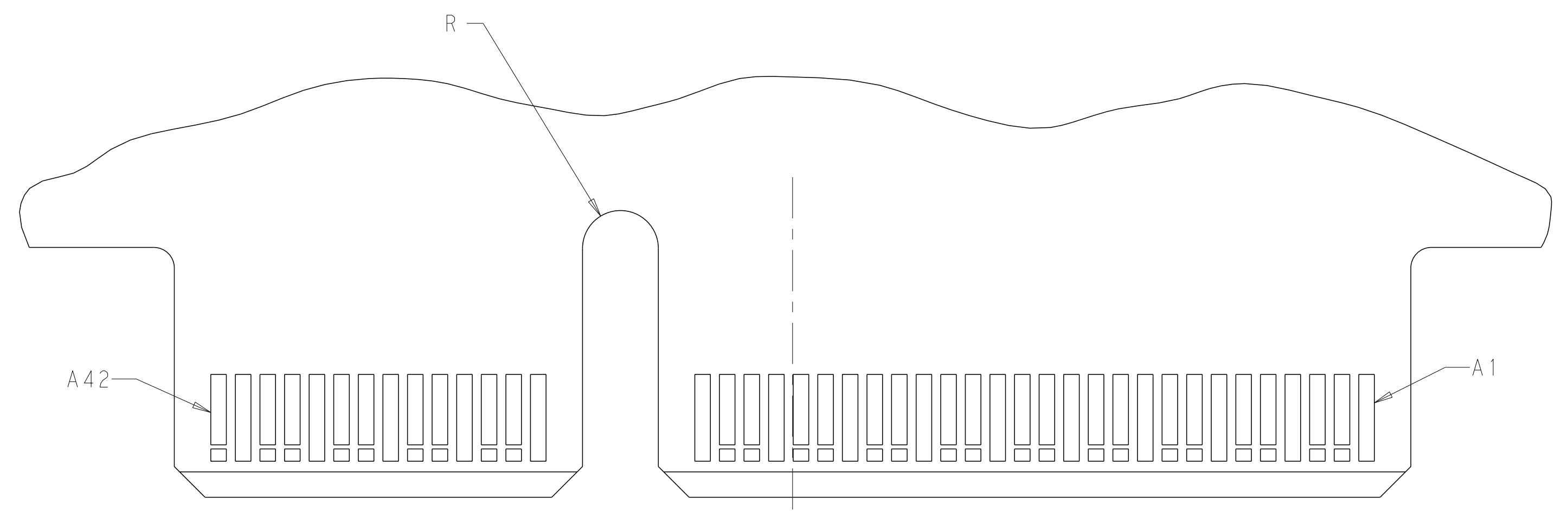
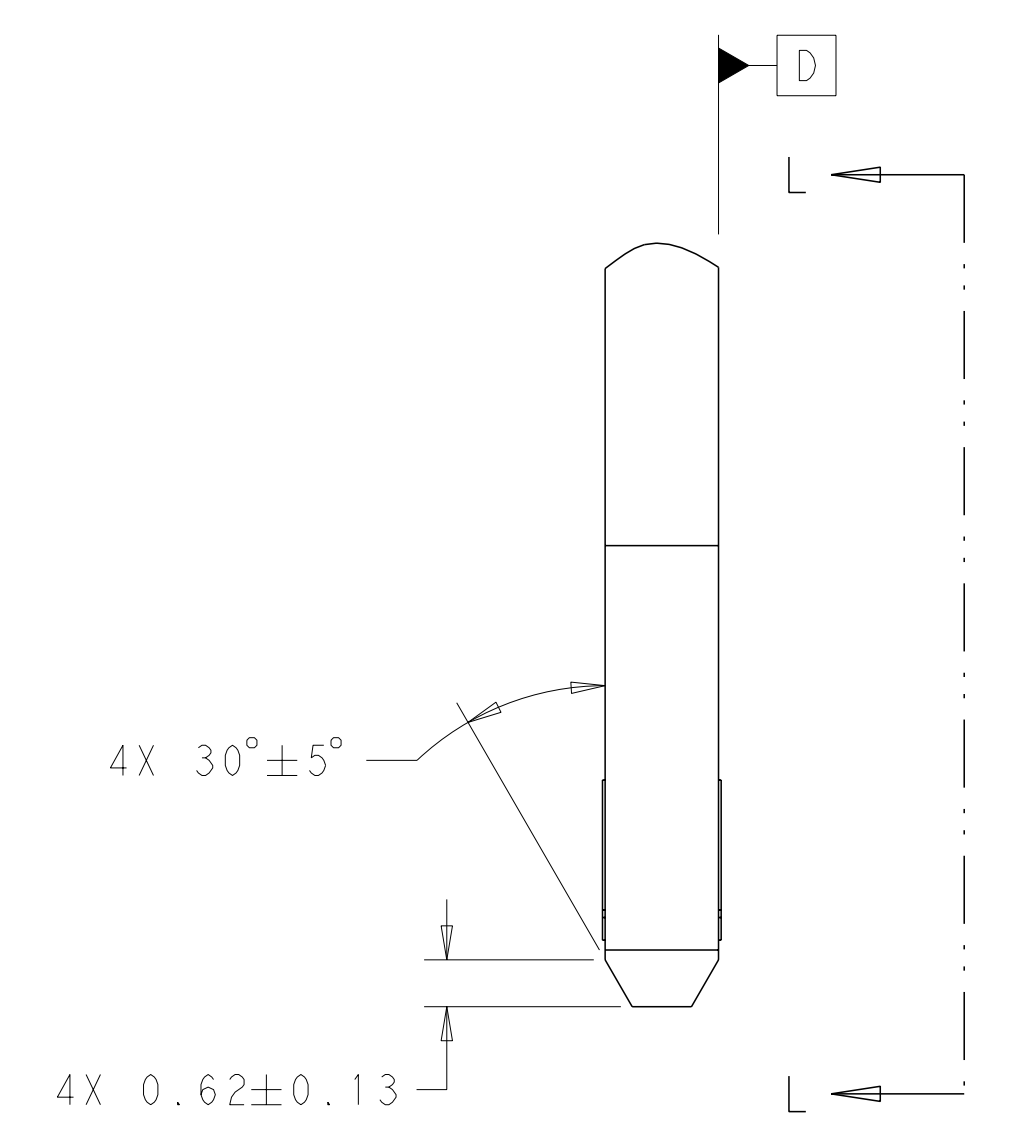
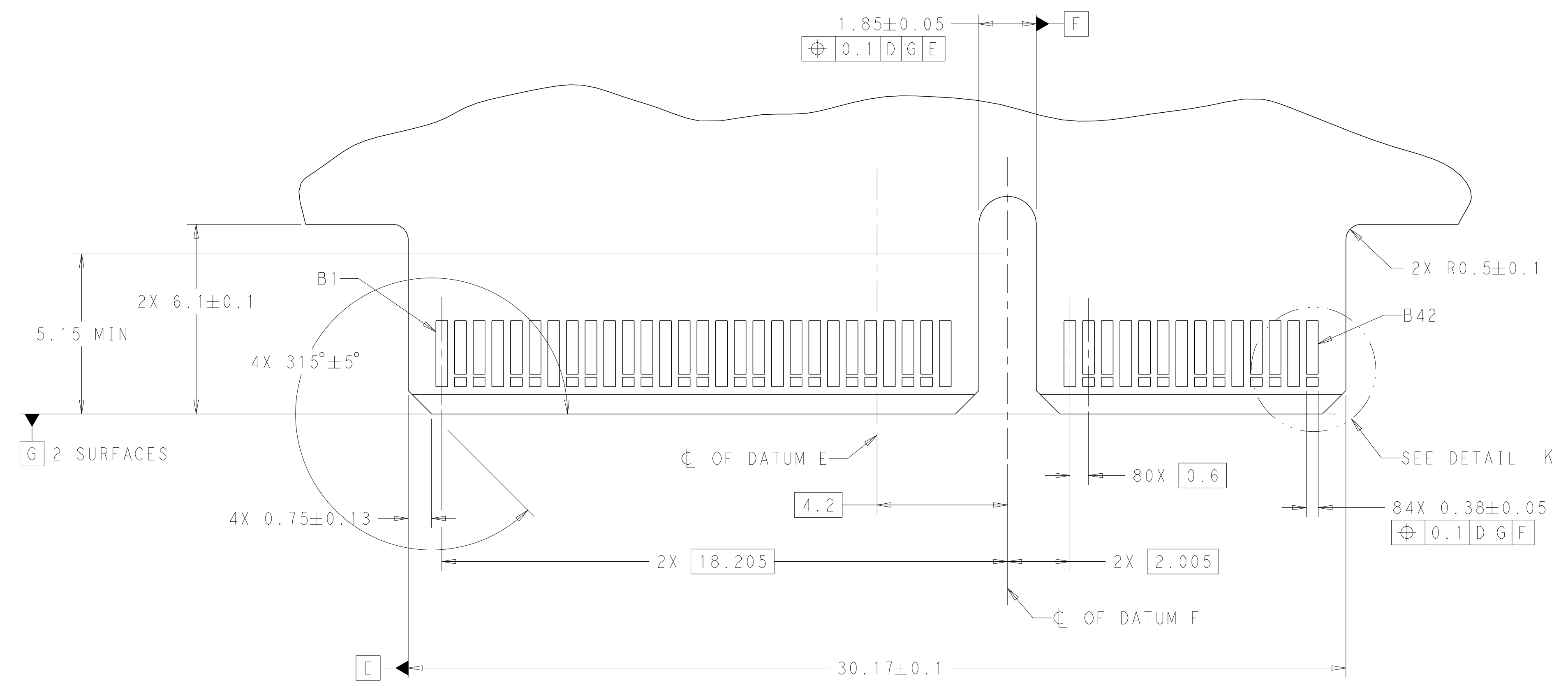
REVISIONS				
P.	LYR	DESCRIPTION	DATE	OWN
-	-	SEE SHEET 1	-	-



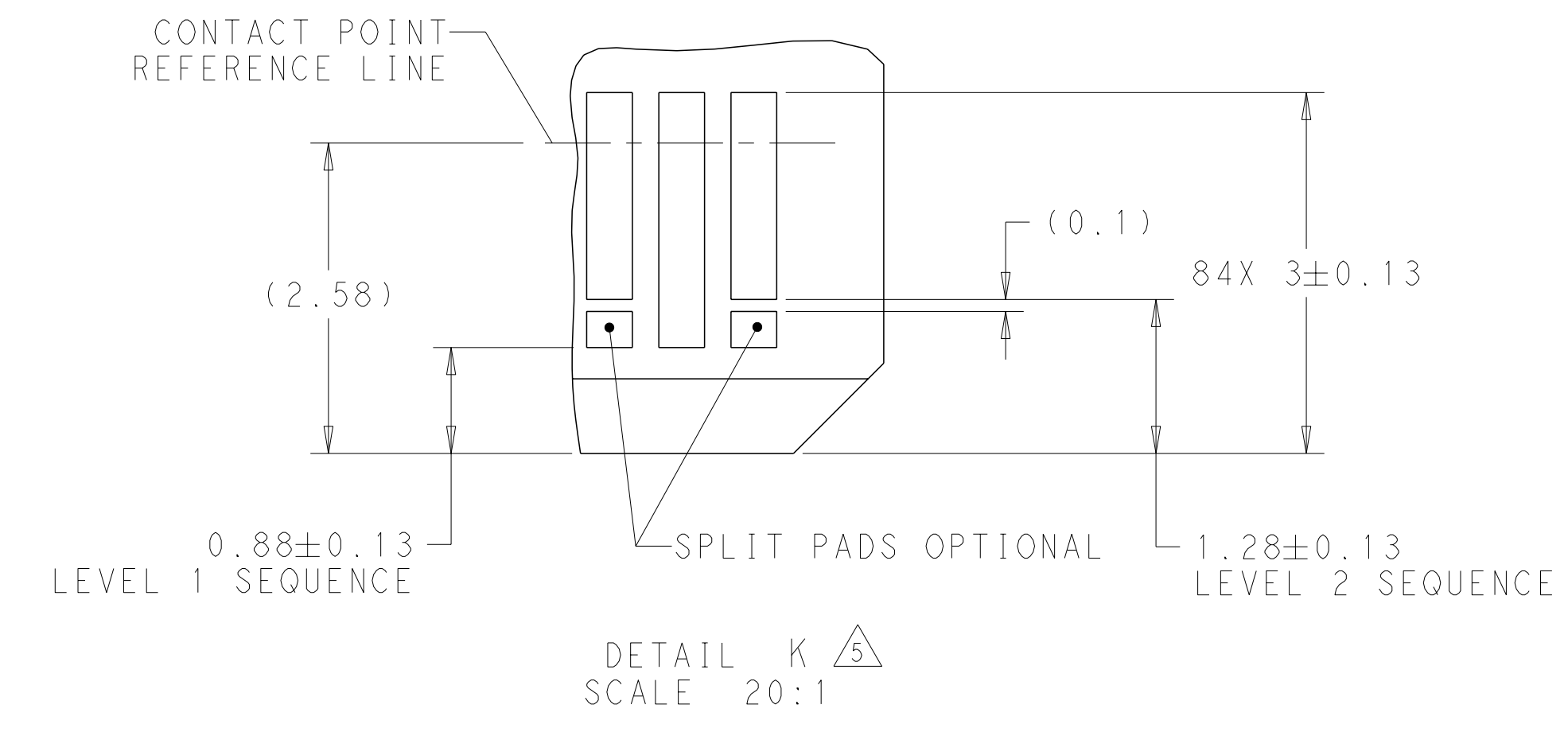
THIS DRAWING IS A CONTROLLED DOCUMENT.		OWN C. VALENTINE 16 JAN 2018	TE Connectivity
DIMENSIONS:		CHK D. HARMON 16 JAN 2018	
mm	TOLERANCES UNLESS OTHERWISE SPECIFIED:	APVD D. HARMON 16 JAN 2018	NAME RECEPTACLE ASSEMBLY, VERTICAL, 84 POSITION, SLIVER 2.0
	0 PLC ±	PRODUCT SPEC 108-130021	SIZE -
	2 PLC ±	APPLICATION SPEC 114-130008	CAGE CODE -
	3 PLC ±	WEIGHT -	DRAWING NO. C=2327678
	4 PLC ±	MATERIAL -	RESTRICTED TO -
	ANGLES ±	CUSTOMER DRAWING	SCALE 10:1 SHEET 2 OF 4 REV C
	FINISH ±		

REVISIONS					
#	LY#	DESCRIPTION	DATE	OWN	APVD
-	-	SEE SHEET 1	-	-	-

RECOMMENDED PCB OUTLINE DIMENSIONS.
 TOLERANCE VALUES ARE CRITICAL. PLEASE BE SURE TO DESIGNATE
 TOLERANCES TO PCB SUPPLIER TO ENSURE OPTIMIZED FUNCTIONALITY.



VIEW L-L



THIS DRAWING IS A CONTROLLED DOCUMENT.		OWN C. VALENTINE 16 JAN 2018	TE Connectivity NAME RECEPTACLE ASSEMBLY, VERTICAL, 84 POSITION, SLIVER 2.0
DIMENSIONS:		CHK D. HARMON 16 JAN 2018	
mm	TOLERANCES UNLESS OTHERWISE SPECIFIED:	APVD D. HARMON 16 JAN 2018	PRODUCT SPEC
0 PLC ±	1 PLC ±	APPLICATION SPEC	108-130021
2 PLC ±	3 PLC ±	SIZE	114-130008
4 PLC ±	ANGLES ±	WEIGHT	-
MATERIAL	FINISH	CUSTOMER DRAWING	SCALE 10:1 SHEET 3 OF 4 REV C

REVISIONS				
#	DATE	DESCRIPTION	OWN	APVD
-	-	SEE SHEET 1	-	-

TABLE 1: CONNECTOR CONTACT IDENTIFICATION

CONTACT NUMBER	SIDE A	SIDE B
1	GROUND	GROUND
2	SIGNAL	SIGNAL
3	SIGNAL	SIGNAL
4	GROUND	GROUND
5	SIGNAL	SIGNAL
6	SIGNAL	SIGNAL
7	GROUND	GROUND
8	SIGNAL	SIGNAL
9	SIGNAL	SIGNAL
10	GROUND	GROUND
11	SIGNAL	SIGNAL
12	SIGNAL	SIGNAL
13	GROUND	GROUND
14	SIGNAL	SIGNAL
15	SIGNAL	SIGNAL
16	GROUND	GROUND
17	SIGNAL	SIGNAL
18	SIGNAL	SIGNAL
19	GROUND	GROUND
20	SIGNAL	SIGNAL
21	SIGNAL	SIGNAL
22	GROUND	GROUND
23	SIGNAL	SIGNAL
24	SIGNAL	SIGNAL
25	GROUND	GROUND
26	SIGNAL	SIGNAL
27	SIGNAL	SIGNAL
28	GROUND	GROUND
29	GROUND	GROUND
30	SIGNAL	SIGNAL
31	SIGNAL	SIGNAL
32	GROUND	GROUND
33	SIGNAL	SIGNAL
34	SIGNAL	SIGNAL
35	GROUND	GROUND
36	SIGNAL	SIGNAL
37	SIGNAL	SIGNAL
38	GROUND	GROUND
39	SIGNAL	SIGNAL
40	SIGNAL	SIGNAL
41	GROUND	GROUND
42	GROUND	GROUND

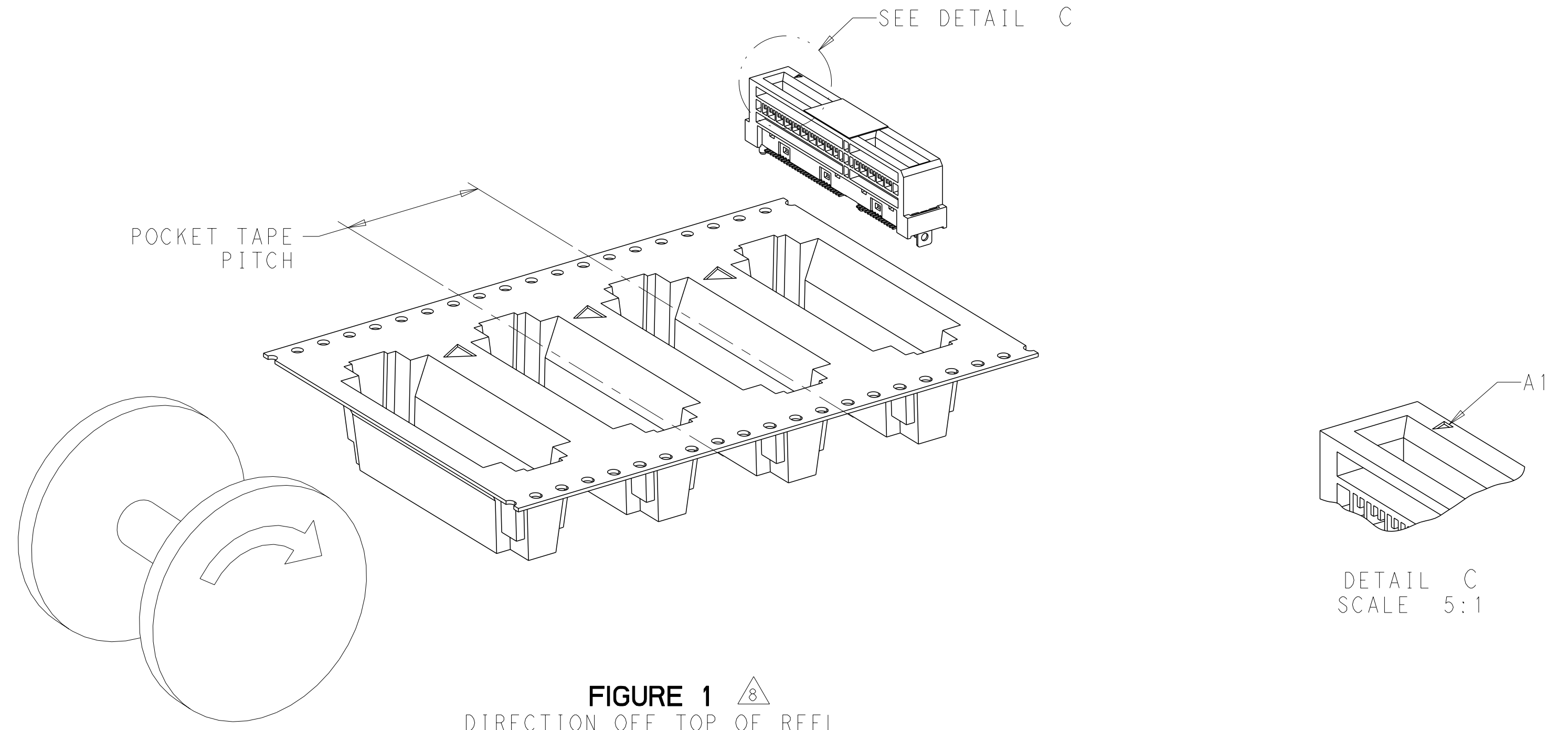


FIGURE 1
 DIRECTION OFF TOP OF REEL
 FOR USER UNREELING
 SHOWN AS 2327678-1 THRU 2327678-9
 SCALE 2:1

3.0±0.1	ALL	0.76µm Au	20	250	YES	200	3-2327678-3
1.2±0.1	ENDS	0.76µm Au	24	250	NO	200	1-2327678-9
		0.38µm Au				100	1-2327678-8
1.8±0.1	ENDS	0.76µm Au	24	250	NO	200	1-2327678-6
		0.38µm Au				100	1-2327678-5
		FLASH Au/PdNi				50	1-2327678-4
1.8±0.1	ALL	0.76µm Au	24	250	NO	200	1-2327678-3
		0.38µm Au				100	1-2327678-2
		FLASH Au/PdNi				50	1-2327678-1
1.2±0.1	ENDS	0.76µm Au	20	350	YES	200	2327678-9
		0.38µm Au				100	2327678-8
		FLASH Au/PdNi				50	2327678-7
1.8±0.1	ENDS	0.76µm Au	20	350	YES	200	2327678-6
		0.38µm Au				100	2327678-5
		FLASH Au/PdNi				50	2327678-4
1.8±0.1	ALL	0.76µm Au	20	350	YES	200	2327678-3
		0.38µm Au				100	2327678-2
		FLASH Au/PdNi				50	2327678-1
A	HOLD DOWNS	PLATING	POCKET TAPE PITCH	REEL QUANTITY	PICK AND PLACE TAPE	MATING CYCLES	PART NUMBER

THIS DRAWING IS A CONTROLLED DOCUMENT. **TE** Connectivity

OWN: C. VALENTINE 16 JAN 2018
 CHK: D. HARMON 16 JAN 2018
 APVD: D. HARMON 16 JAN 2018

NAME: RECEPTACLE ASSEMBLY, VERTICAL, 84 POSITION, SLIVER 2.0

PRODUCT SPEC: 108-130021
 APPLICATION SPEC: 114-130008

SIZE: A1 CAGE CODE: - DRAWING NO: 2327678

RESTRICTED TO: -

CUSTOMER DRAWING SCALE: 10:1 SHEET: 4 OF 4 REV: C

单击下面可查看定价，库存，交付和生命周期等信息

[>>TE Connectivity\(泰科\)](#)