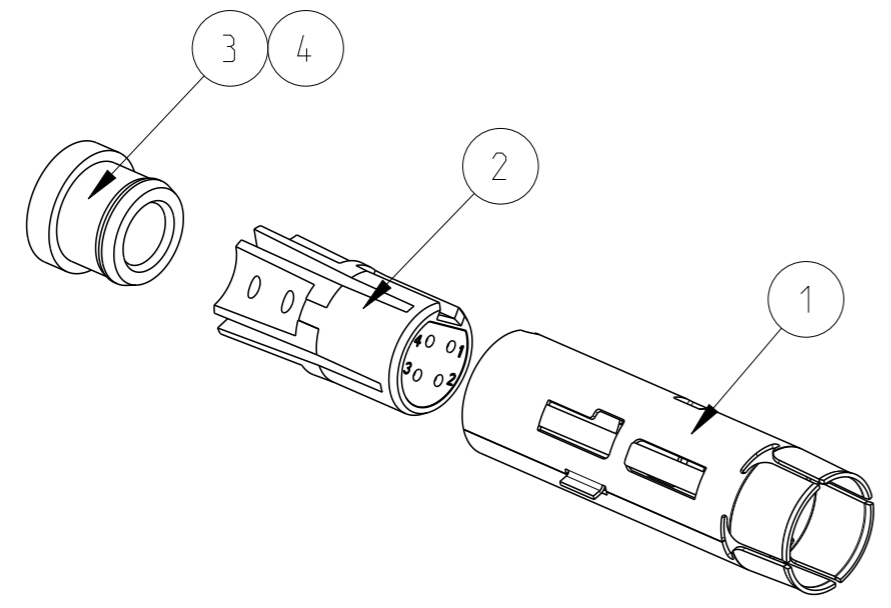
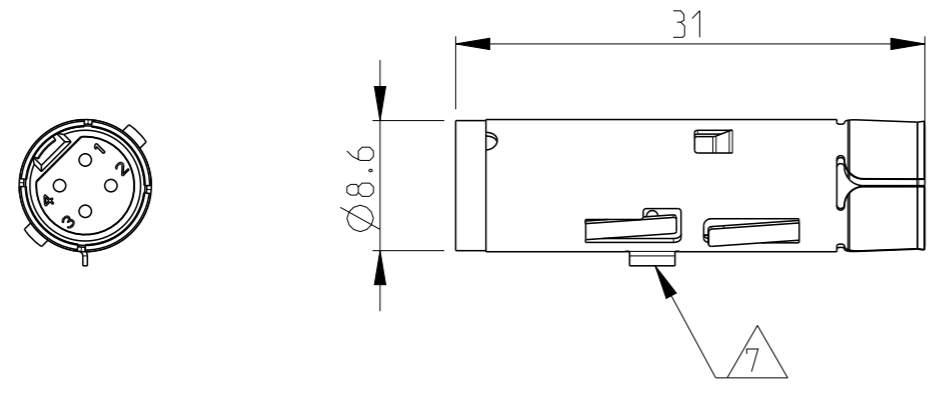


THIS DRAWING IS UNPUBLISHED. RELEASED FOR PUBLICATION 2006  
 © COPYRIGHT 2006 ALL RIGHTS RESERVED.

LOC	DIST	REVISIONS					
		P	LTR	DESCRIPTION	DATE	DWN	APVD
AI	-		D3	ECR-11-009482	09MAY2011	VG	BR
			D4	ECR-15-014241	27OCT2015	RK	JB
			D5	REV. PER ECR-16-000458	12JAN2016	ER	DO
			D6	ITEM 4 EXCHANGED PER PCN E-16-007296	20MAY2016	ER	DO



- Notes
- 1 SUITABLE POWER INSERT: SERIES HC26  
CUSTOMER DRAWING: 1103428
  - 2 SUITABLE CAT5e CABLE:  
CUSTOMER DRAWING: 1103536
  - 3 SUITABLE CRIMP CONTACTS:  
CUSTOMER DRAWING: 1658670
  - 4 SUITABLE INSERTION TOOL:  
CUSTOMER DRAWING: 91285
  - 5 SUITABLE EXTRACTION TOOL:  
CUSTOMER DRAWING: 91285
  - 6 STANDARDS:  
DIN EN 61984, DIN EN 60664-1
  - 7 POLARIZATION RIP
  - 8 PACKAGING:  
40 SETS IN A CARTON, UNMOUNTED

PN 0--1 AND 0--2 AS SHOWN

QTY	DESCRIPTION	MATERIAL	SURFACE/COLOR	NOTE	ITEM		
-	1	-	FERRULE	BRASS	SILVER PLATED	SERIES HC26, MALE SHELL	4
-	-	1	FERRULE	BRASS	SILVER PLATED	SERIES HC26, MALE SHELL	3
-	1	1	MALE INSERT ASS'Y			SERIES HC26, 4-POS. 22DF	2
-	1	1	MALE SHELL	COPPER ALLOY	SILVER PLATED	SERIES HC26, 4-POS. 22DF	1
-	0--2	0--1	DESCRIPTION	MATERIAL	SURFACE/COLOR	NOTE	ITEM

THIS DRAWING IS A CONTROLLED DOCUMENT.		DWN 27OCT2008 H.BRAUN		TE Connectivity  <b>MALE INSERT ASS'Y</b> SERIES HC26, 4-POS. 22DF CIRCULAR HYBRID CONNECTOR	
DIMENSIONS: mm		CHK 27OCT2008 T.VETTER			
		APVD 27OCT2008 T.SCHNURPFEL			
TOLERANCES UNLESS OTHERWISE SPECIFIED:		PRODUCT SPEC			
0 PLC ± 1 PLC ± 2 PLC ± 3 PLC ± 4 PLC ± ANGLES ±		APPLICATION SPEC		NAME	
MATERIAL -		FINISH -		108-94485	
				114-94369	
				WEIGHT -	
				Customer Drawing	
				SCALE 2:1	
				SHEET 1 OF 1	
				REV D6	

单击下面可查看定价，库存，交付和生命周期等信息

[>>TE Connectivity\(泰科\)](#)