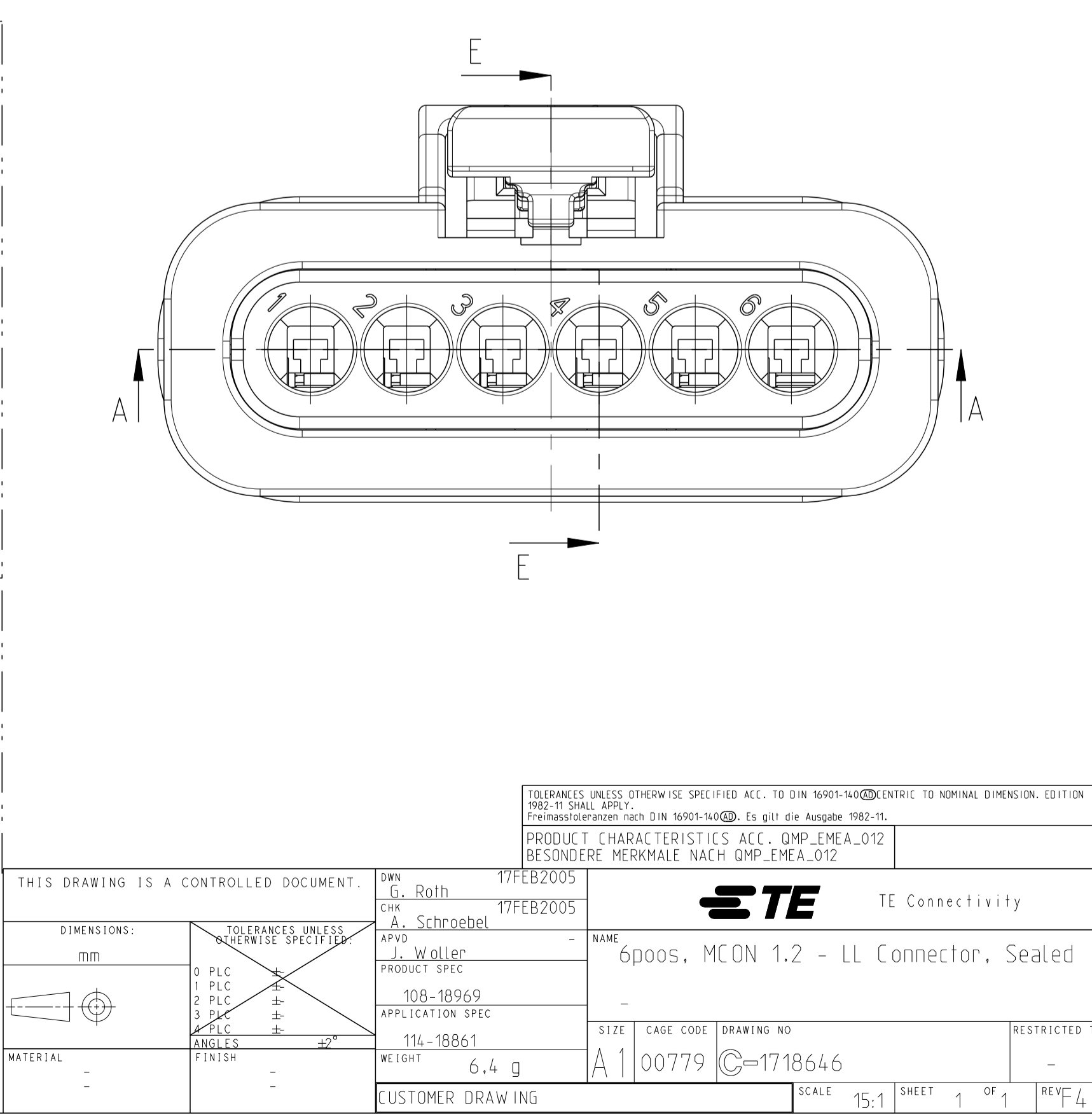
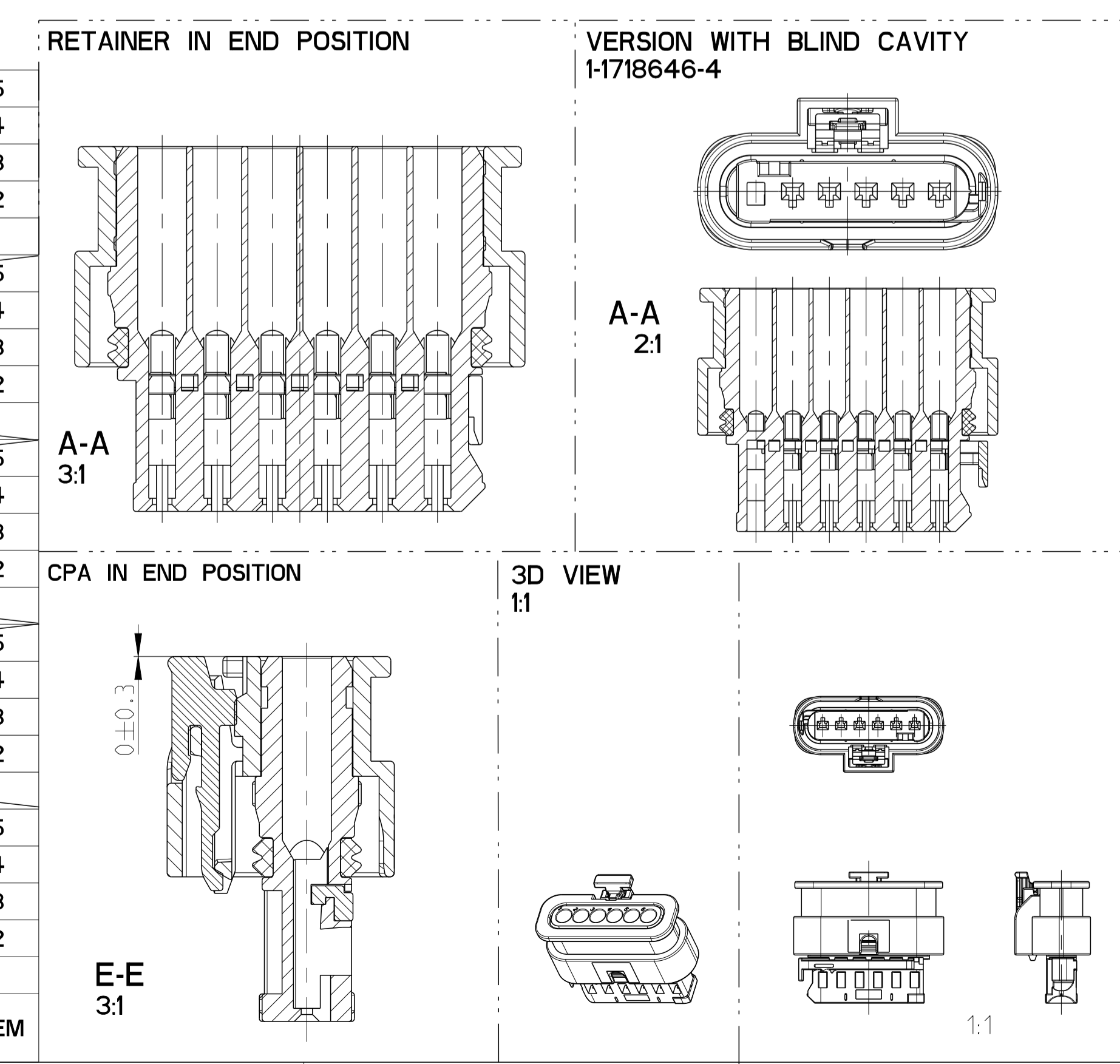


- 1 USABLE CONTACTS MCON 1.2  
SEE TE-NO. 1452674. VERSION SINGLE WIRE SEAL
  - 2 MAX. WIRE SIZE RANGE 1.0 mm<sup>2</sup> FLR PERMITTED  
FOR CAVITY-Ø 3.55mm  
QUANTITY SEE WIRE HARNESS DRAWING  
FOR PERMISSIBLE CURRENT CARRYING CAPACITY OF THE SINGLE CONTACT  
SEE PRODUCT SPECIFICATION NO.108-18782
  - F3 3 TE RELEVANT IDENTIFICATION AND TRACKING NUMBERS
  - 4 SPACE OF ACTIVITY
  - 5 SUPPLY CONDITION: CPA IN PRELOCKED POSITION
  - 6 SUPPLY CONDITION: RETAINER IN PRELOCKED POSITION
  - 7 WARPAGE PERMITTED TO MAX. -0.5mm
  - 8 TE ORDER-NO.
  - 9 ACCORDING TO INTERFACE DRAWING  
SEE TE-NO. 114-18679-3
  - 10 ASSEMBLY LINE SEGMENT IDENTIFICATION
  - 11 DATE CODE (DD/YY)
  - F3 12 AREA FOR PRINT WITH CUSTOMER RELEVANT MARKING
  - F3 13 TE TRADEMARK
  - F4 14 DIVERGENT MARKING FOR PARTS FROM DIFFERENT PLANTS (BR. CN. U.S...)
- 1- -1 AS SHOWN

TE-ORDER-NO.	COD	DESCRIPTION	REV	QTY	DESCRIPTION	MATERIAL	SURFACE/COLOUR	ITEM
1-1718646-4	A	6pos. MCON 1.2 - LL Connector, Sealed	F	1	MCON 1.2 - CPA	PA46-GF15	GRAY SIML_RAL 7037	5
				1	6pos. MCON 1.2 - Seal	MVG	NATURE	4
				1	6pos. MCON 1.2 - Retainer	PA66-GF15	VIOLETT SIML_RAL 4006	3
				1	6pos. MCON 1.2 - Protec. Cover	PA6-GF15	BLACK SIML_RAL 9011	2
				1	6pos. MCON 1.2 - Rec. Hsg.	PA66-GF30	BLACK SIML_RAL 9011	1
				1	MCON 1.2 - CPA	PA46-GF15	GRAY SIML_RAL 7037	5
				1	6pos. MCON 1.2 - Seal	MVG	NATURE	4
				1	6pos. MCON 1.2 - Retainer	PA66-GF15	VIOLETT SIML_RAL 4006	3
				1	6pos. MCON 1.2 - Protec. Cover	PA6-GF15	BLACK SIML_RAL 9011	2
				1	6pos. MCON 1.2 - Rec. Hsg.	PA66-GF30	BLACK SIML_RAL 4004	1
4-1718646-1	D	6pos. MCON 1.2 - LL Connector, Sealed	D	1	MCON 1.2 - CPA	PA46-GF15	GRAY SIML_RAL 7037	5
				1	6pos. MCON 1.2 - Seal	MVG	NATURE	4
				1	6pos. MCON 1.2 - Retainer	PA66-GF15	VIOLETT SIML_RAL 4006	3
				1	6pos. MCON 1.2 - Protec. Cover	PA6-GF15	BLACK SIML_RAL 9011	2
				1	6pos. MCON 1.2 - Rec. Hsg.	PA66-GF30	BLACK SIML_RAL 9011	1
				1	MCON 1.2 - CPA	PA46-GF15	GRAY SIML_RAL 7037	5
				1	6pos. MCON 1.2 - Seal	MVG	NATURE	4
				1	6pos. MCON 1.2 - Retainer	PA66-GF15	VIOLETT SIML_RAL 4006	3
				1	6pos. MCON 1.2 - Protec. Cover	PA6-GF15	BLACK SIML_RAL 9011	2
				1	6pos. MCON 1.2 - Rec. Hsg.	PA66-GF30	BLACK SIML_RAL 5012	1
3-1718646-1	C	6pos. MCON 1.2 - LL Connector, Sealed	D	1	MCON 1.2 - CPA	PA46-GF15	GRAY SIML_RAL 7037	5
				1	6pos. MCON 1.2 - Seal	MVG	NATURE	4
				1	6pos. MCON 1.2 - Retainer	PA66-GF15	VIOLETT SIML_RAL 4006	3
				1	6pos. MCON 1.2 - Protec. Cover	PA6-GF15	BLACK SIML_RAL 9011	2
				1	6pos. MCON 1.2 - Rec. Hsg.	PA66-GF30	BLACK SIML_RAL 9011	1
				1	MCON 1.2 - CPA	PA46-GF15	GRAY SIML_RAL 7037	5
				1	6pos. MCON 1.2 - Seal	MVG	NATURE	4
				1	6pos. MCON 1.2 - Retainer	PA66-GF15	VIOLETT SIML_RAL 4006	3
				1	6pos. MCON 1.2 - Protec. Cover	PA6-GF15	BLACK SIML_RAL 9011	2
				1	6pos. MCON 1.2 - Rec. Hsg.	PA66-GF30	NATURE	1
2-1718646-1	B	6pos. MCON 1.2 - LL Connector, Sealed	E	1	MCON 1.2 - CPA	PA46-GF15	GRAY SIML_RAL 7037	5
				1	6pos. MCON 1.2 - Seal	MVG	NATURE	4
				1	6pos. MCON 1.2 - Retainer	PA66-GF15	VIOLETT SIML_RAL 4006	3
				1	6pos. MCON 1.2 - Protec. Cover	PA6-GF15	BLACK SIML_RAL 9011	2
				1	6pos. MCON 1.2 - Rec. Hsg.	PA66-GF30	NATURE	1
				1	MCON 1.2 - CPA	PA46-GF15	GRAY SIML_RAL 7037	5
				1	6pos. MCON 1.2 - Seal	MVG	NATURE	4
				1	6pos. MCON 1.2 - Retainer	PA66-GF15	VIOLETT SIML_RAL 4006	3
				1	6pos. MCON 1.2 - Protec. Cover	PA6-GF15	BLACK SIML_RAL 9011	2
				1	6pos. MCON 1.2 - Rec. Hsg.	PA66-GF30	BLACK SIML_RAL 9011	1
1-1718646-1	A	6pos. MCON 1.2 - LL Connector, Sealed	F	1	MCON 1.2 - CPA	PA46-GF15	GRAY SIML_RAL 7037	5
				1	6pos. MCON 1.2 - Seal	MVG	NATURE	4
				1	6pos. MCON 1.2 - Retainer	PA66-GF15	VIOLETT SIML_RAL 4006	3
				1	6pos. MCON 1.2 - Protec. Cover	PA6-GF15	BLACK SIML_RAL 9011	2
				1	6pos. MCON 1.2 - Rec. Hsg.	PA66-GF30	BLACK SIML_RAL 9011	1



THIS DRAWING IS A CONTROLLED DOCUMENT.		OWN: G. Roth 17FEB2005	TE Connectivity
DIMENSIONS: mm		CHK: A. Schraebel 17FEB2005	NAME: 6pos. MCON 1.2 - LL Connector, Sealed
TOLERANCES UNLESS OTHERWISE SPECIFIED		APVD: J. Woller	SIZE: 108-18969
0 PLC ±		PRODUCT SPEC	APPLICATION SPEC
1 PLC ±		114-18861	114-18861
2 PLC ±		108-18969	108-18969
3 PLC ±		114-18861	114-18861
4 PLC ±		108-18969	108-18969
5 PLC ±		114-18861	114-18861
ANGLES		WEIGHT: 6.4 g	RESTRICTED TO
FINISH		CUSTOMER DRAWING	SCALE: 15:1 SHEET 1 OF 1 REV: F4

单击下面可查看定价，库存，交付和生命周期等信息

[>>TE Connectivity\(泰科\)](#)