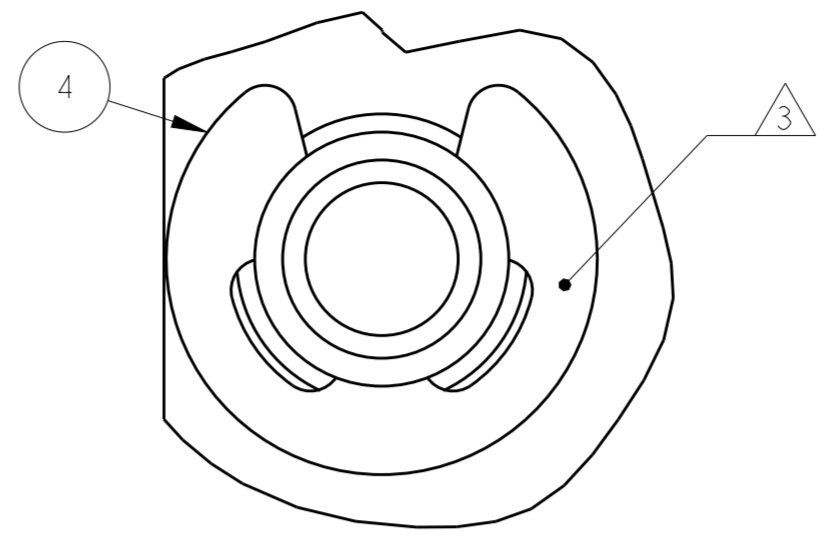
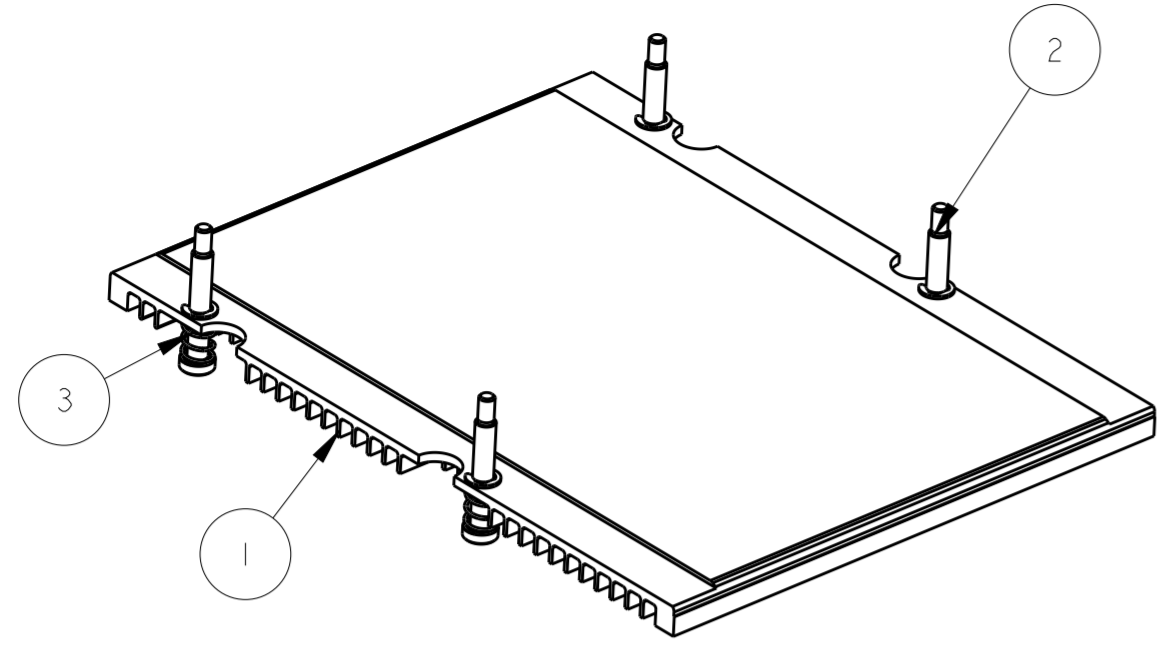


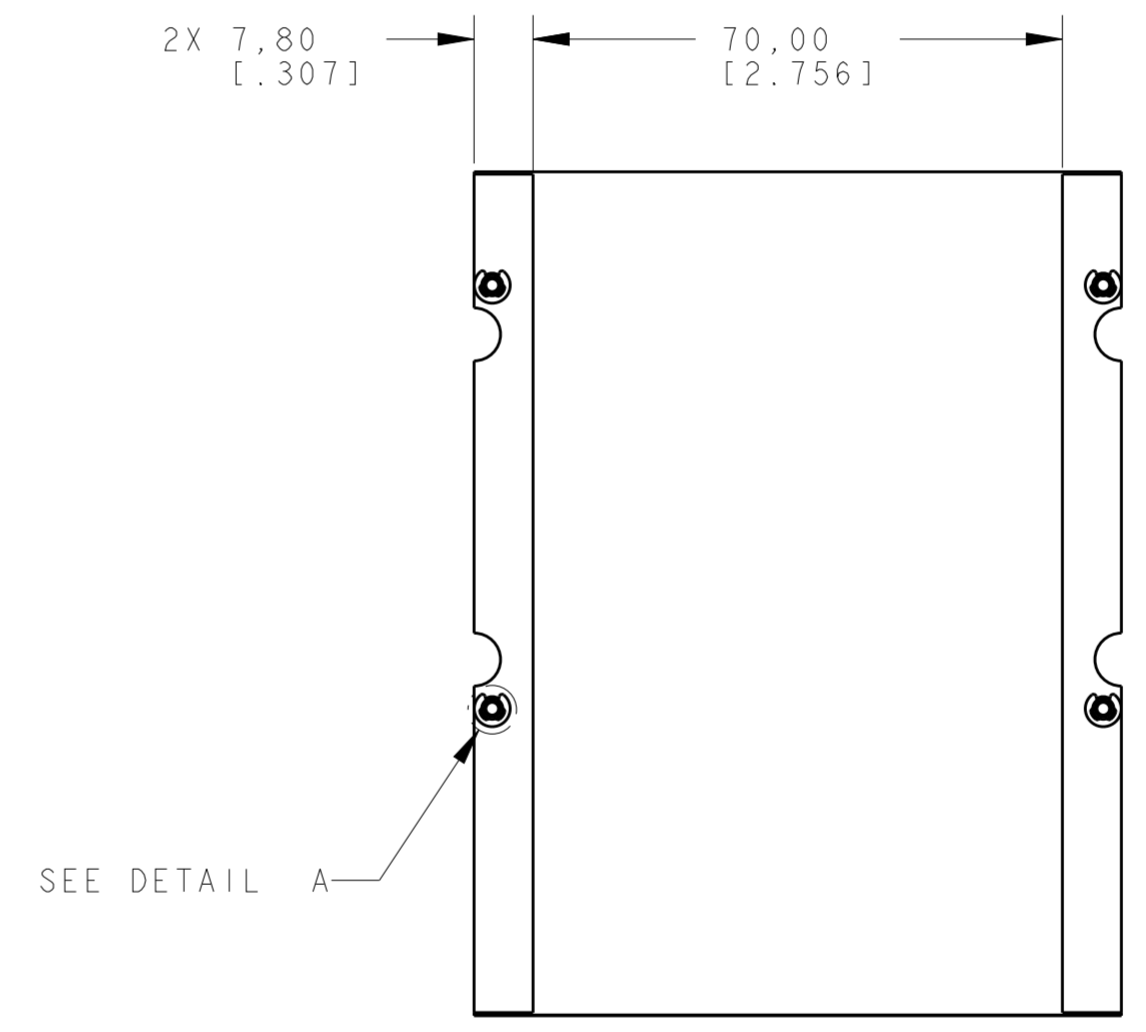
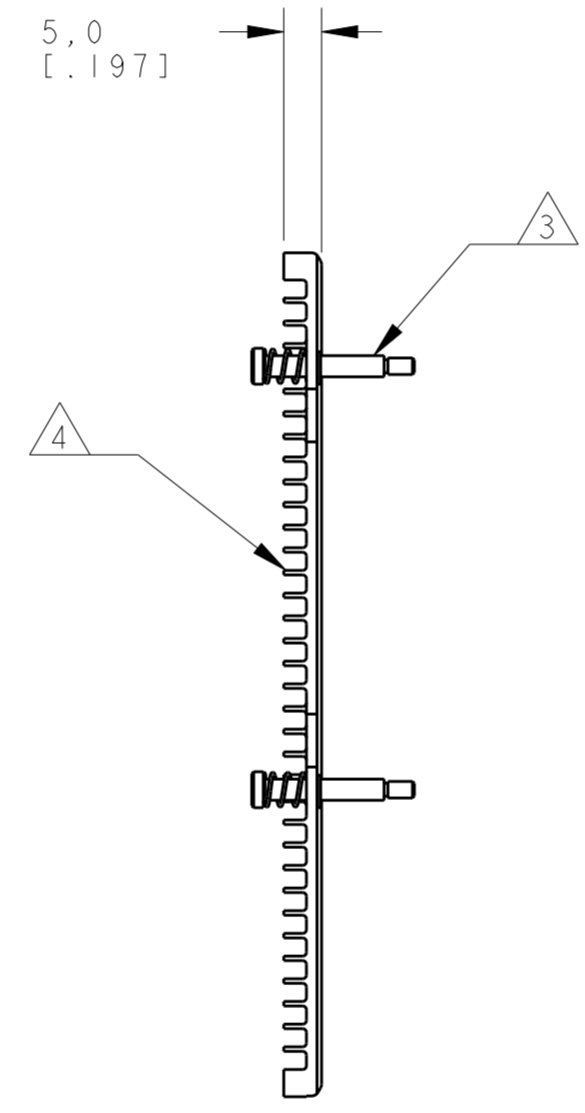
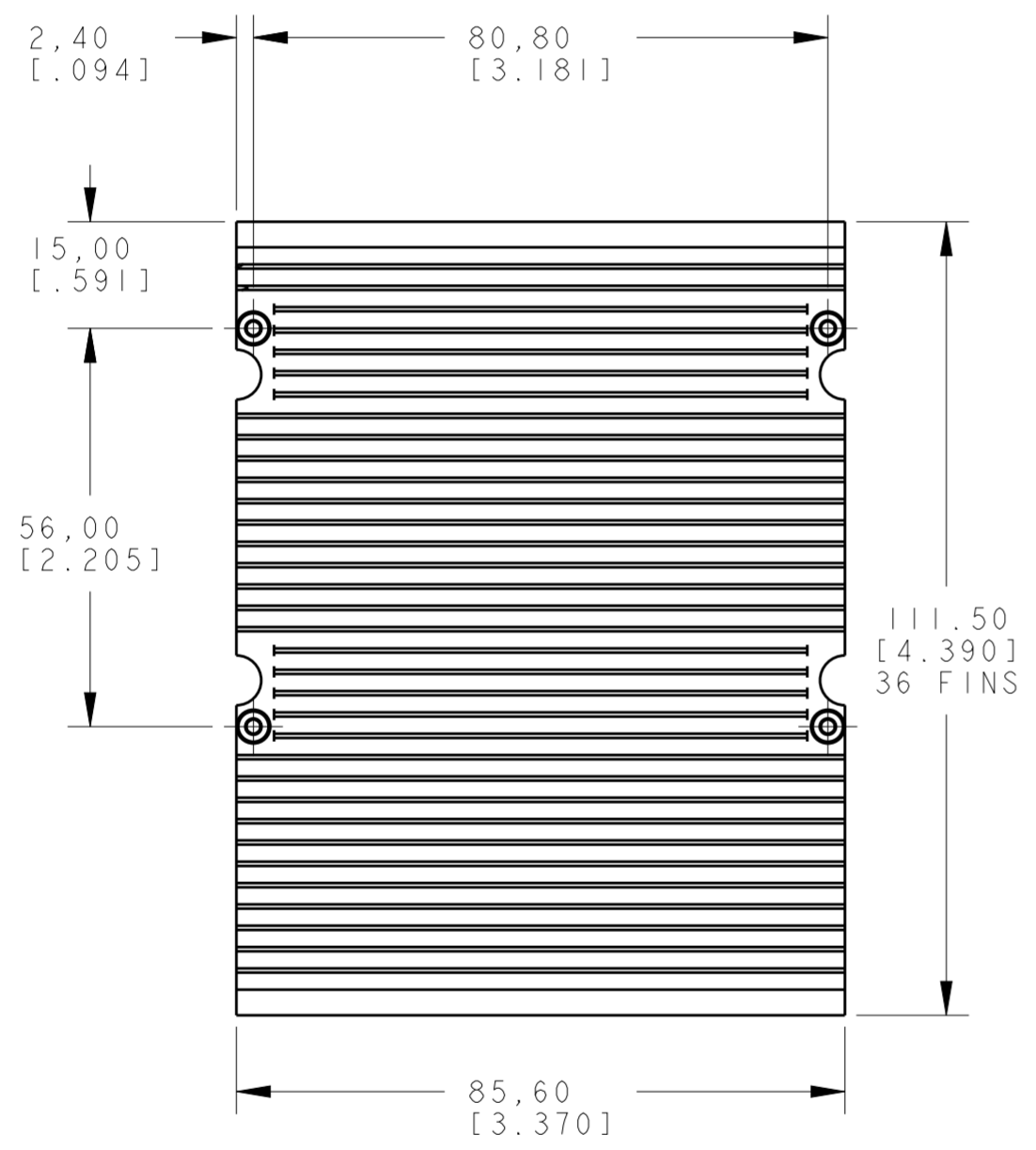
THIS DRAWING IS UNPUBLISHED. RELEASED FOR PUBLICATION 20
 © COPYRIGHT 20 BY - ALL RIGHTS RESERVED.

LOC	DIST	REVISIONS					
GP	00	P	LTR	DESCRIPTION	DATE	DWN	APVD
		A		RELEASED	17SEP2013	CJV	MRS
		B		REVISED PER ECO-16-002273	18FEB2016	PP	SH
		C		REVISED PER ECO-16-015207	09OCT2016	PP	SH



DETAIL A
SCALE 12.000

- 1 HEATSINK MATERIAL: ALUMINUM ALLOY
- 2 FINISH: HARDCOAT ANNOXIDIZED
- 3 2-56 SHOULDER BOLT AND SPRING PRE-ASSEMBLED AND HELD IN PLACE WITH CLIP
- 4 FULL ROUND PERMITTED ON TOP OF HEATSINK FINS



SEE DETAIL A

QTY	UNIT	DESCRIPTION	ITEM NO.
4	4	E-CLIP	4
4	4	SPRING	3
4	4	2-56 SHOULDER SCREW	2
1	-	HEAT SINK (36 FINS, LOW)	1
-	-	HEAT SINK (36 FINS)	
-	-	HEAT SINK (46 FINS)	
-5	-3	DESCRIPTION	ITEM NO.

2274283-1 AS SHOWN

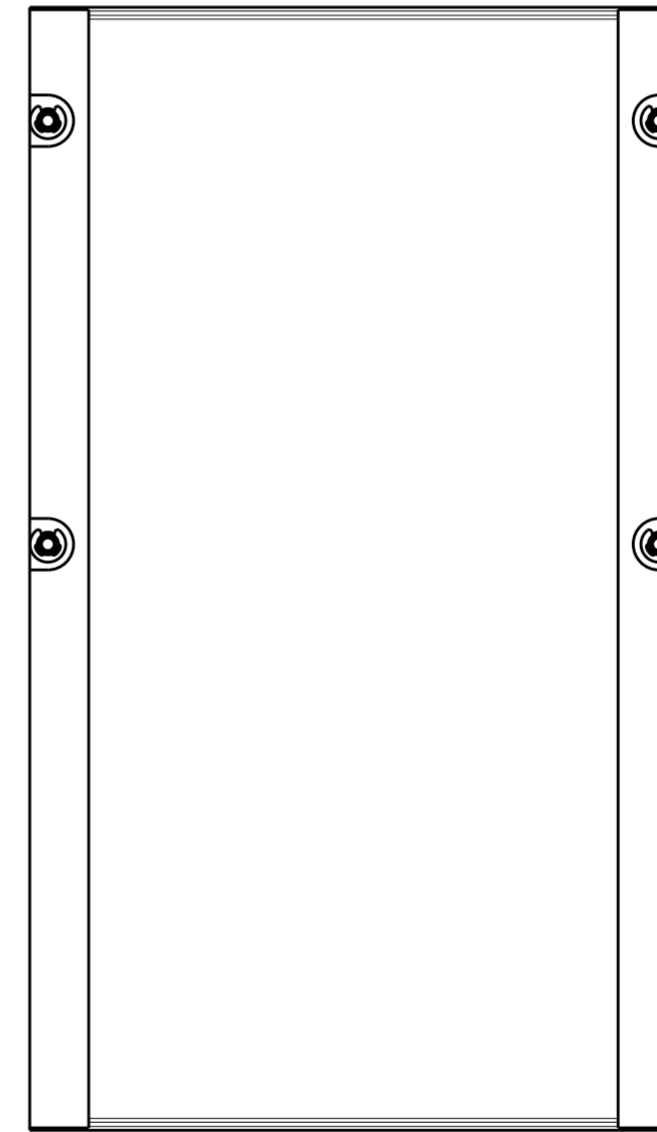
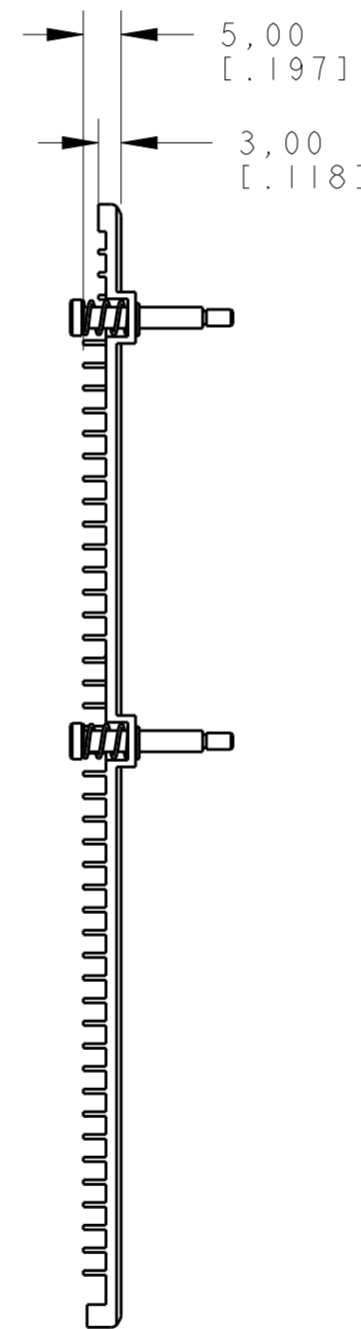
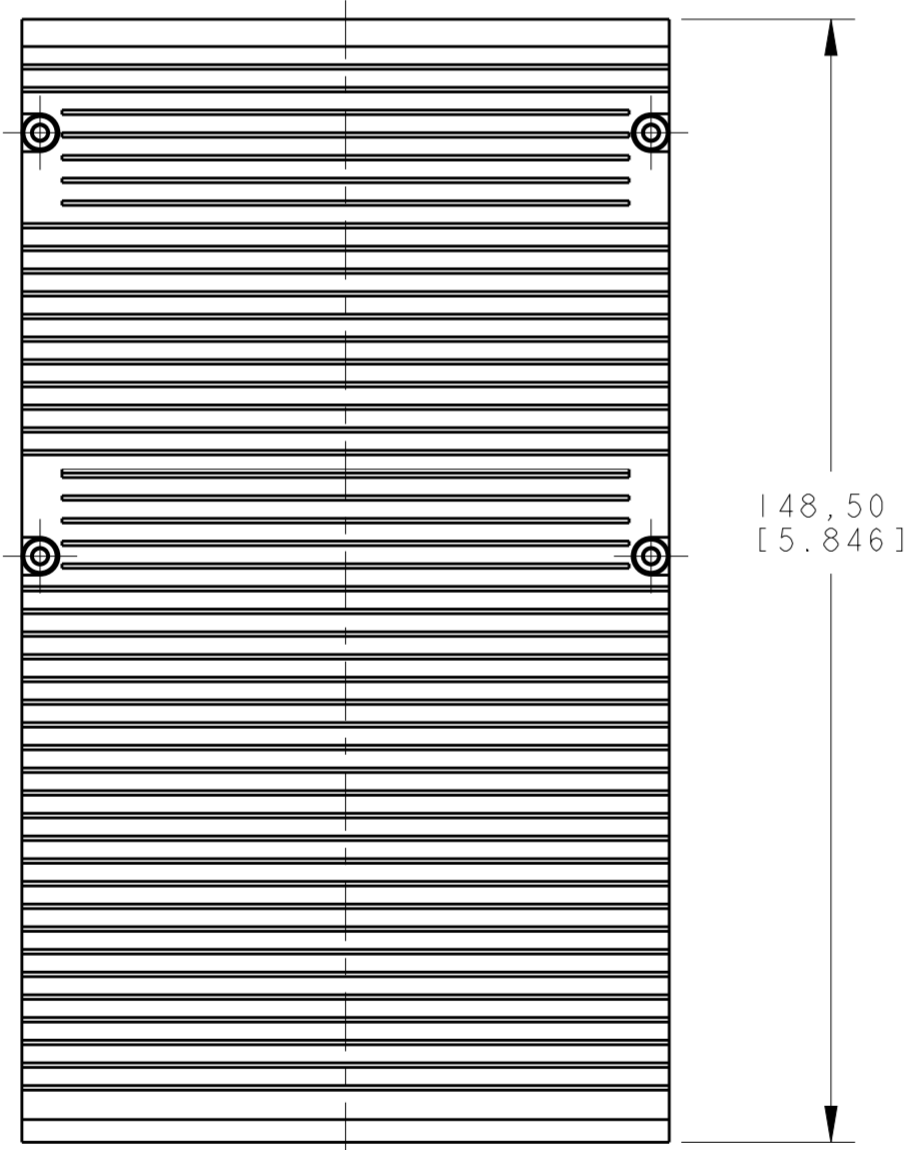
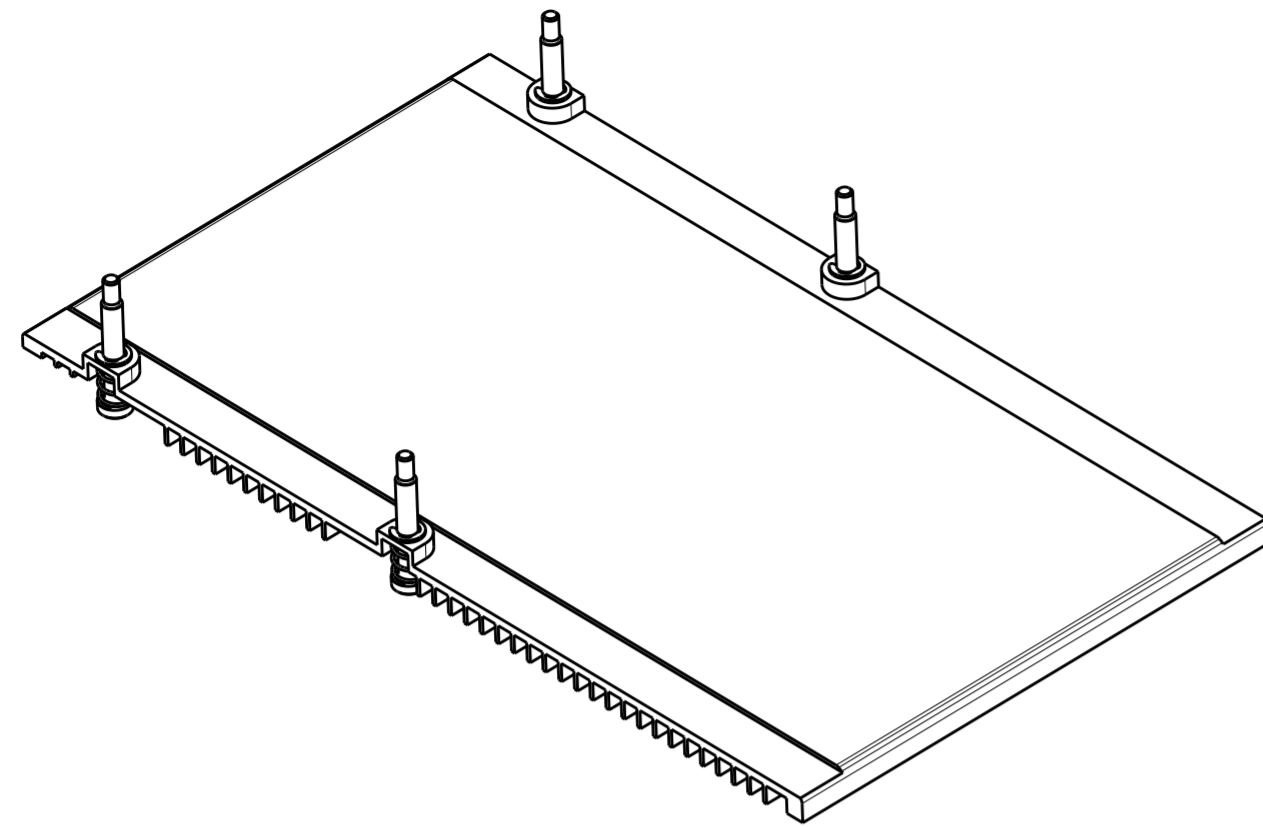
THIS DRAWING IS A CONTROLLED DOCUMENT.

DIMENSIONS:	TOLERANCES UNLESS OTHERWISE SPECIFIED:	DWN	17SEP2013	TE Connectivity
mm	0 PLC ±	CHK	C. VALENTINE 17SEP2013	
	1 PLC ±0.5	APVD	M. SCHMITT 17SEP2013	
	2 PLC ±0.25	APVD	M. SCHMITT 17SEP2013	
	3 PLC ±0.125	PRODUCT SPEC		NAME
	4 PLC ±0.0001	APPLICATION SPEC		HEAT SINK ASSEMBLY
MATERIAL	FINISH	WEIGHT		100 GIG PLUGGABLE
1	2			


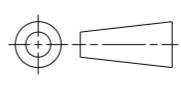
CUSTOMER DRAWING SCALE 1.000 SHEET 1 OF 3 REV C

THIS DRAWING IS UNPUBLISHED. RELEASED FOR PUBLICATION 20
 © COPYRIGHT 20 BY - ALL RIGHTS RESERVED.

LOC	DIST	REVISIONS			
P	LTR	DESCRIPTION	DATE	DWN	APVD
-	-	SEE SHEET 1	-	-	-



2274283-3 AS SHOWN
 UNSPECIFIED DIMENSIONS REFER 2274283-1

THIS DRAWING IS A CONTROLLED DOCUMENT.		DWN C. VALENTINE 17SEP2013	 TE Connectivity	
DIMENSIONS: mm(inch)		CHK M. SCHMITT 17SEP2013		
		APVD M. SCHMITT 17SEP2013	NAME HEAT SINK ASSEMBLY 100 GIG PLUGGABLE	
TOLERANCES UNLESS OTHERWISE SPECIFIED:		PRODUCT SPEC	SIZE CAGE CODE DRAWING NO RESTRICTED TO	
0 PLC ±	1 PLC ±.5	APPLICATION SPEC	A200779 C-2274283 -	
2 PLC ±.25	3 PLC ±.125	WEIGHT	SCALE 1.000 SHEET 2 OF 3 REV C	
4 PLC ±.0001	ANGLES ±	MATERIAL	CUSTOMER DRAWING	
FINISH				

4

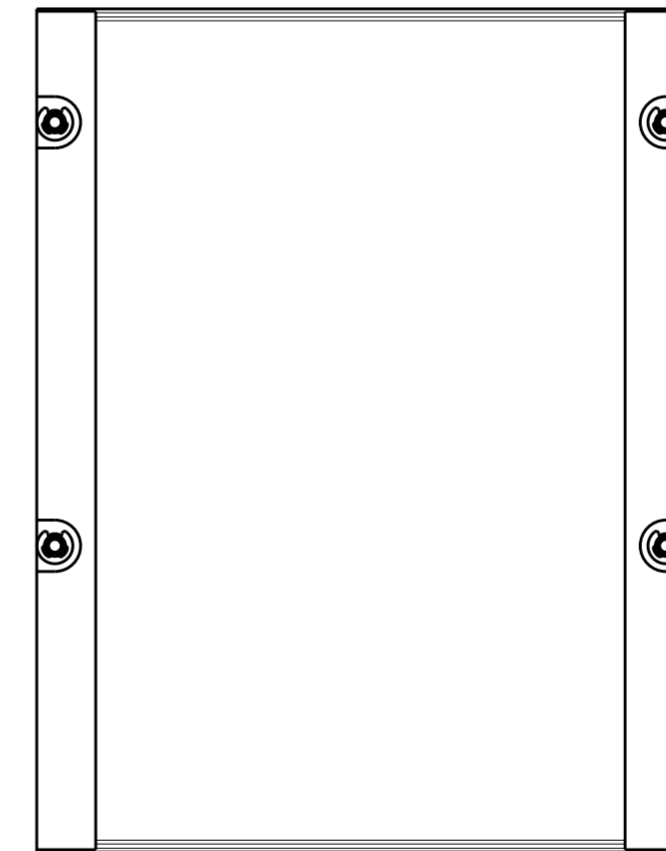
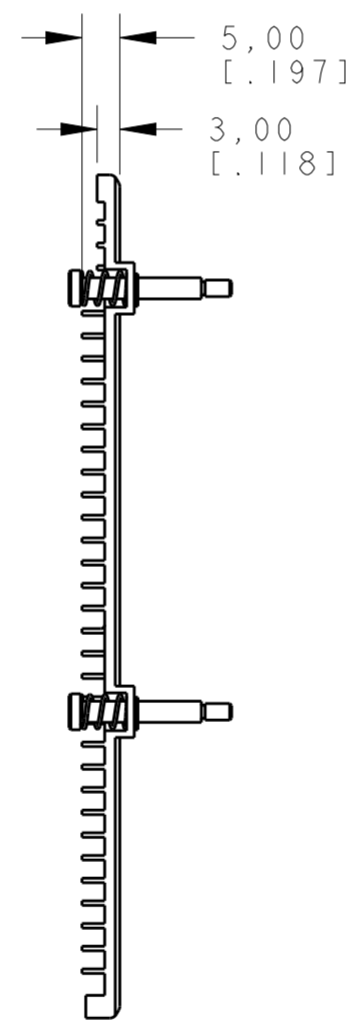
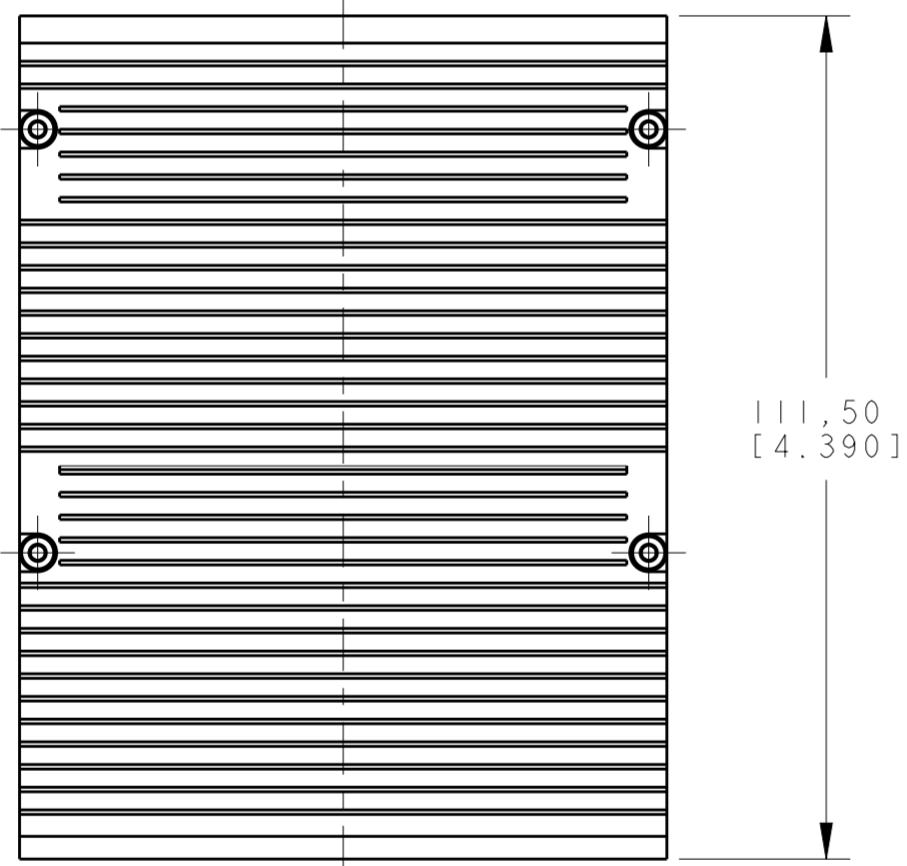
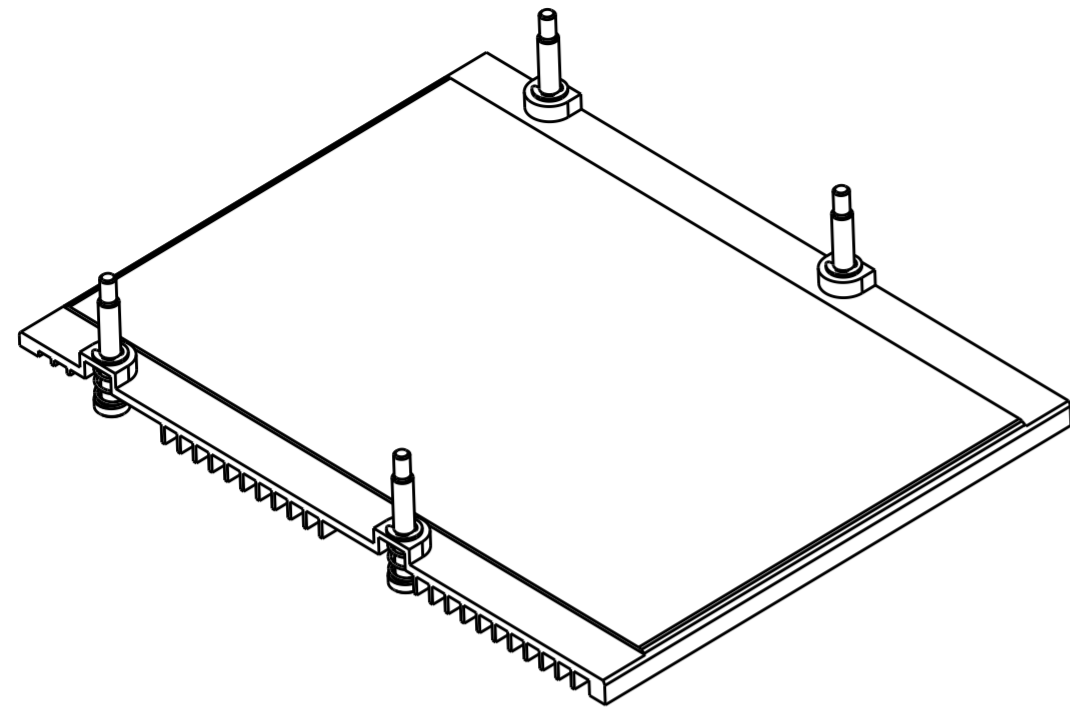
3

2


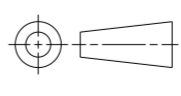
1

THIS DRAWING IS UNPUBLISHED. RELEASED FOR PUBLICATION 20
 © COPYRIGHT 20 BY - ALL RIGHTS RESERVED.

LOC		DIST		REVISIONS			
P	LTR	DESCRIPTION	DATE	DWN	APVD		
-	-	SEE SHEET 1	-	-	-		



2274283-5 AS SHOWN
 UNSPECIFIED DIMENSIONS REFER 2274283-1

THIS DRAWING IS A CONTROLLED DOCUMENT.		DWN C. VALENTINE 17SEP2013	 TE Connectivity	
DIMENSIONS:		CHK M. SCHMITT 17SEP2013		
mm	TOLERANCES UNLESS OTHERWISE SPECIFIED:	APVD M. SCHMITT 17SEP2013	NAME HEAT SINK ASSEMBLY 100 GIG PLUGGABLE	
	0 PLC ± 1 PLC ±0.5 2 PLC ±0.25 3 PLC ±0.125 4 PLC ±0.0001 ANGLES ±1° FINISH	PRODUCT SPEC -	SIZE -	
MATERIAL	material_2	APPLICATION SPEC -	CAGE CODE A200779	DRAWING NO C-2274283
finish_spec_2		WEIGHT -	RESTRICTED TO -	SCALE 1.000 SHEET 3 OF 3 REV C
CUSTOMER DRAWING				

单击下面可查看定价，库存，交付和生命周期等信息

[>>TE Connectivity\(泰科\)](#)