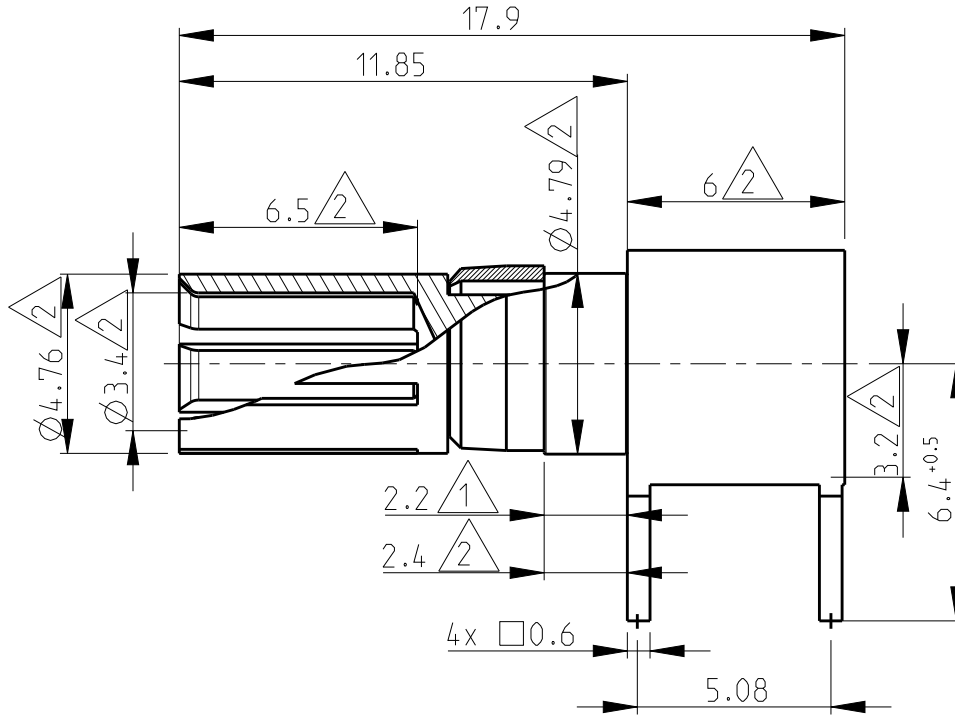
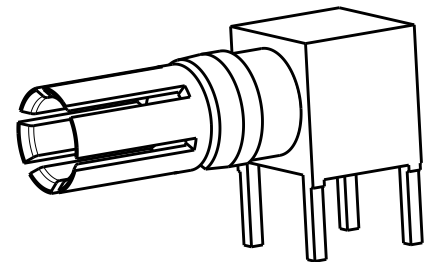


LOC	DIST	REVISIONS					
GW	-	P	LTR	DESCRIPTION	DATE	DWN	APVD
			A2	ECR-13-009232	10JUN2013	ET	TK



4) Application : DIN 41612 type M

- Measured with spring moved towards mating face.
- Max dimensions.
- Min dimension.



3:1

Cross reference table

Old part number	TE part number	Current	Material	Plating
C42334-A347-A194	2-1393589-9	40 A	CuBe	1 μm Au or Pd in contact area

1:1



DIMENSIONS: mm	DWN B. Lenvain	19APR2001	MATERIAL	-	FINISH	-
	CHK K. Mattheeuws	19APR2001	TE Connectivity			
TOLERANCES UNLESS OTHERWISE SPECIFIED:	APVD R. Leeman	19APR2001				
0 PLC ±	PRODUCT SPEC	-	NAME High current socket with PCB connection			
1 PLC ±	-	-				
2 PLC ±	APPLICATION SPEC	-	SIZE	CAGE CODE	DRAWING NO	RESTRICTED TO
3 PLC ±	-	-	A 4	00779	©=2-1393589-9	-
4 PLC ±	WEIGHT	-	CUSTOMER DRAWING			
ANGLES ±	-	-				
			SCALE	5/1	SHEET	1 OF 1
			REV A2			

单击下面可查看定价，库存，交付和生命周期等信息

[>>TE Connectivity\(泰科\)](#)