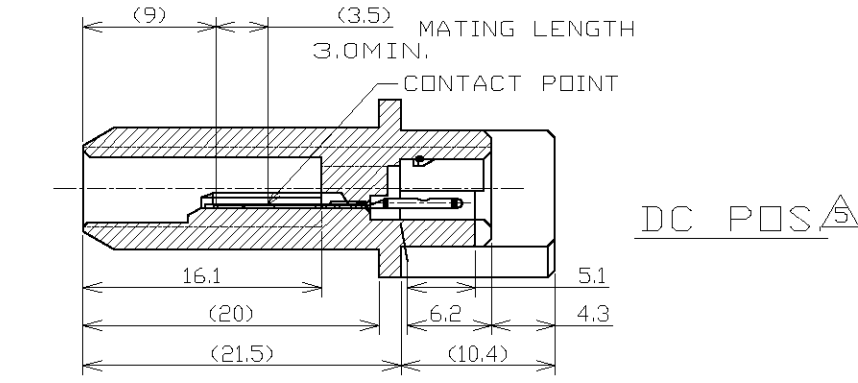
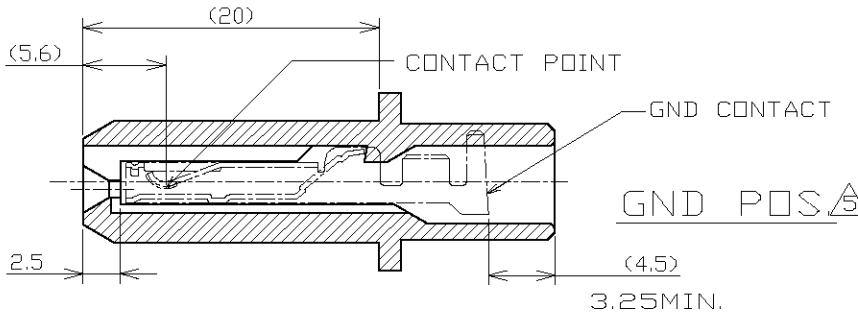
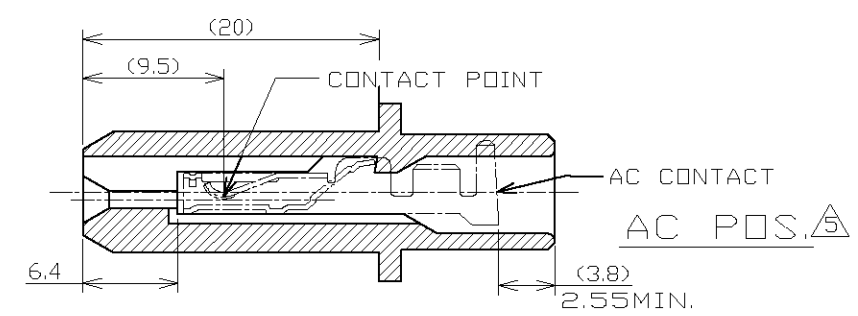
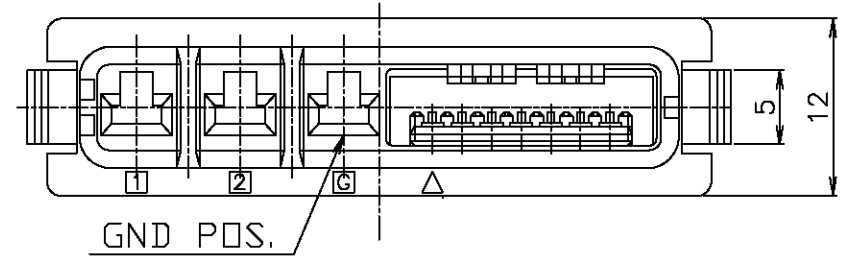
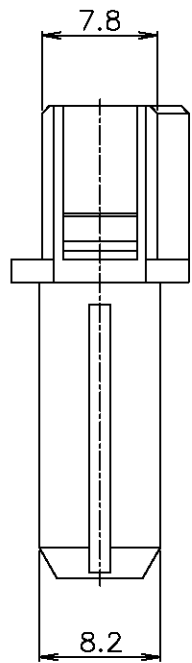
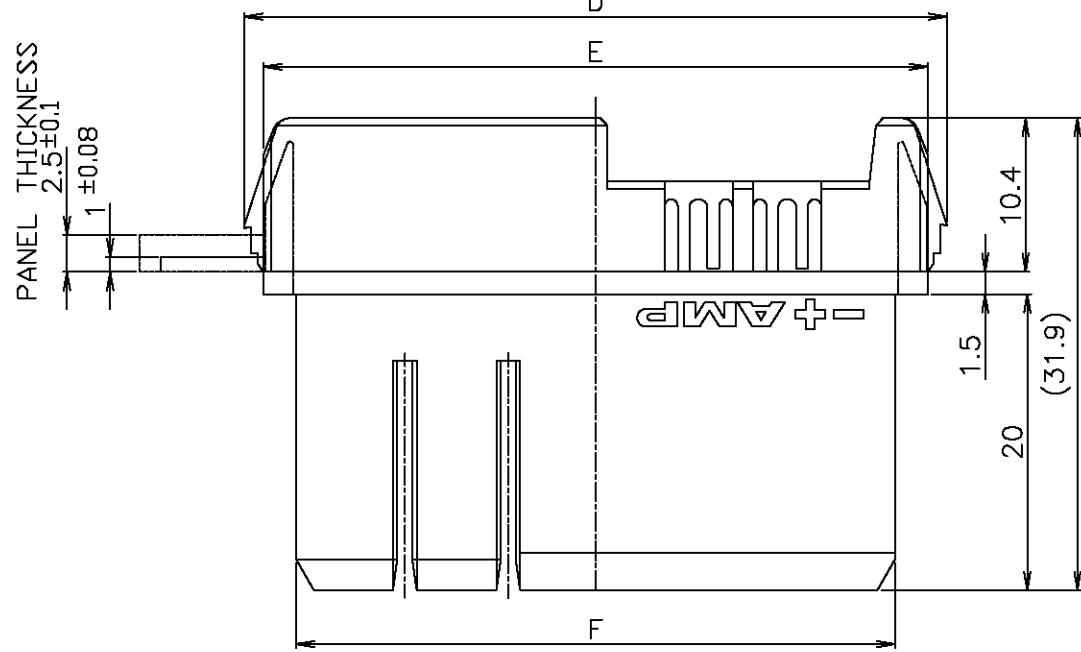
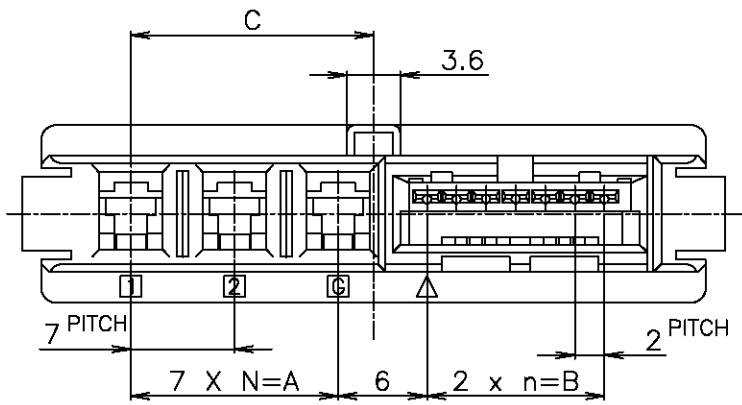


THIS DRAWING IS UNPUBLISHED. RELEASED FOR PUBLICATION
 © COPYRIGHT BY TYCO ELECTRONICS CORPORATION. ALL RIGHTS RESERVED.

LOC	DIST	REVISIONS			
P	LTR	DESCRIPTION	DATE	DWN	APVD
ES	00	B	REVISED FB00-0217-04	16DEC04	H.H I.E



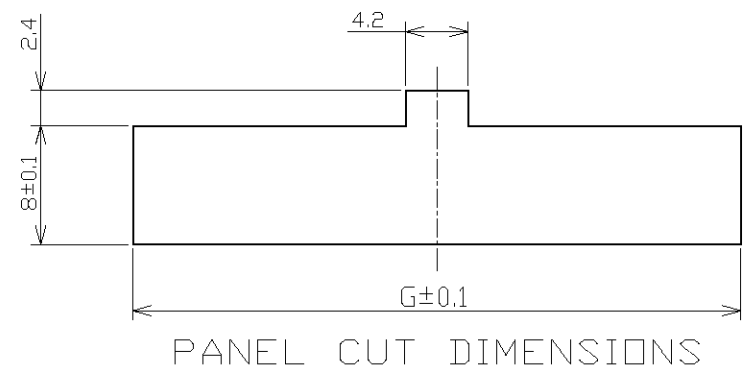
NOTES
 1. MATERIAL
 HOUSING: THERMO PLASTIC (BLACK)
 CONTACT: COPPER ALLOY
 2. CONTACT FINISH
 MATING SIDE: NICKEL PL.
 ALL OVER GOLD PL.
 CT MATING SIDE: NICKEL PL.
 ALL OVER MATTE TIN PL.
 3. APPLIED AC CONTACT P/N

FINISH	AWG	P/N
TIN PL.	#16~20	1-179316-2
Au PL.	#16~20	179316-4

4. APPLIED GND CONTACT P/N

FINISH	AWG	P/N
TIN PL.	#16~20	1-316458-2
Au PL.	#16~20	316458-4

△ AC: POWER CONTACT (UNLOADED)
 GND: GROUND CONTACT (UNLOADED)
 DC: SIGNAL CONTACT (PRELOADED)



MT TYPE: 173977-7	CLIMPII TYPE: 178228-7	2-292189-3	45.1	40.5	44.9	47.5	16.4	12	14	6	2	DC7 GND1 AC2	1-292192-3
APPLIED CT CONN P/N	MATING COUNTER P/N	G	F	E	D	C	B	A	n	N	POS	PART NO.	

THIS DRAWING IS A CONTROLLED DOCUMENT.

DWN	J.JIANG	05FEB03
CHK	S.YAO	05FEB03
APVD	T.SASAKI	05FEB03
PRODUCT SPEC	108-60023	
APPLICATION SPEC		
WEIGHT		
CUSTOMER DRAWING		

tyco Tyco Electronics Corporation
 Shanghai, P.R.China, 200233

NAME: HYBRID SF DRAWER CONN. RECEPTACLE ASSEMBLY

SIZE	CAGE CODE	DRAWING NO	RESTRICTED TO
A3	00779	C-292192	-

SCALE: 2:1 SHEET 1 OF 1 REV B

单击下面可查看定价，库存，交付和生命周期等信息

[>>TE Connectivity\(泰科\)](#)